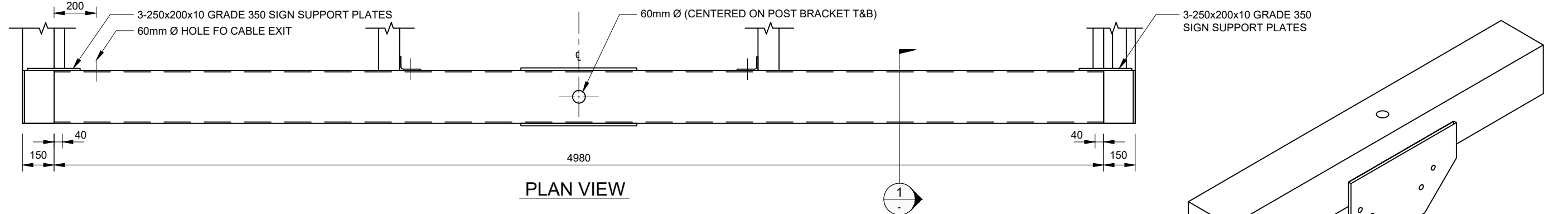
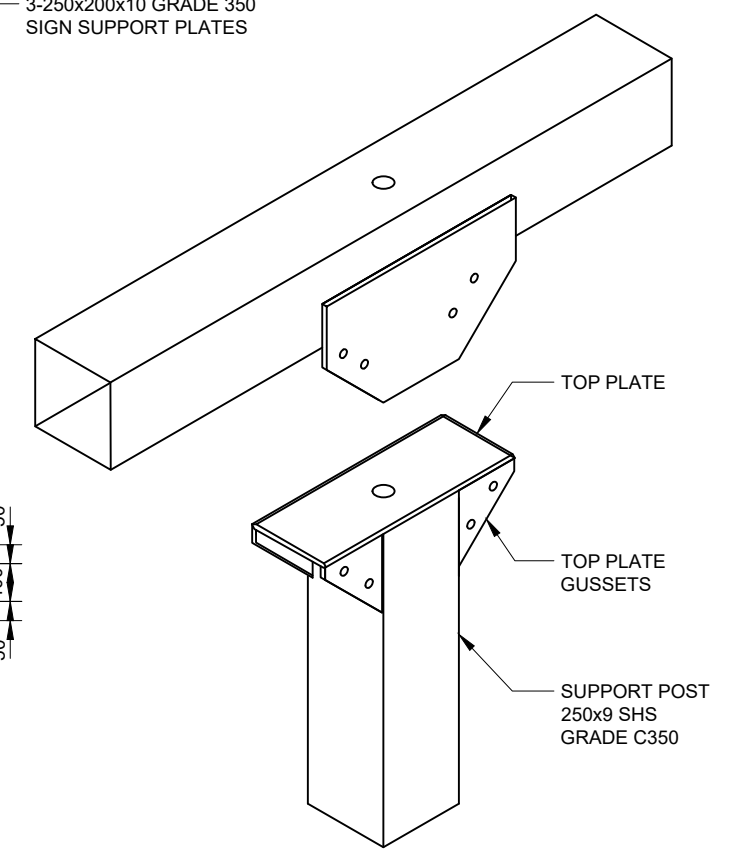


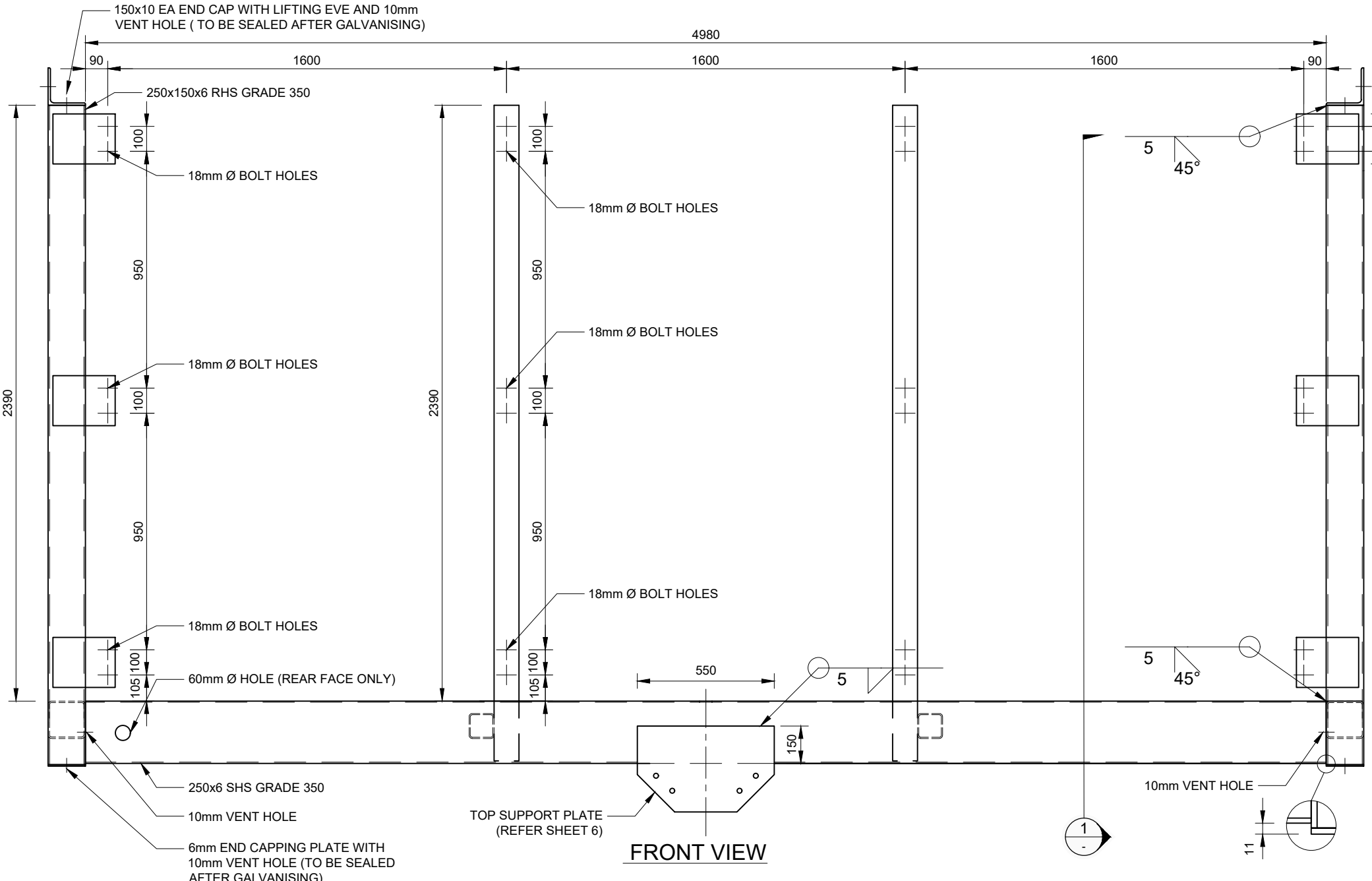
200 mm  
100  
50  
10 mm  
0



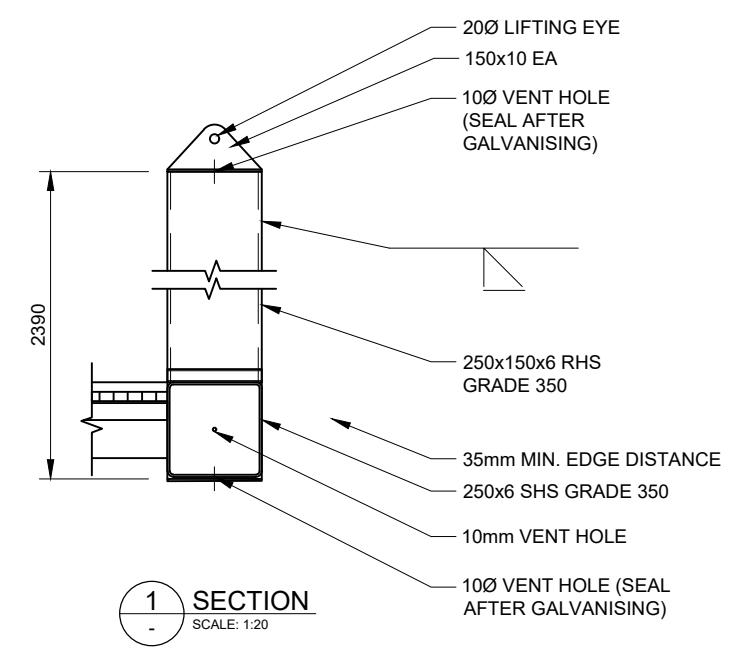
**PLAN VIEW**



**SUPPORT POST CONNECTION**



**FRONT VIEW**

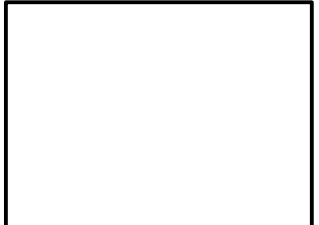


**SECTION 1**  
SCALE: 1:20

**FABRICATED VMS ENCLOSURE SUPPORT**  
SCALE: 1:20

DISCLAIMER: SEE SHEET 000-0000-0-7104-00

NO.	DESCRIPTION	BY	CHECKED	DATE
DESIGN		AFR		03.14
DRAWN		AST	AFR	09.14
REC'D		T.L.HARRIS		11/06/18
APPROVED		P.ROONEY		06/18
R1	ADAPTED FROM 6/1277/41/7604/6 R1	TLH	11/06/18	This drawing and its contents are the property of Opus International Consultants Limited. Any unauthorised employment or reproduction, in full or in part, is forbidden.
	AMENDMENT	APP'D	DATE	



TITLE NZ TRANSPORT AGENCY VARIABLE MESSAGE SIGNS VMS SUPPORT STRUCTURE-STANDARD DESIGN-RURAL					
RURAL VMS SWARCO TYPE A VMS SUPPORT FRAME DETAILS					
STATUS	STANDARD	FILE	000-000-0-7104-85-R1		
SCALE	AS SHOWN @ A3	PLOT DATE	15/06/18 @ 10:15	FEATURE IDENTIFIER	1/1061/370
				CODE	7104
				SHEET	85
				REVISION	R1

14/06/2018 12:32

GRAPHIC SCALES