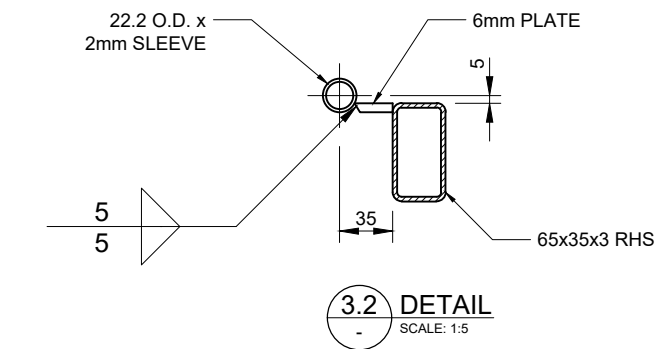
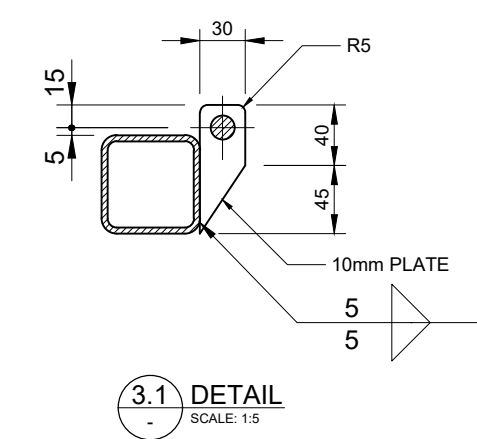
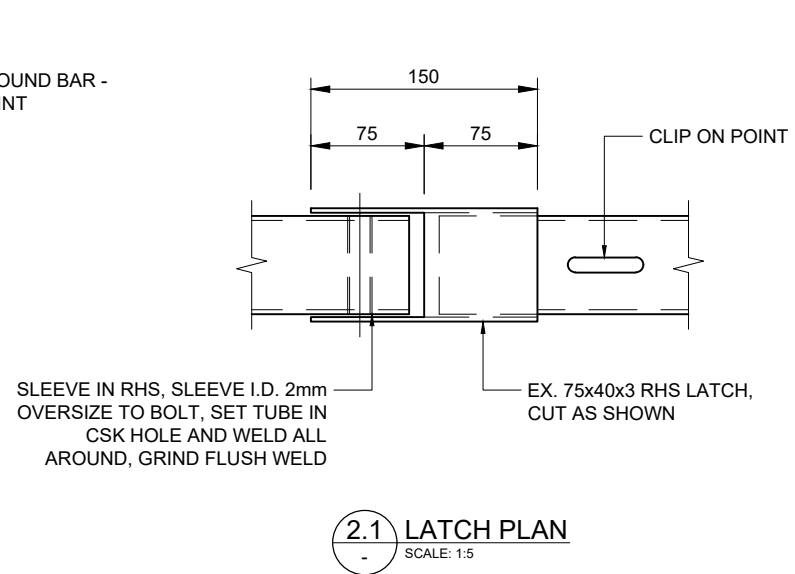
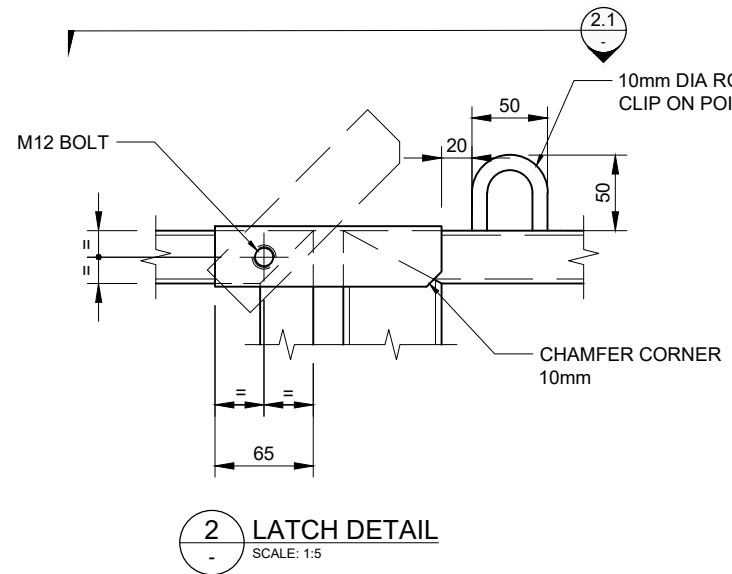
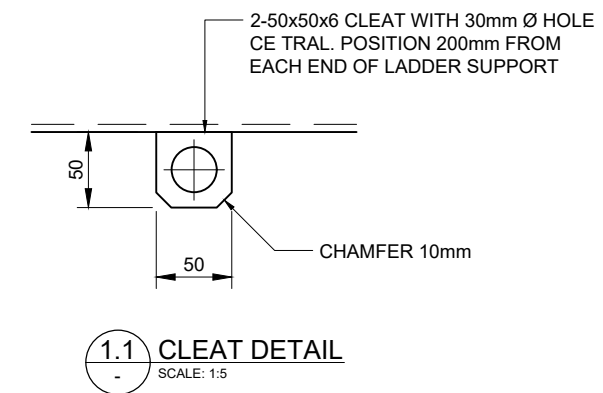
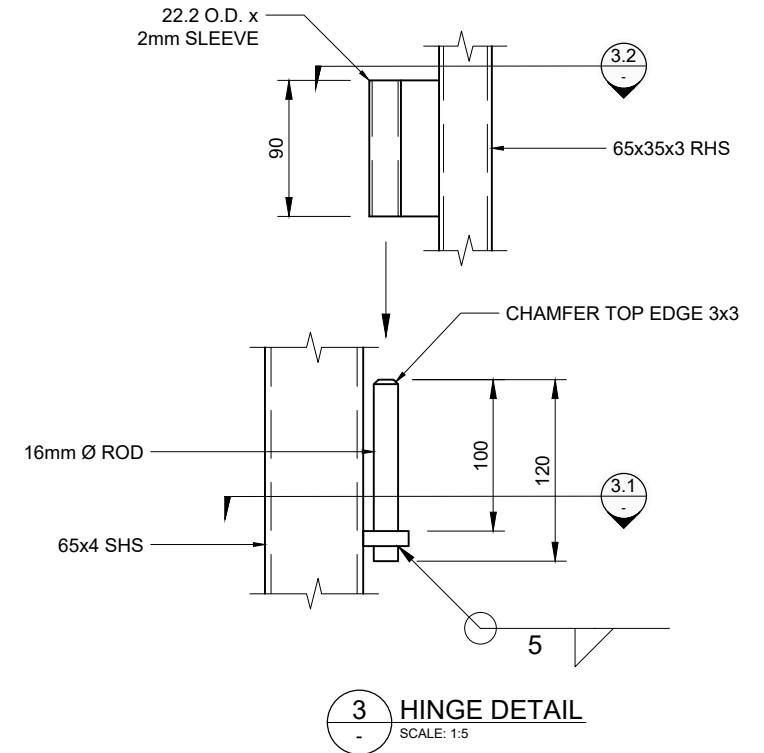
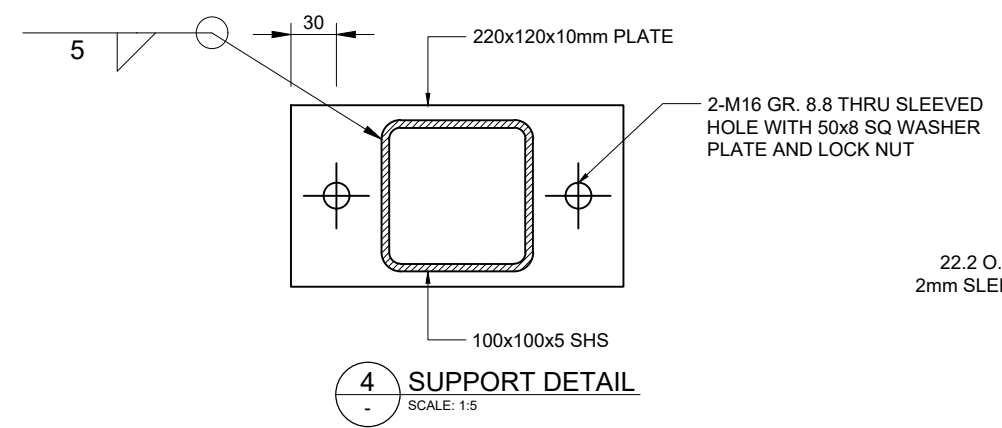
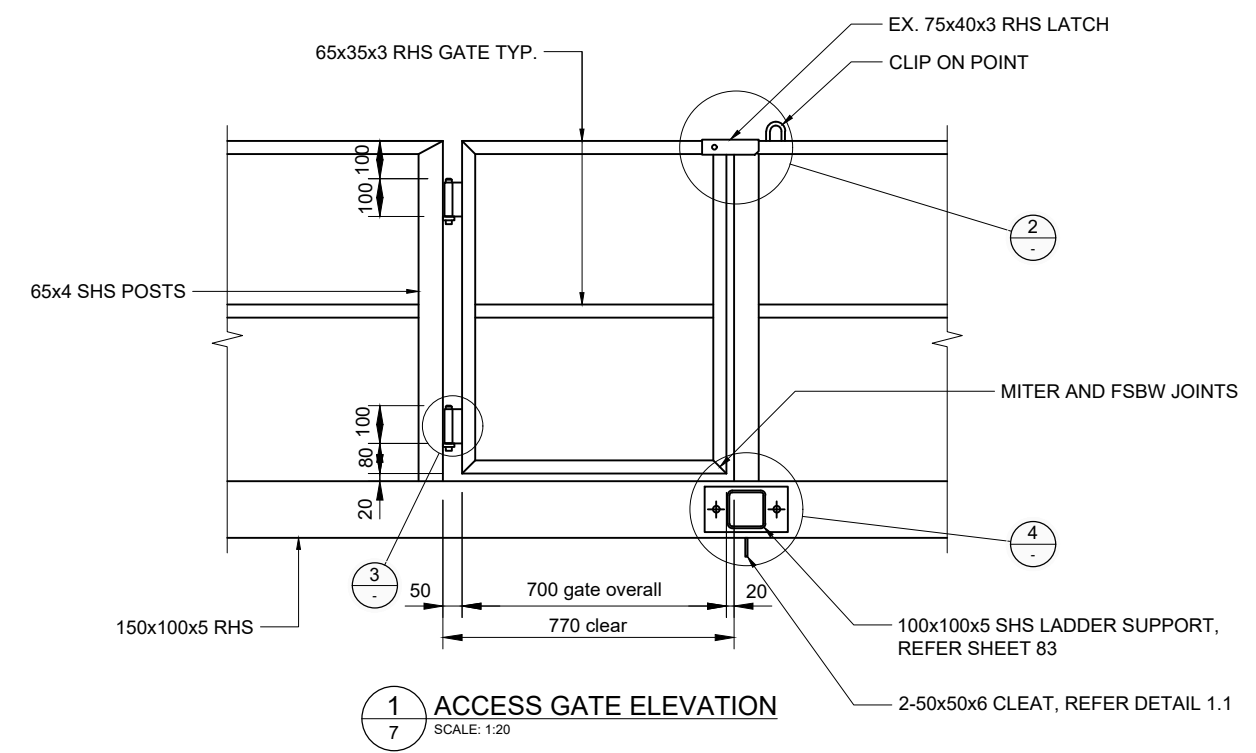
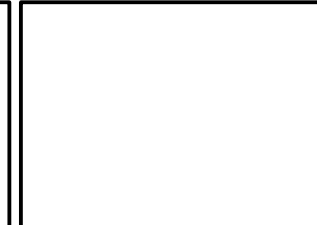


200 mm  
100  
50  
10 mm  
0



DISCLAIMER: SEE SHEET 000-0000-0-7104-00

NO.	REVISION	DATE	BY	CHECKED	DATE
DESIGN			AFR		03.14
DRAWN			AST	AFR	09.14
REC'D			T.L.HARRIS		11/06/18
APPROVED			P.ROONEY		06/18
R1	ADAPTED FROM 6/1277/41/7604/70 R1	11/06/18	TLH		
	AMENDMENT		APP'D	DATE	



Auckland Office  
+64 9 355 9500

PO BOX 5848  
AUCKLAND 1141  
New Zealand

TITLE NZ TRANSPORT AGENCY VARIABLE MESSAGE SIGNS VMS SUPPORT STRUCTURE-STANDARD DESIGN-RURAL					
RURAL VMS TYPE A & B SINGLE POST SUPPORT ACCESS GATE DETAILS					
STATUS	STANDARD	FILE	000-000-0-7104-84-R1		
SCALE	AS SHOWN @ A3	PLOT DATE	15/06/18 @ 10:15	FEATURE IDENTIFIER	1/1061/370
				CODE	7104
				SHEET	84
				REVISION	R1