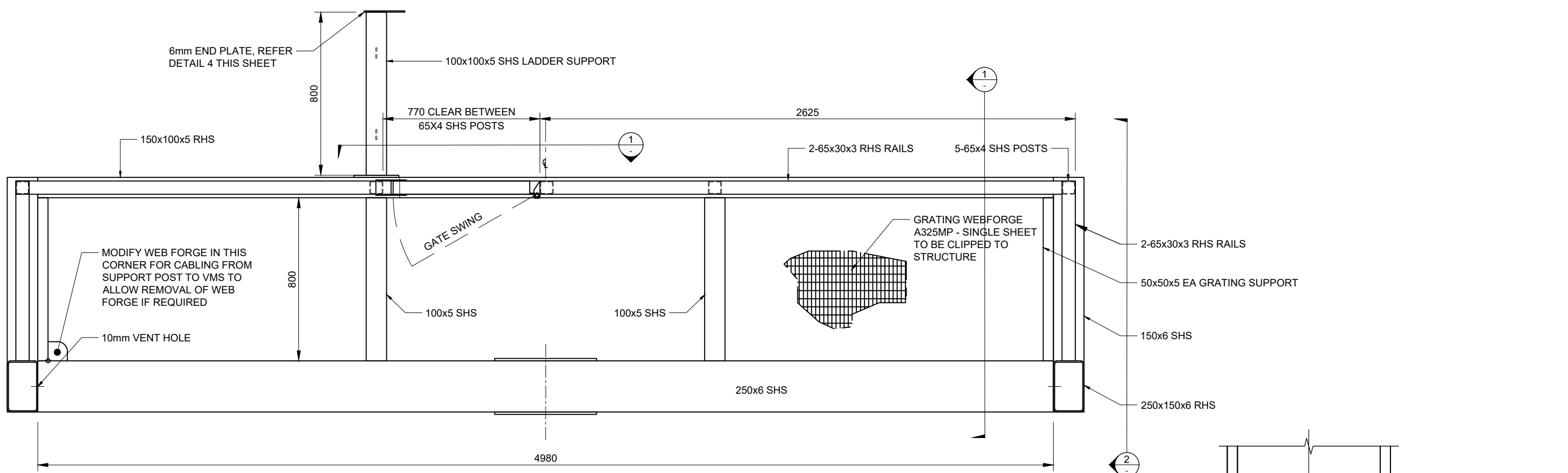
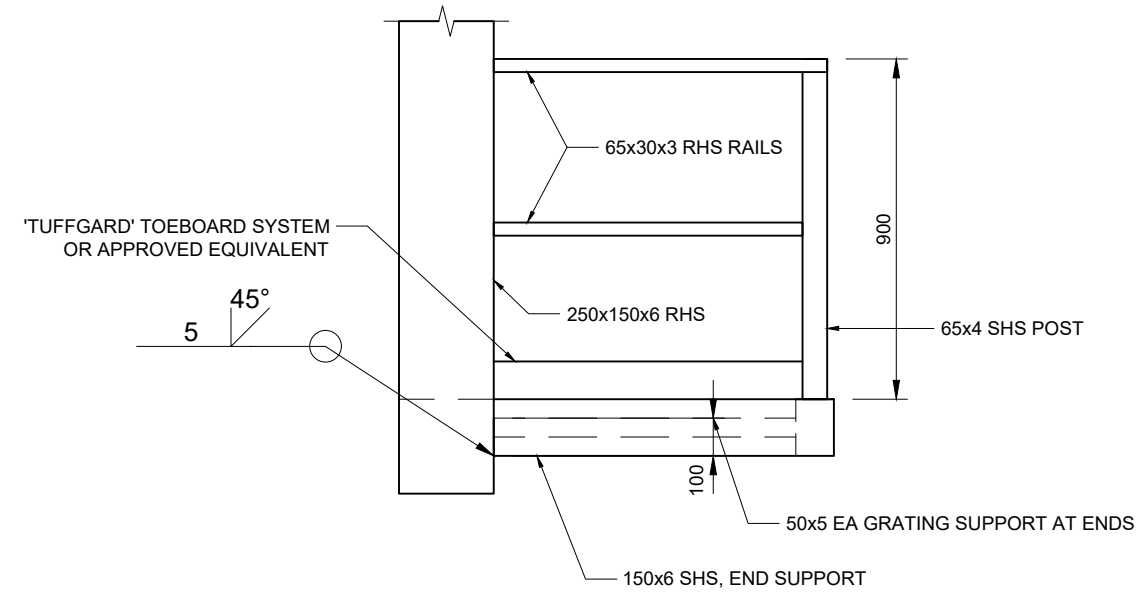


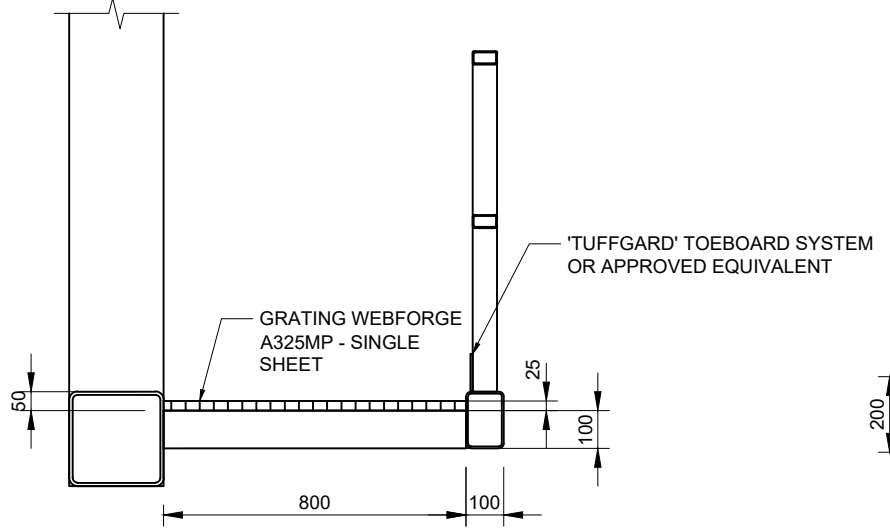
200 mm
100
50
10 mm
0



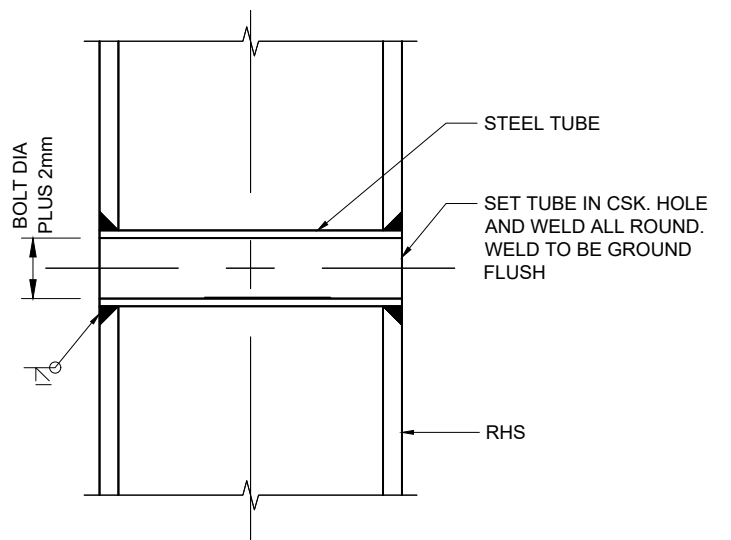
1 ACCESS PLATFORM PLAN
SCALE: 1:20



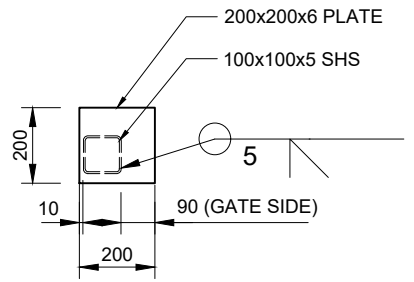
2 ELEVATION
SCALE: 1:20



3 SECTION
SCALE: 1:20



TYPICAL SLEEVED HOLE DETAIL
SCALE: 1:1



4 END PLATE
SCALE: 1:20

DISCLAIMER: SEE SHEET 000-0000-0-7104-00

NO.	REVISION	DATE	BY	CHECKED	DATE
	DESIGN		AFR		03.14
	DRAWN		AST	AFR	09.14
	REC'D		T.L.HARRIS		11/06/18
	APPROVED		P.ROONEY		06/18
R1	ADAPTED FROM 6/1277/41/7604/69 R2	11/06/18	TLH		
	AMENDMENT	APP'D DATE			

This drawing and its contents are the property of Opus International Consultants Limited. Any unauthorised employment or reproduction, in full or in part, is forbidden.



Auckland Office
+64 9 355 9500

PO BOX 5848
AUCKLAND 1141
New Zealand

TITLE NZ TRANSPORT AGENCY VARIABLE MESSAGE SIGNS VMS SUPPORT STRUCTURE-STANDARD DESIGN-RURAL					
RURAL VMS TYPE A & B SINGLE POST SUPPORT ACCESS PLATFORM DETAILS					
STATUS STANDARD		FILE 000-000-0-7104-83-R1			
SCALE AS SHOWN @ A3	PLOT DATE 15/06/18 @ 10:15	FEATURE IDENTIFIER 1/1061/370	CODE 7104	SHEET 83	REVISION R1