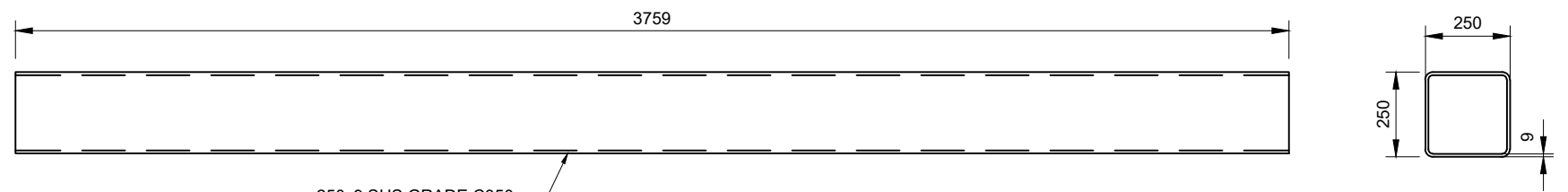
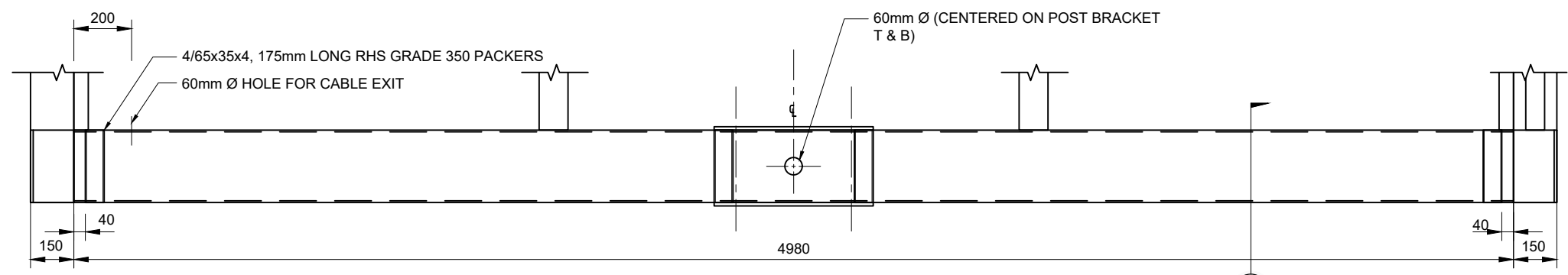


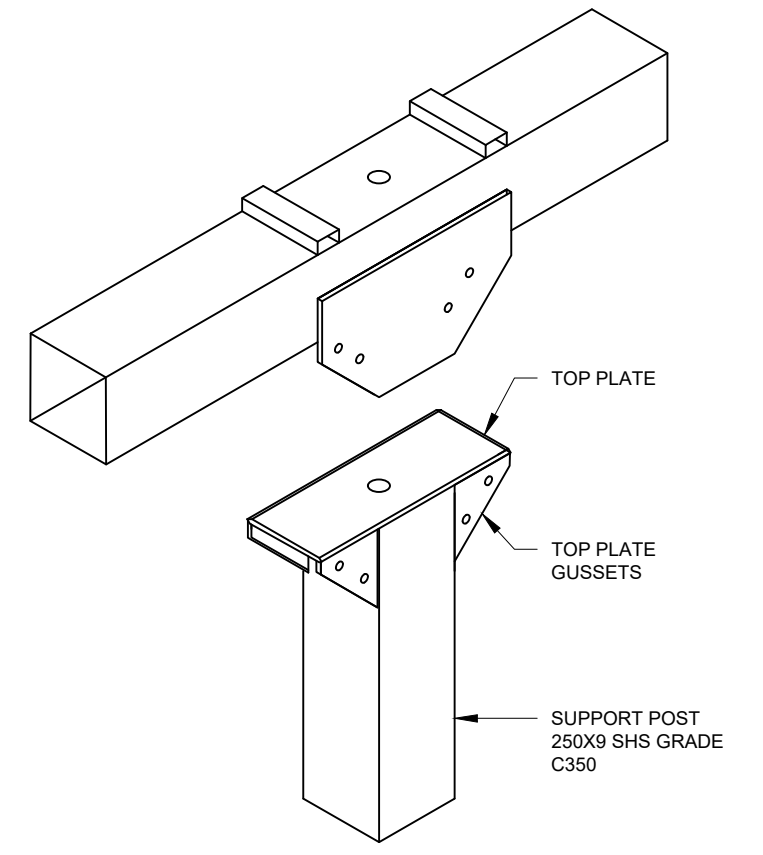
200 mm  
100  
50  
10 mm  
0



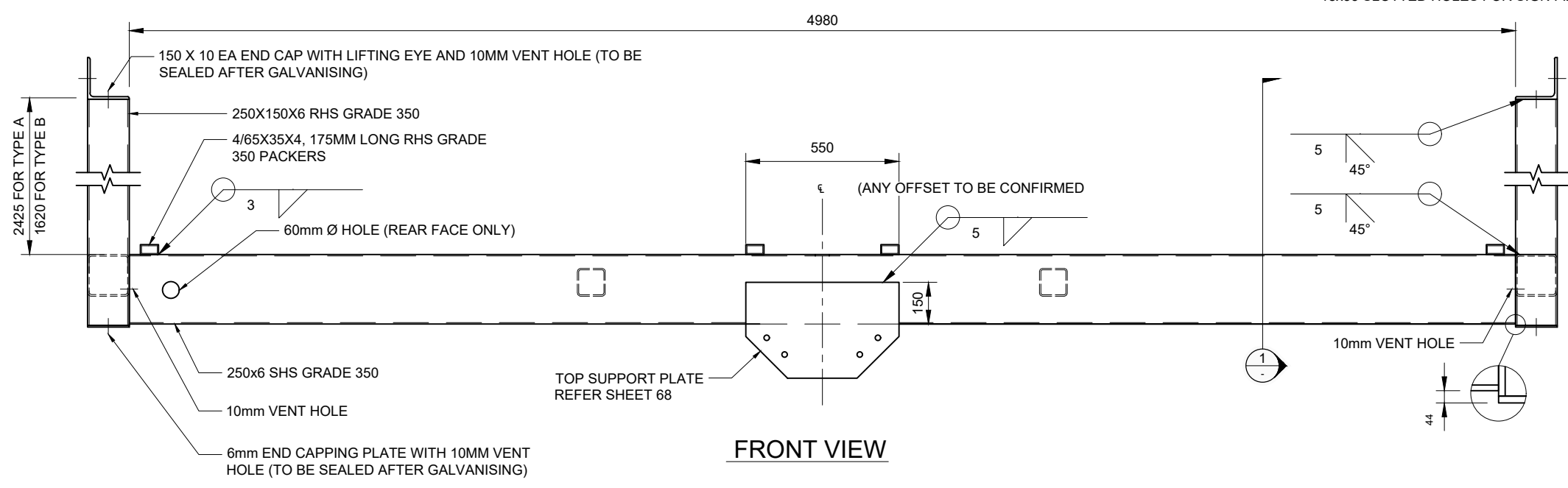
250x9 SHS GRADE C350  
**SUPPORT POST**



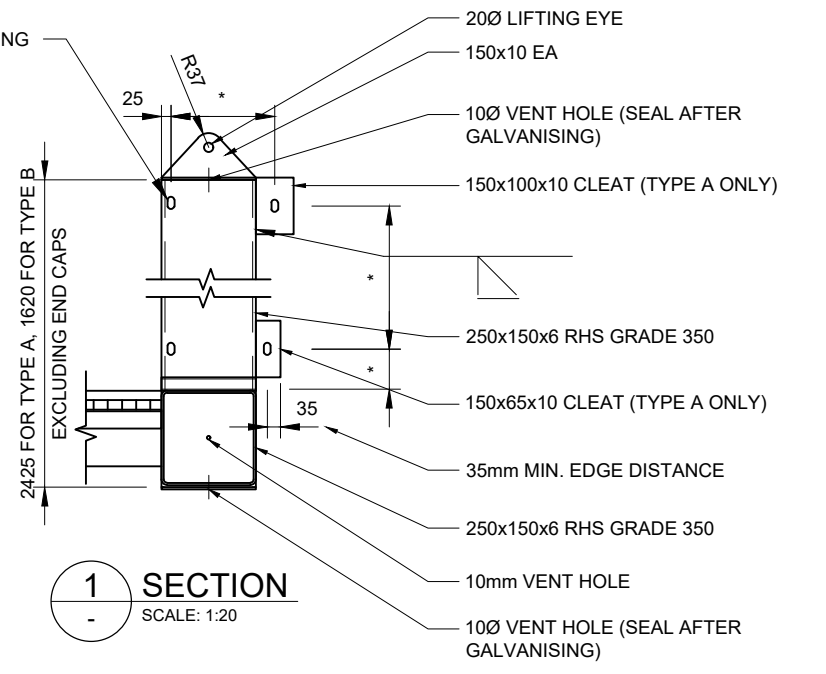
**PLAN VIEW**



**SUPPORT POST CONNECTION**



**FRONT VIEW**



**1 SECTION**  
SCALE: 1:20

**FABRICATED VMS ENCLOSURE SUPPORT**  
SCALE: 1:20

- STEEL FABRICATION NOTES**
- REFER TO SHEET 68 FOR STRUCTURAL STEEL WORK FABRICATION NOTES
  - CONFIRM DIMENSIONS WITH SIGN SUPPLIER

DISCLAIMER: SEE SHEET 000-0000-0-7104-00

NO.	BY	CHECKED	DATE
DESIGN	AFR		03.14
DRAWN	AST	AFR	09.14
REC'D	T.L.HARRIS		11/06/18
APPROVED	P.ROONEY		06/18
R1	ADAPTED FROM 6/1277/41/7604/67 R3	TLH	11/06/18
	AMENDMENT	APP'D	DATE

This drawing and its contents are the property of Opus International Consultants Limited. Any unauthorised employment or reproduction, in full or in part, is forbidden.



**Auckland Office**  
+64 9 355 9500

**PO BOX 5848**  
AUCKLAND 1141  
New Zealand

TITLE							
NZ TRANSPORT AGENCY VARIABLE MESSAGE SIGNS VMS SUPPORT STRUCTURE-STANDARD DESIGN-RURAL							
<b>RURAL VMS TYPE A &amp; B SINGLE POST SUPPORT SUPPORT FRAME DETAILS</b>							
STATUS				FILE			
STANDARD				000-000-0-7104-81-R1			
SCALE		PLOT DATE		FEATURE IDENTIFIER		CODE	SHEET
AS SHOWN @ A3		15/06/18 @ 10:15		1/1061/370		7104	81
							REVISION
							R1

14/06/2018 12:31