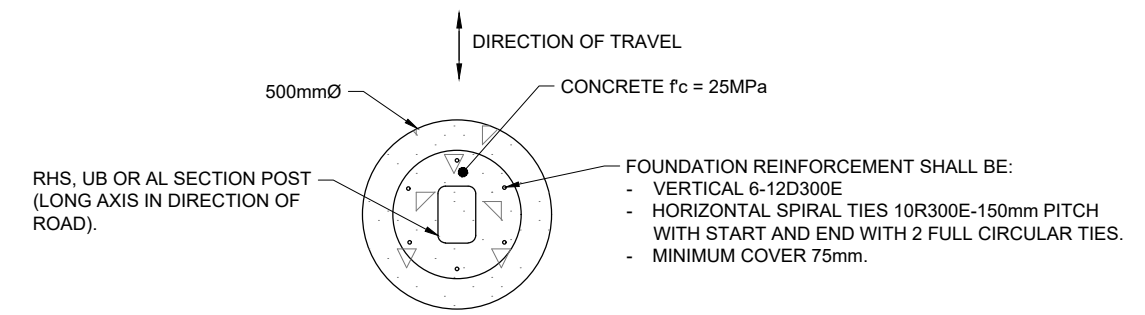
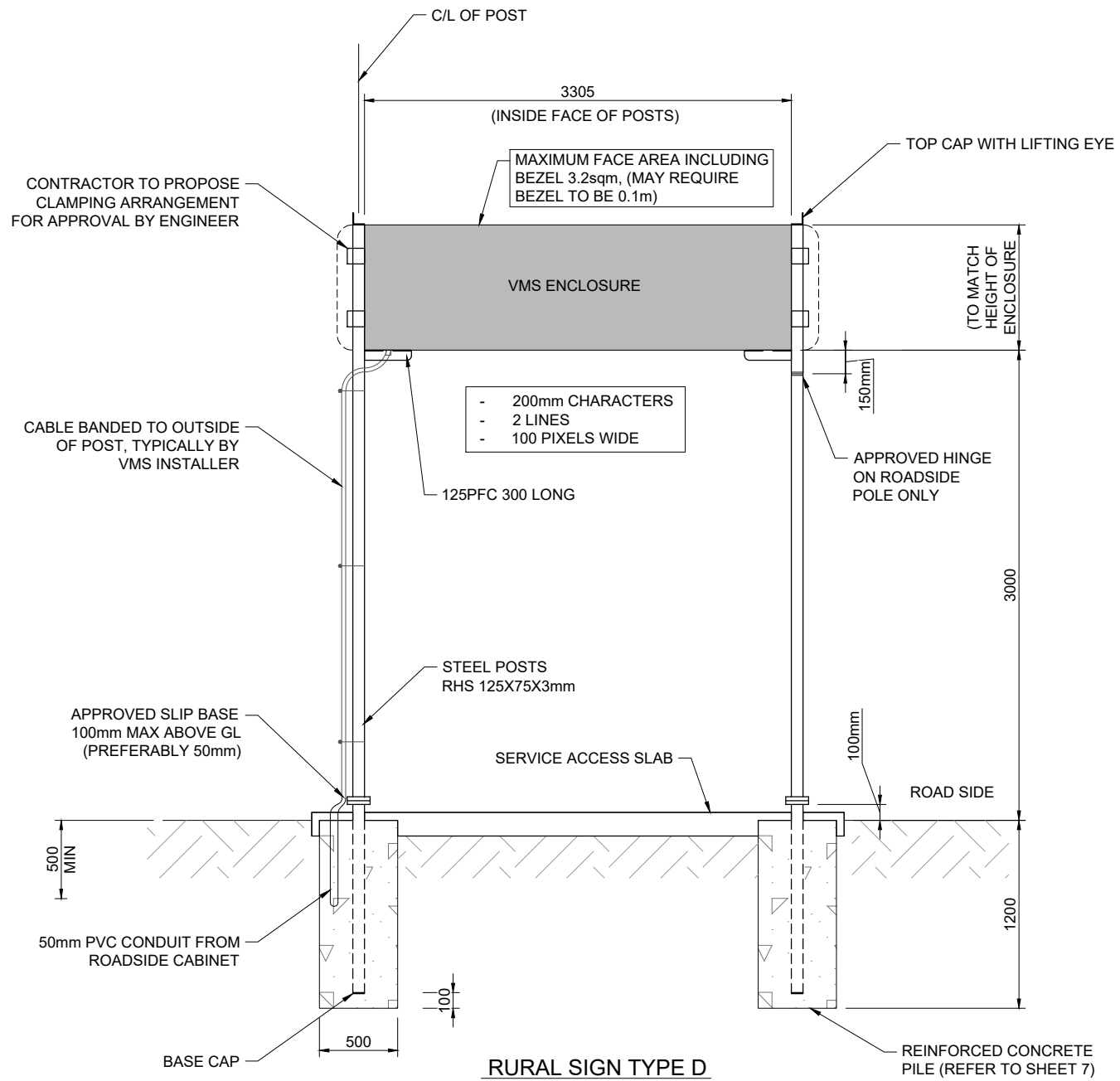
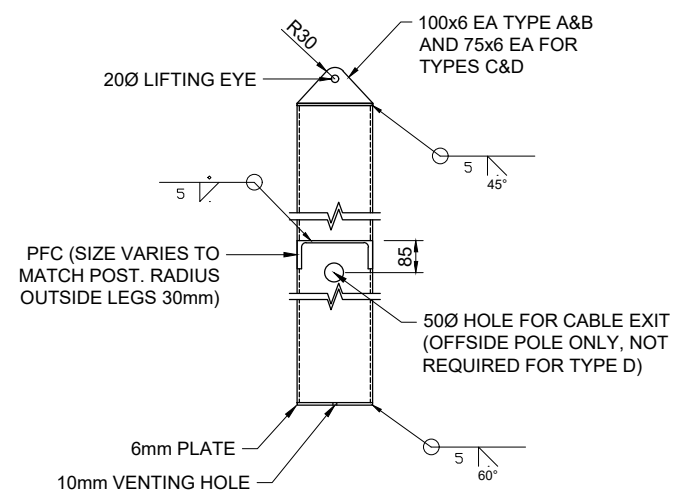


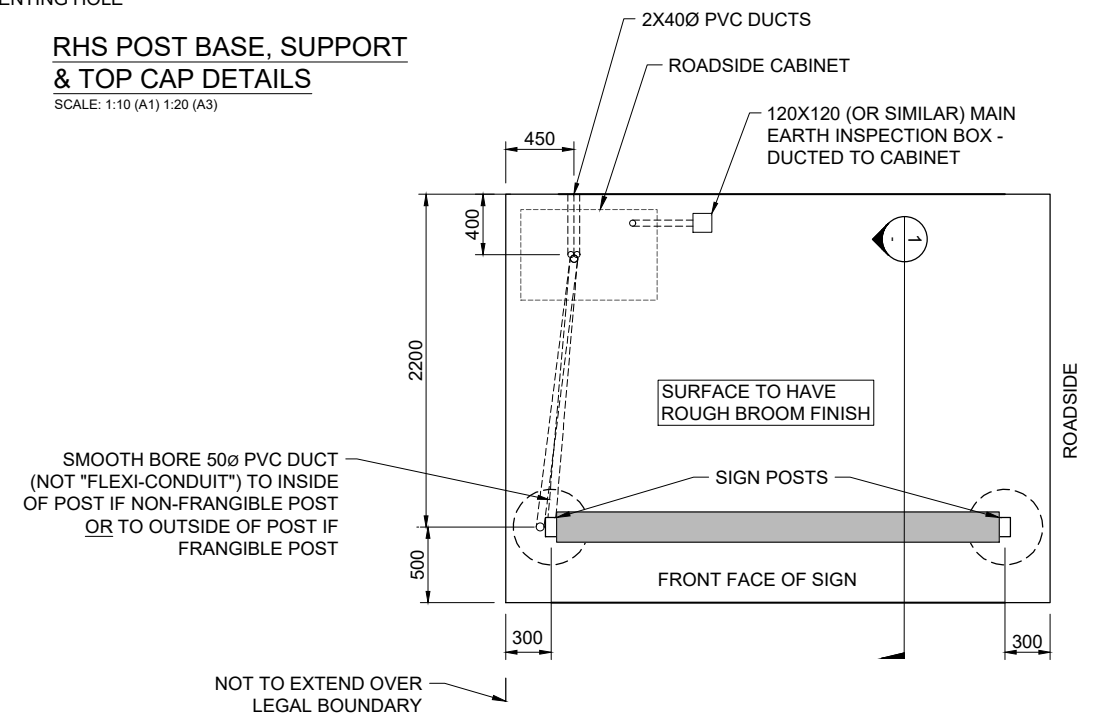
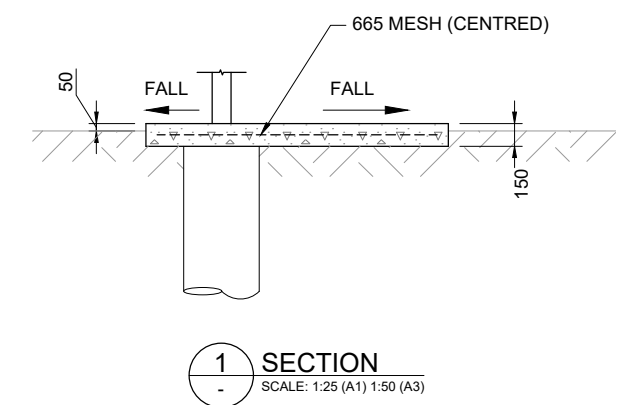
300mm
200
100
50
10mm
0



CONCRETE CYLINDER POST FOUNDATION
TYPICAL CROSS SECTION
SCALE: 1:10 (A1) 1:20 (A3)



RHS POST BASE, SUPPORT & TOP CAP DETAILS
SCALE: 1:10 (A1) 1:20 (A3)



TYPICAL SERVICE ACCESS SLAB
SCALE: 1:25 (A1) 1:50 (A3)

DESIGN CRITERIA

1. SITE DESIGN WIND SPEED ≤ 49 m/s (IN ACCORDANCE WITH AS/NZS 1170.2:2002 CLAUSE 2.2)
2. FOUNDATION MATERIAL TO BE IN ACCORDANCE WITH VMS SPECIFICATION NOTES
3. THIS SIGN IS SUITABLE FOR USE OUTSIDE THE CLEAR ZONE OR BEHIND A PROTECTIVE BARRIER OR IN A CLEAR ZONE IF SPEED ENVIRONMENT IS $< 70\text{km/h}$.
4. USE TYPE A/B JIG TO ACHIEVE PRECISE INSIDE MEASUREMENT BETWEEN THE SUPPORT POSTS.
5. REFER SHEET 79 FOR SPECIFICATION NOTES.

DISCLAIMER: SEE SHEET 000-0000-0-7104-00

BY	CHECKED	DATE
DESIGN N.GARNETT	8/06	11/10
DRAWN JWF		11/10
REC'D T.L. HARRIS		10/06/18
APPROVED P.ROONEY		6/18
R1 ADOPTED FROM 6/1277/41/7604/6R9 AND 7R9	TLH	10/06/18
AMENDMENT	APP'D	DATE

This drawing and its contents are the property of Opus International Consultants Limited. Any unauthorised employment or reproduction, in full or in part, is forbidden.



WSP | **OPUS**

Auckland Office
+64 9 355 9500

PO BOX 5848
AUCKLAND 1141
New Zealand

TITLE NZ TRANSPORT AGENCY INTELLIGENT TRANSPORT SYSTEM STANDARDS	
RURAL TYPE D VMS DUAL POST SUPPORT STRUCTURE	
STATUS STANDARD	FILE 000-0000-0-7104-78-R1
SCALE AS SHOWN	PLOT DATE 15/06/18 @ 10:20
FEATURE IDENTIFIER 1/1061/370	CODE 7104
SHEET 78	REVISION R1