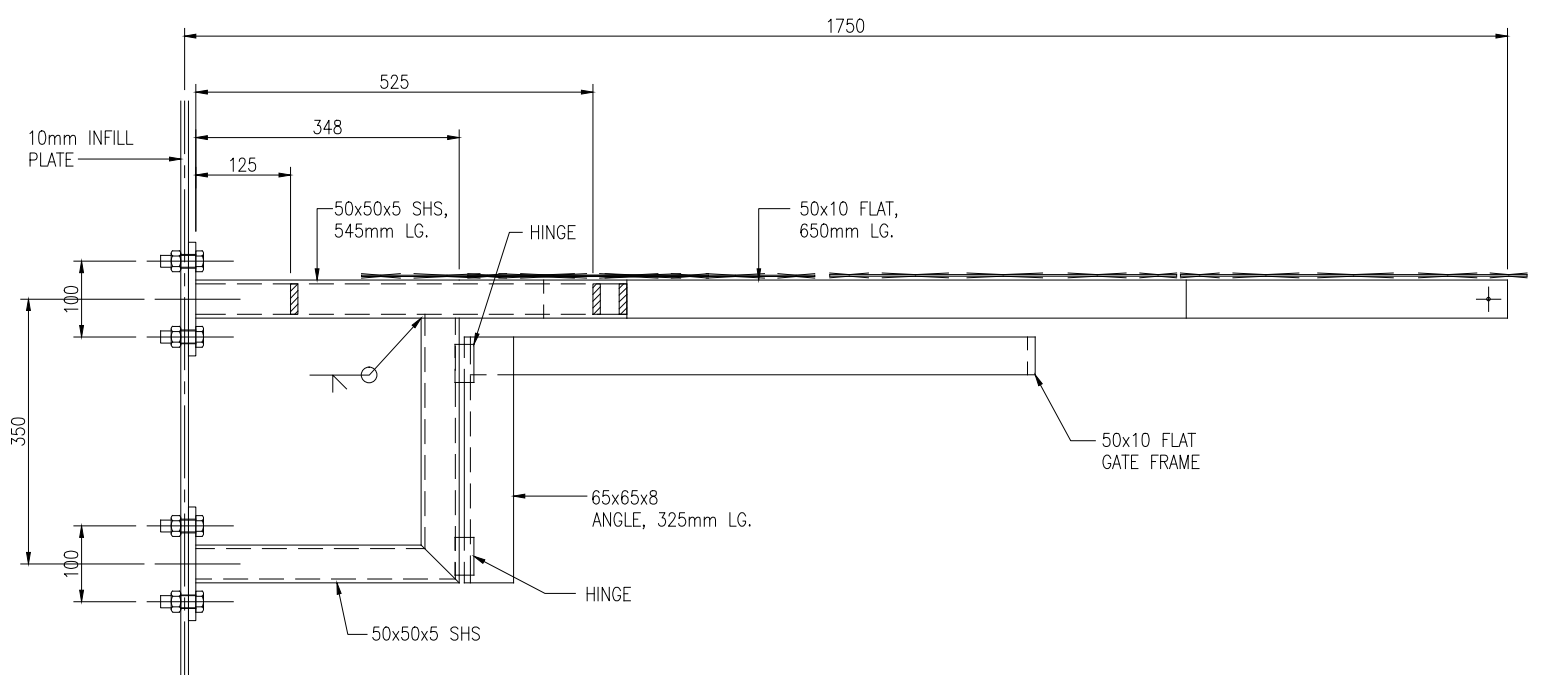
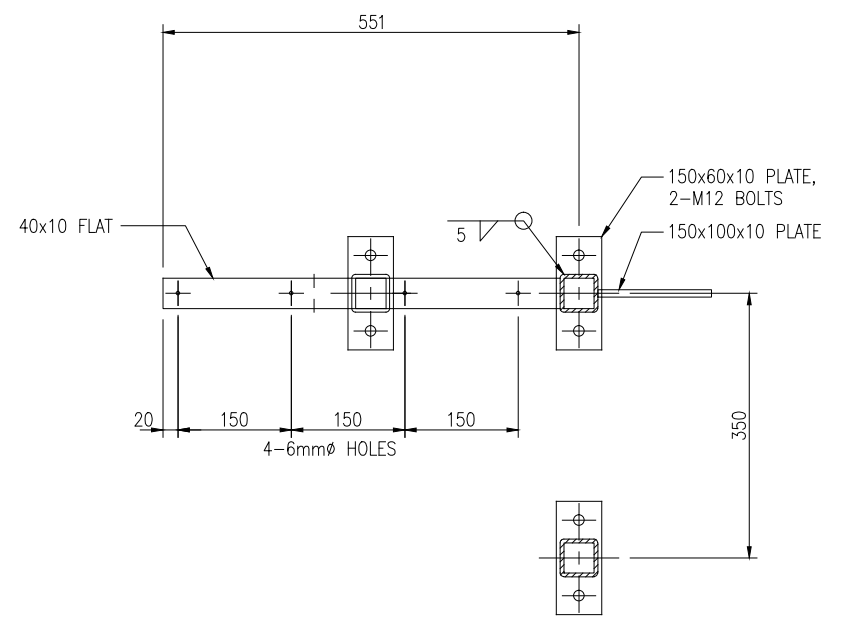


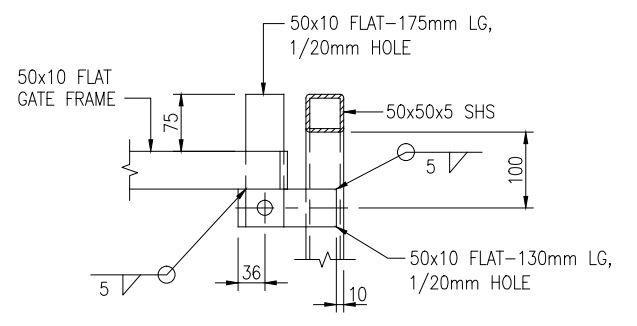
1 PLAN OF GATE AND VANDAL DETERRENT BARRIER MOUNTED ON COLUMN
1:10



A SECTION
1:5



B SECTION
1:5

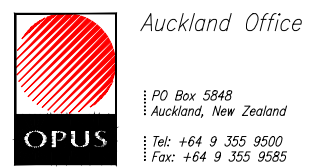


C SECTION
1:5

DISCLAIMER: SEE SHEET 000-0000-0-7104-00

AMENDMENT	APP'D	DATE	BY	CHECKED	DATE
			DESIGN	TLH	11/10
			DRAWN	JWF	11/10
			REC'D	T.L. HARRIS	5/6/15
			APPROVED	S.D. HEWETT	6/15

This drawing and its contents are the property of Opus International Consultants Limited. Any unauthorised employment or reproduction, in full or in part, is forbidden.



TITLE NZ TRANSPORT AGENCY INTELLIGENT TRANSPORT SYSTEM STANDARDS					
VMS CANTILEVER GANTRY VANDAL BARRIER & GATE					
STATUS	STANDARD	FILE	000-0-0000-7104-72-R0		
SCALE	PLOT DATE	FEATURE IDENTIFIER	CODE	SHEET	REVISION
AS SHOWN (A1)	02/06/15 @ 15:11	1/1061/370	7104	72	R0