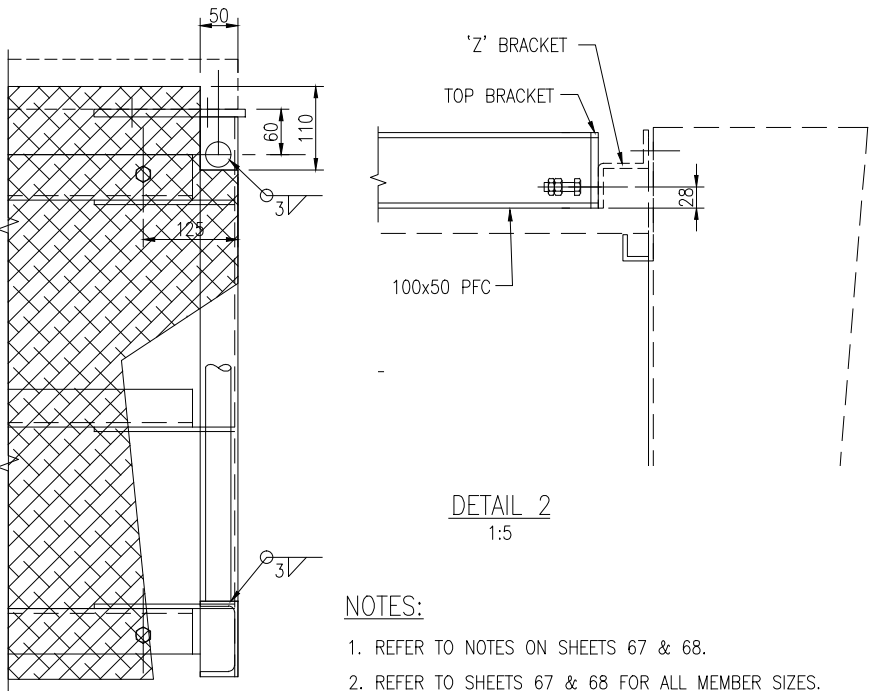
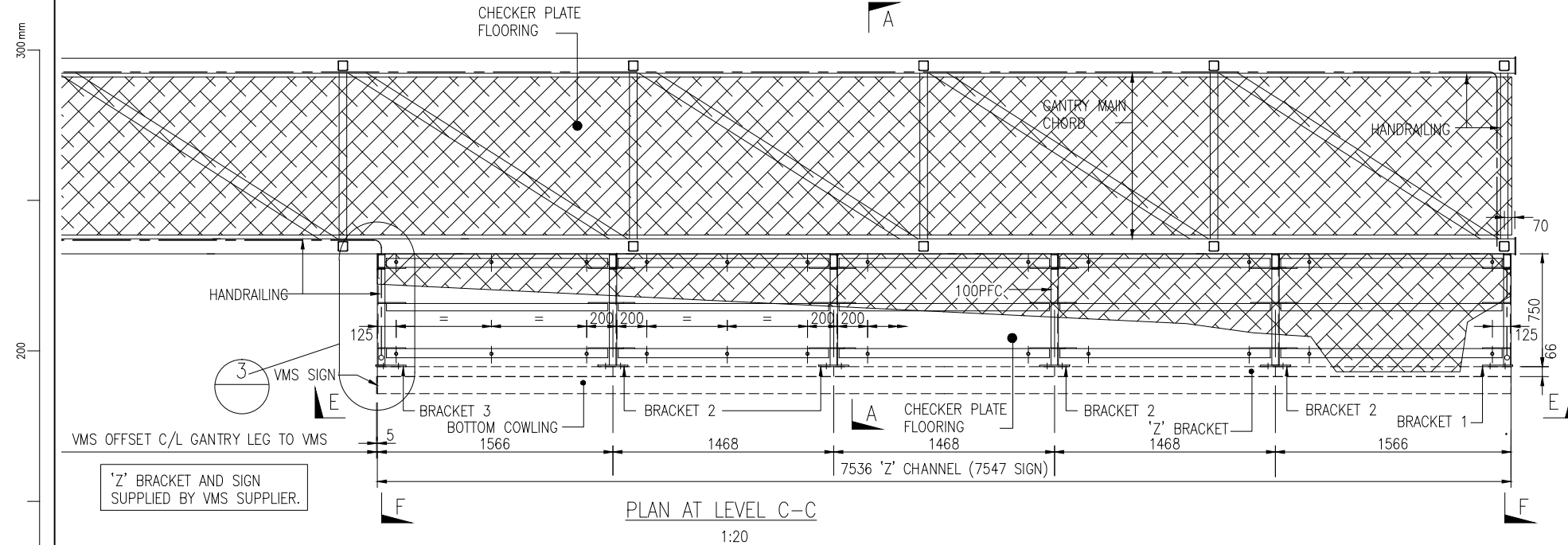


BRACKETS VIEWED ALONG E-E

BRACKETS 1T, 2T & 3T (TOP BRACKETS) SAME AS LOWER BRACKETS UNLESS SHOWN OTHERWISE

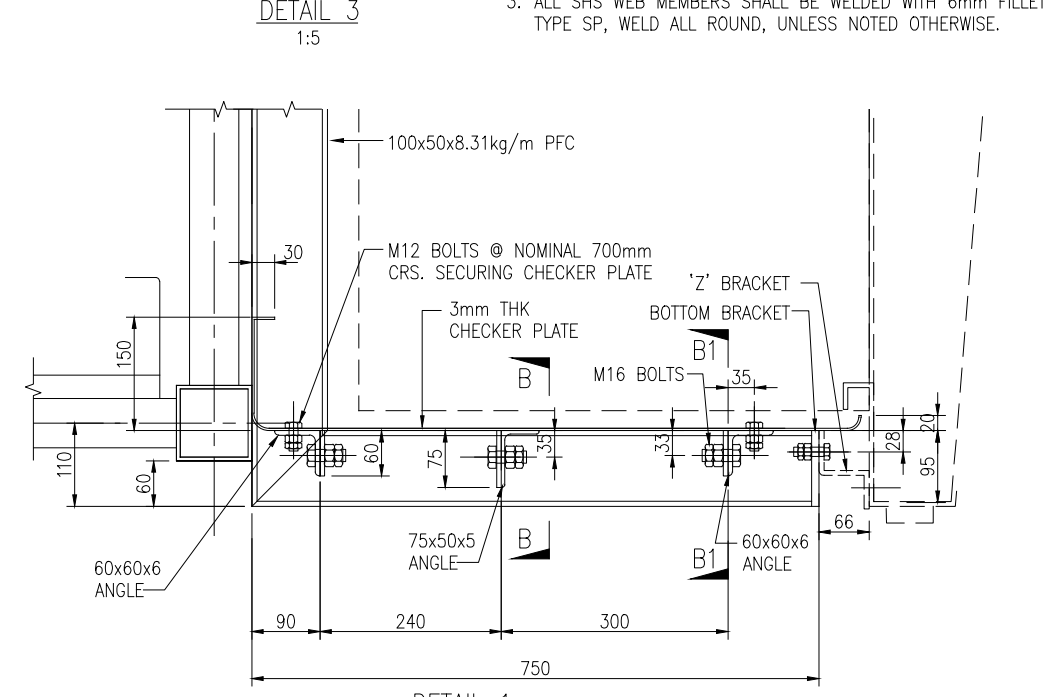
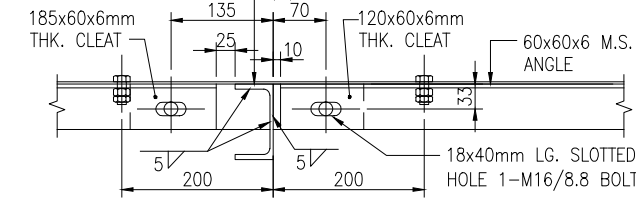
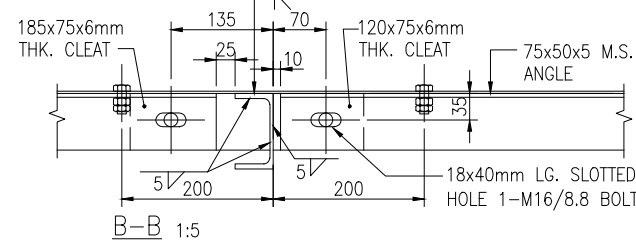
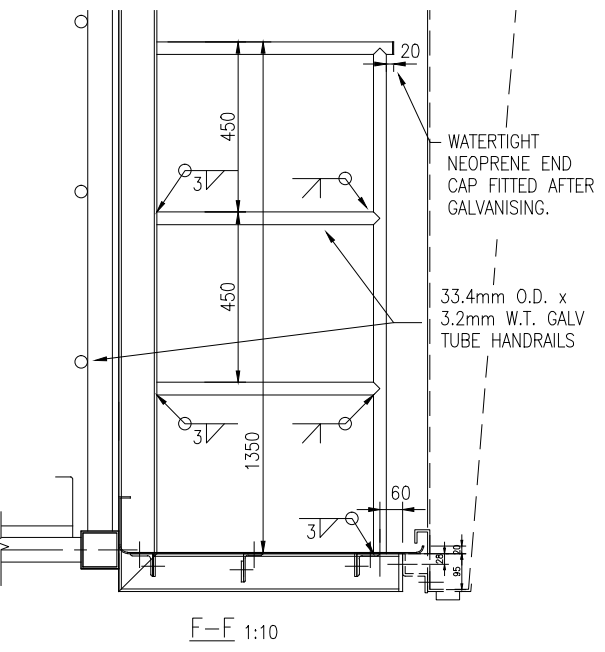
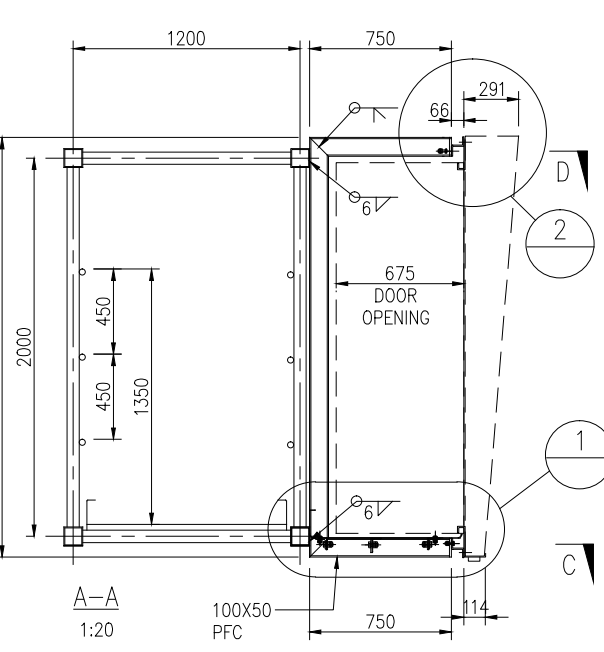


NOTES:

- REFER TO NOTES ON SHEETS 67 & 68.
- REFER TO SHEETS 67 & 68 FOR ALL MEMBER SIZES.
- ALL SHS WEB MEMBERS SHALL BE WELDED WITH 6mm FILLET TYPE SP, WELD ALL ROUND, UNLESS NOTED OTHERWISE.

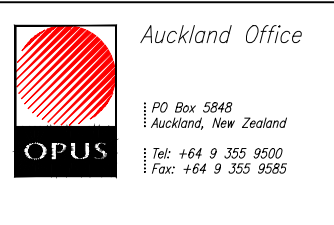
'Z' BRACKET AND SIGN SUPPLIED BY VMS SUPPLIER.

NOTE: DETAIL IS FOR VMS SHOWN ON SHEET 51. VMS EXTERNAL DIMENSIONS MOUNTING BOLT SIZES AND LOCATIONS AND ACCESS DOOR CLEARANCES TO BE PROVIDED BY VMS SUPPLIER.



DISCLAIMER: SEE SHEET 000-0000-0-7104-00

AMENDMENT	APP'D	DATE	BY	CHECKED	DATE
			DESIGN	TLH	11/10
			DRAWN	JWF	11/10
			REC'D	T.L. HARRIS	5/6/15
			APPROVED	S.D. HEWETT	6/15
This drawing and its contents are the property of Opus International Consultants Limited. Any unauthorised employment or reproduction, in full or in part, is forbidden.					



TITLE NZ TRANSPORT AGENCY INTELLIGENT TRANSPORT SYSTEM STANDARDS					
VMS CANTILEVER GANTRY - SIGN FRAME & WALKWAY					
STATUS	STANDARD	FILE	000-0-0000-7104-70-RO		
SCALE	PLOT DATE	FEATURE IDENTIFIER	CODE	SHEET	REVISION
AS SHOWN (A1)	04/06/15 @ 10:50	1/1061/370	7104	70	RO