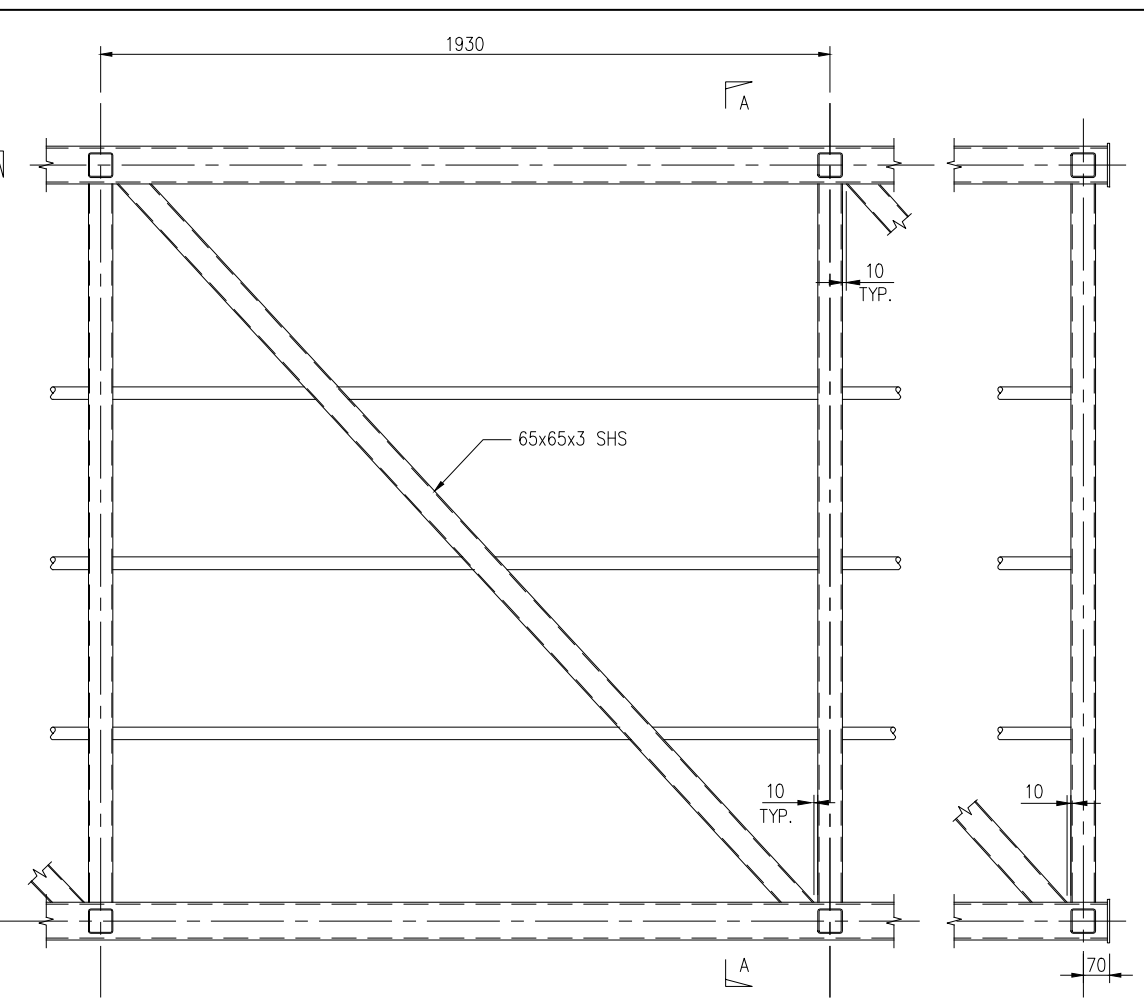
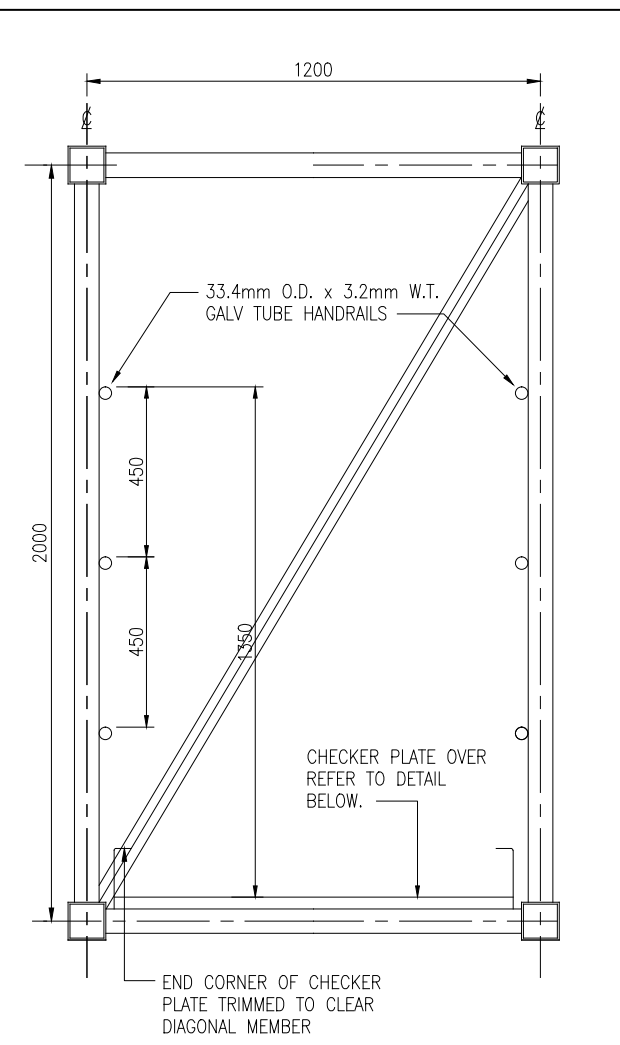


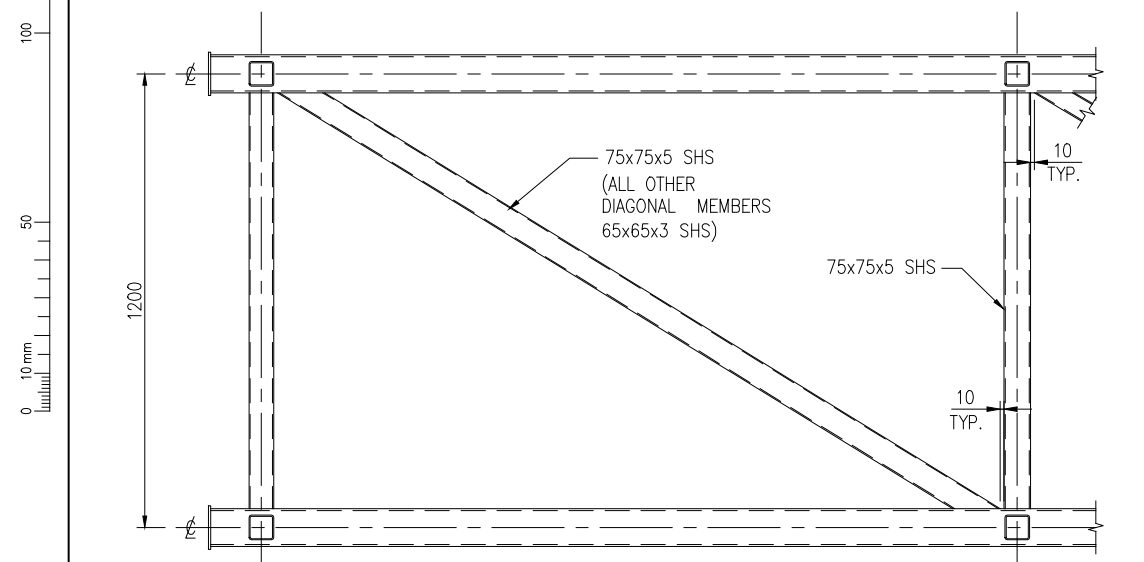
1 ELEVATION AT END OF BOX TRUSS (NEAR FACE-AS SHOWN. FAR FACE SIMILAR) 1:10



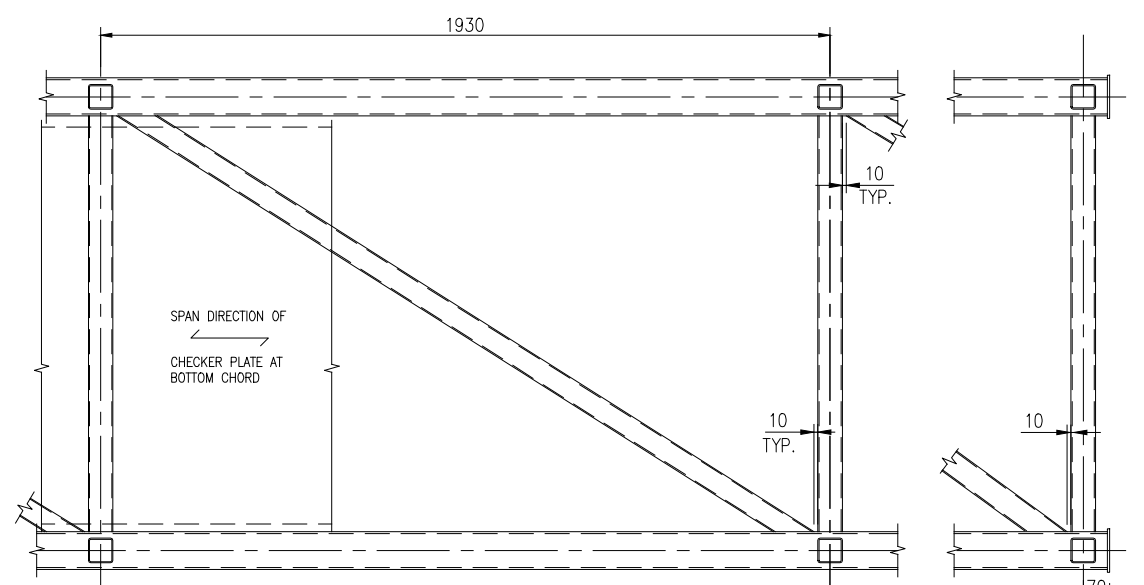
2 ELEVATION AT BOX TRUSS WITH TYPICAL WEB MEMBER CONNECTIONS. (NEAR FACE-AS SHOWN. FAR FACE SIMILAR) 1:10



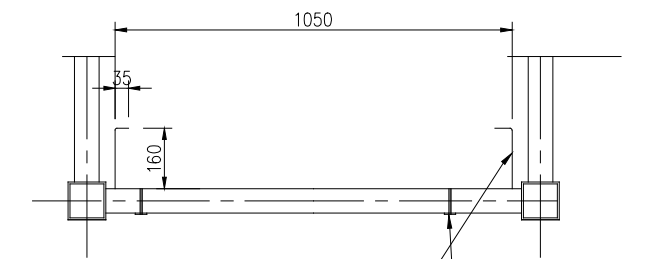
A SECTION THROUGH THE BOX TRUSS (SHT.67) 1:10



B SECTION (TOP SIDE ONLY) 1:10



3 PLAN OF BOX TRUSS WITH TYPICAL WEB MEMBER CONNECTIONS. (TOP SIDE -AS SHOWN. BOTTOM SIDE SIMILAR) 1:10



3mm CHECKER PLATE BENT TO THIS PROFILE AND CLAMPED TO R.H.S. CHECKER PLATE TO BE GRIT BLASTED AND ZINC SPRAYED AS PER SPECIFICATION.

NOTE:  
EXTENT OF CHECKER PLATE IS FROM SHOULDER COLUMN TO FIRST BAY PAST END OF VMS.  
PLATE SHALL HAVE TOP SURFACE COATED WITH NON-SLIP PAINT OR WITH AN APPROVED METHOD TO PREVENT MAINTENANCE PERSONNEL FROM SLIPPING.

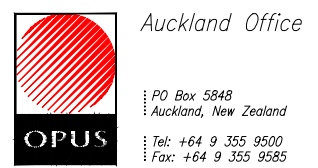
- NOTES:
- REFER TO NOTES ON SHEET 67.
  - REFER TO SHEET 67 FOR ALL MEMBER SIZES.
  - ALL SHS WEB MEMBERS SHALL BE WELDED WITH 6mm FILLET TYPE SP, WELD ALL ROUND, UNLESS NOTED OTHERWISE.

DISCLAIMER: SEE SHEET 000-0000-0-7104-00

BY	CHECKED	DATE
DESIGN TLH		11/10
DRAWN JWF		11/10
REC'D T.L. HARRIS		5/6/15
APPROVED S.D. HEWETT		6/15

This drawing and its contents are the property of Opus International Consultants Limited. Any unauthorised employment or reproduction, in full or in part, is forbidden.

AMENDMENT	APP'D	DATE



TITLE NZ TRANSPORT AGENCY INTELLIGENT TRANSPORT SYSTEM STANDARDS					
VMS CANTILEVER GANTRY - TRUSS DETAILS					
STATUS	STANDARD	FILE	000-0-0000-7104-69-R0		
SCALE	PLOT DATE	FEATURE IDENTIFIER	CODE	SHEET	REVISION
AS SHOWN (A1)	02/06/15 @ 15:09	1/1061/370	7104	69	R0