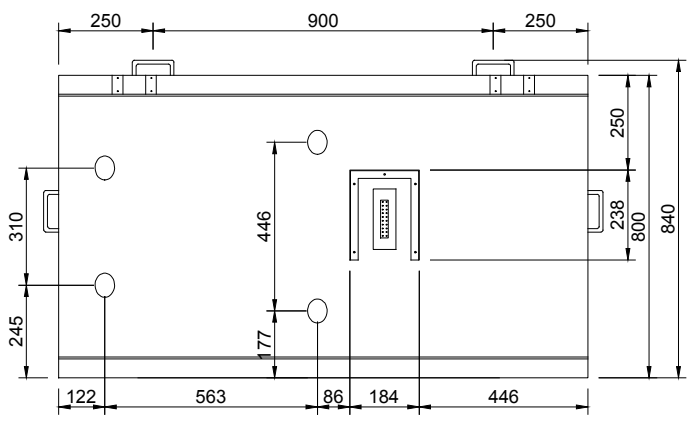
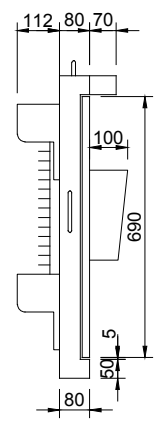
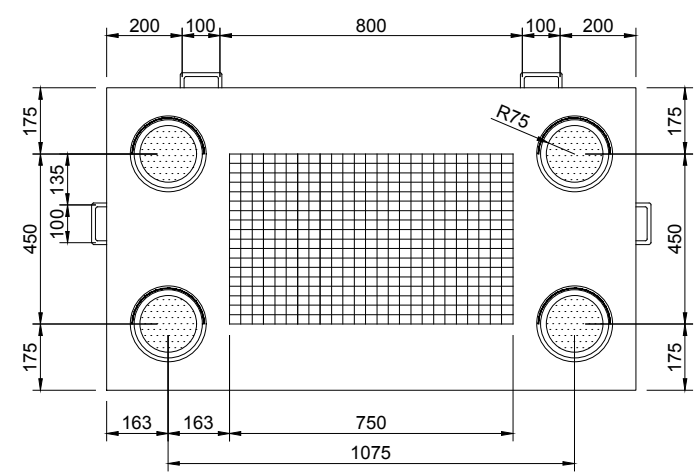
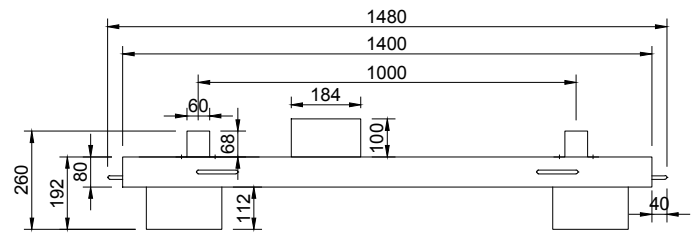
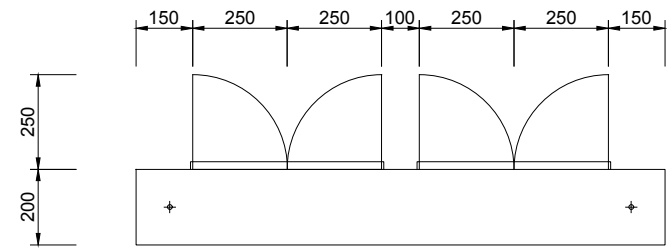


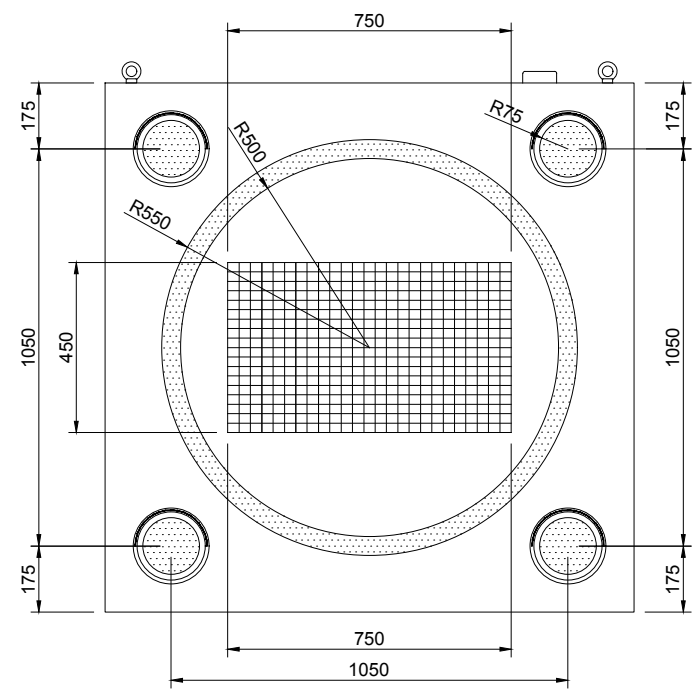
0 10mm 50 100 200 300mm



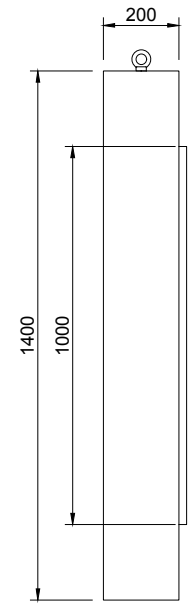
ADVISORY LANE SIGNAL UNIT



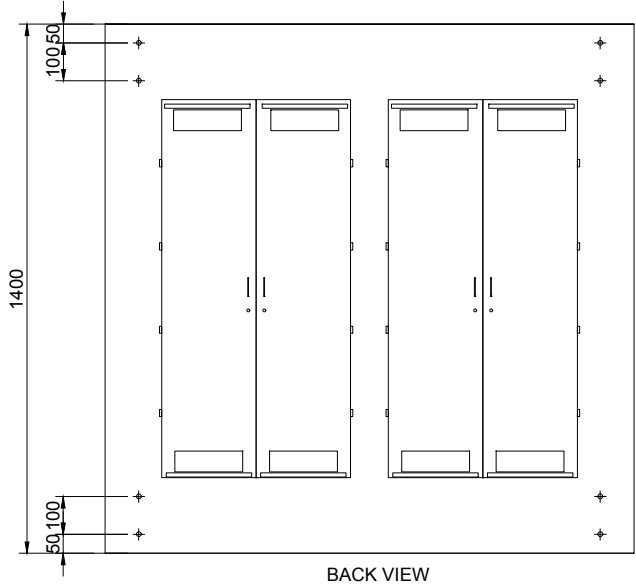
TOP VIEW



FRONT VIEW



END VIEW



BACK VIEW

REGULATORY LANE SIGNAL UNIT

DISCLAIMER: SEE SHEET 000-0000-0-7104-00

			BY	CHECKED	DATE	
		DESIGN	SUPPLIER		12/00	
		DRAWN	A.S.C.		12/00	
R4	REGULATORY LANE SIGNAL DOORS AND BOLT LOCATIONS	TLH	07/07/16	REC'D	T.L. HARRIS	10/8/11
R3	REGULATORY LANE SIGNALS ADDED	TLH	27/04/16	APPROVED	S.D HEWETT	
R2	ITS STANDARDS UPDATE	TLH	5/6/15			8/11
R1	ITS STANDARDS REVIEW	TLH	14/10/14			
	AMENDMENT	APP'D	DATE			

This drawing and its contents are the property of Opus International Consultants Limited. Any unauthorised employment or reproduction, in full or in part, is forbidden.



Auckland Office
 PO Box 5848
 Auckland, New Zealand
 Tel: +64 9 355 9500
 Fax: +64 9 355 9585

TITLE NEW ZEALAND TRANSPORT AGENCY INTELLIGENT TRANSPORT SYSTEMS STANDARD					
LANE SIGNAL UNITS					
STATUS	STANDARD	FILE	000-0000-0-7104-61-R4		
SCALE	PLOT DATE	FEATURE IDENTIFIER	CODE	SHEET	REVISION
1:10 @ A1	07/07/16 @ 09:07	1/1061/370	7104	61	R4