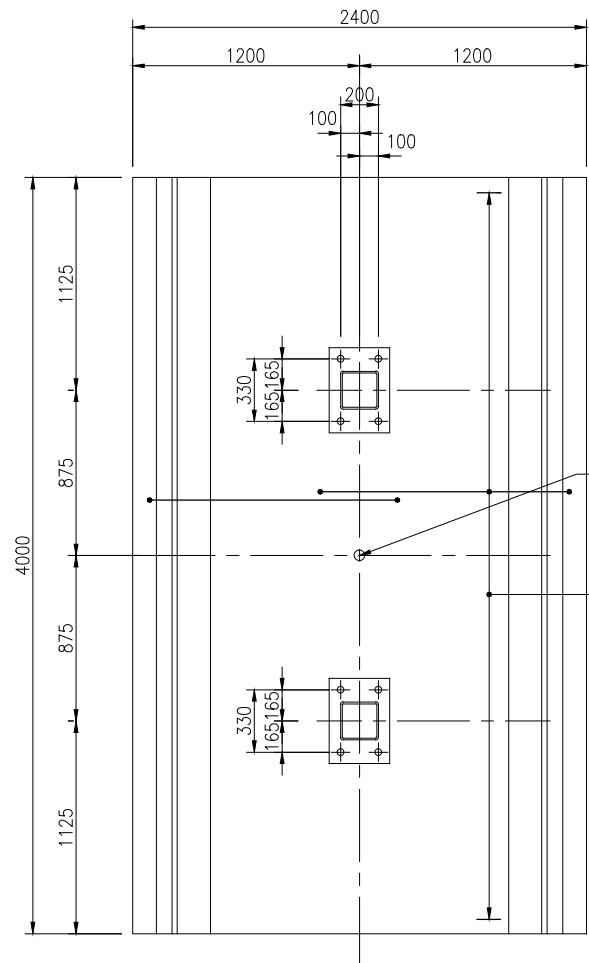


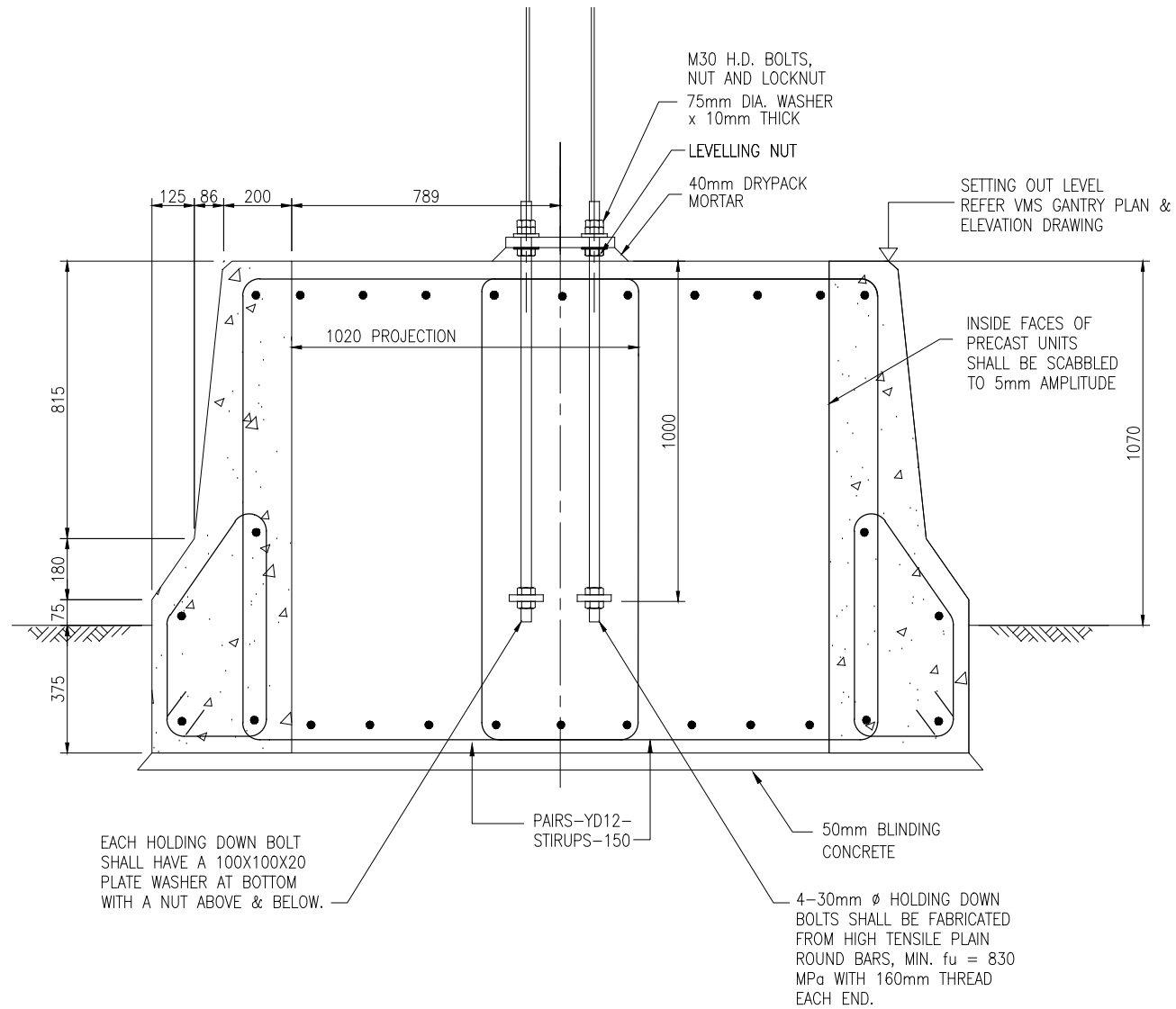
300 mm
200
100
50
0 10 mm



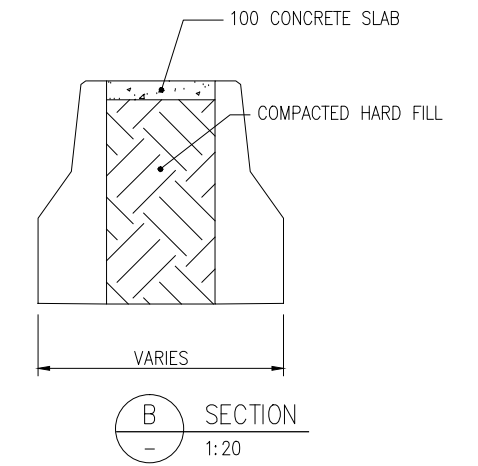
PLAN OF MEDIAN FOUNDATION FOR PORTAL SIGN GANTRY
1:20

SETTING OUT POINT
REFER VMS GANTRY PLAN &
ELEVATION DRAWING

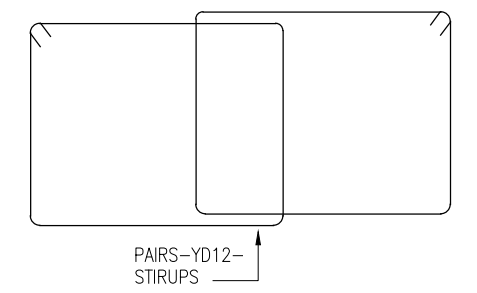
PAIRS-YD12-
STIRUPS-150



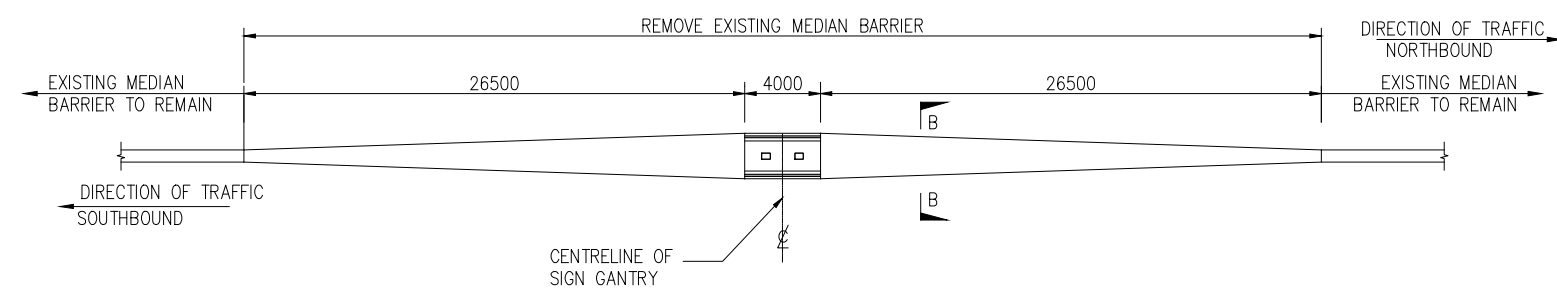
A SECTION
1:10



B SECTION
1:20



PAIRS-YD12-
STIRUPS

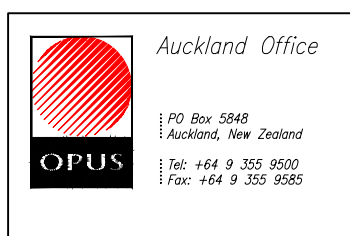


GENERAL ARRANGEMENT OF TYPE 'C'
PORTAL SIGN GANTRY AT THE MEDIAN 1:200

NOTES:
1. FOR NOTES SEE SHEET 58.

DISCLAIMER: SEE SHEET 000-0000-0-7104-00

	BY	CHECKED	DATE
DESIGN	I. LOH	PJW	05/04
DRAWN	A.S.C.	KVM	05/04
REC'D	T.L. HARRIS		10/8/11
APPROVED	S.D. HEWETT		8/11
R2 ITS STANDARDS UPDATE	TLH	5/6/15	
R1 ITS STANDARDS REVIEW	TLH	14/10/14	
AMENDMENT	APP'D	DATE	



TITLE					
NEW ZEALAND TRANSPORT AGENCY INTELLIGENT TRANSPORT SYSTEMS STANDARD					
VMS GANTRY MEDIAN FOUNDATION					
STATUS	STANDARD	FILE	000-0000-0-7104-59-R2		
SCALE	PLOT DATE	FEATURE IDENTIFIER	CODE	SHEET	REVISION
AS SHOWN	02/06/15 @ 11:25	1/1061/370	7104	59	R2