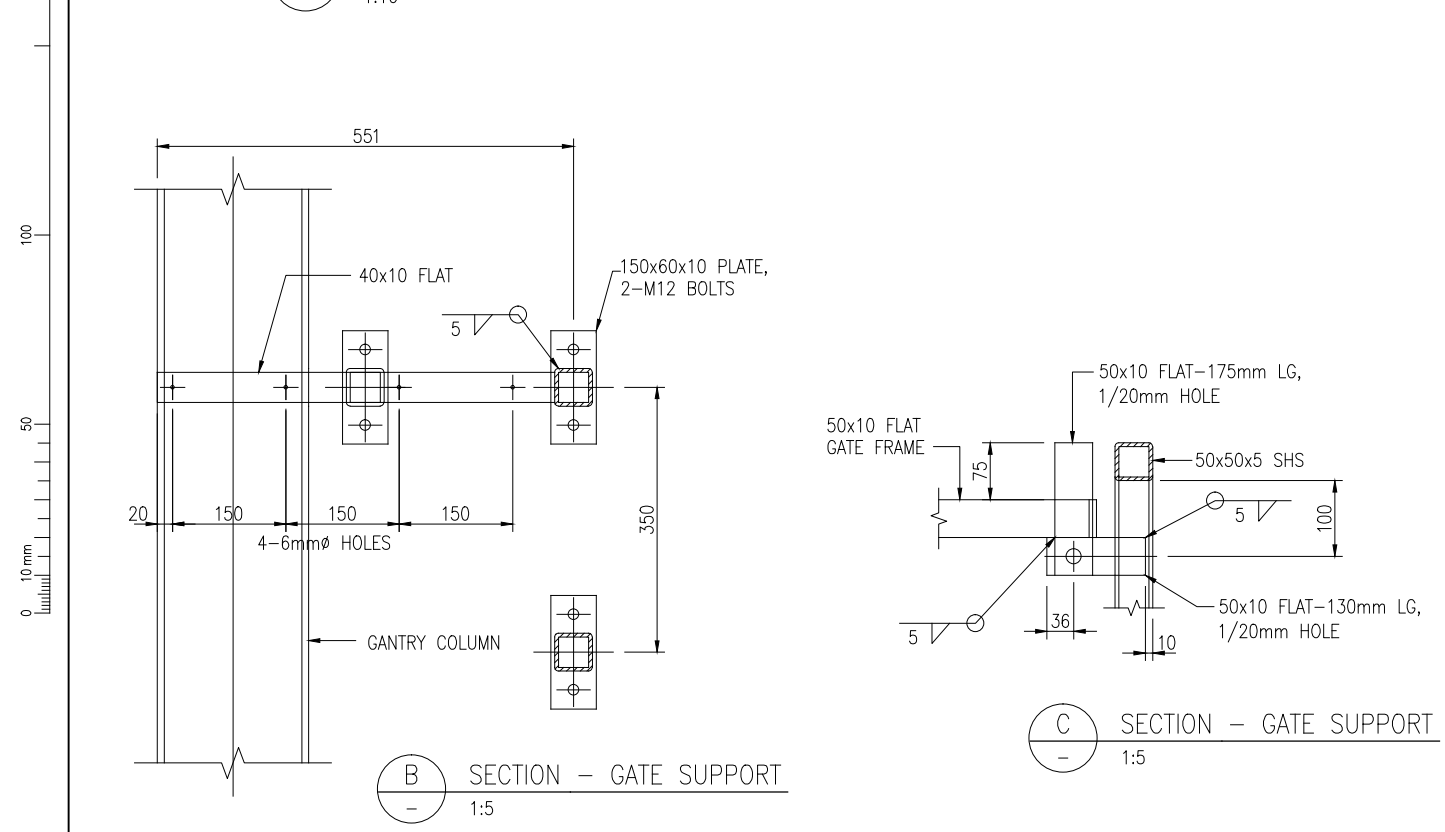
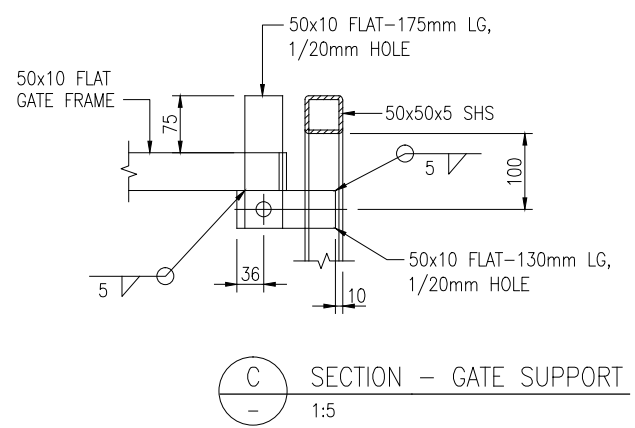


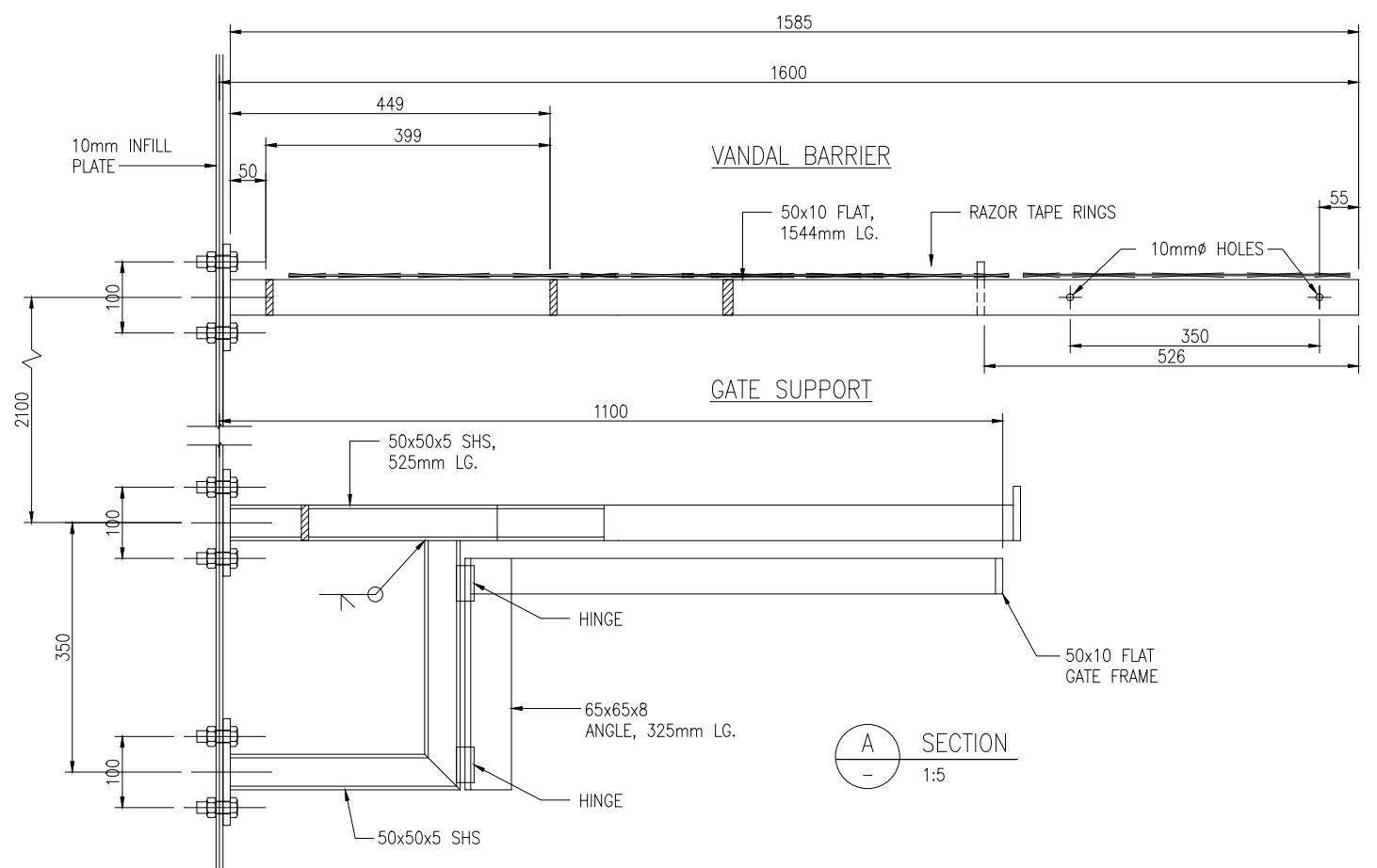
1 PLAN OF GATE AND VANDAL DETERRENT BARRIER MOUNTED ON COLUMN
1:10



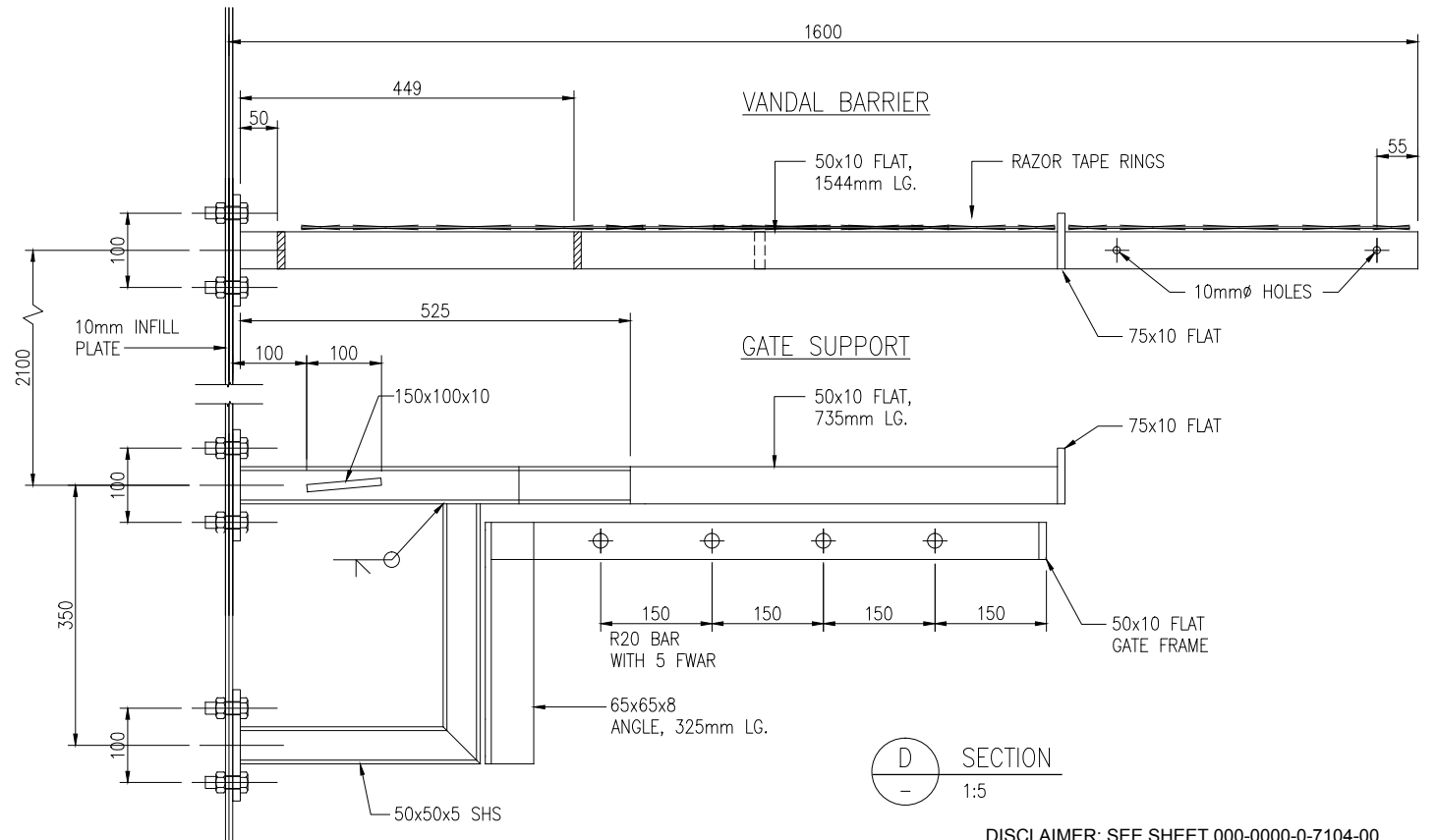
B SECTION - GATE SUPPORT
1:5



C SECTION - GATE SUPPORT
1:5



A SECTION
1:5



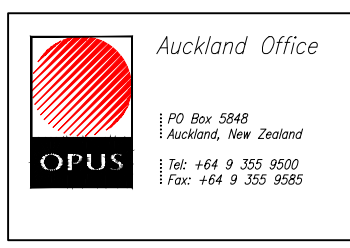
D SECTION
1:5

DISCLAIMER: SEE SHEET 000-0000-0-7104-00

REV	DESCRIPTION	DATE	BY	CHECKED	DATE
R2	ITS STANDARDS UPDATE	5/6/15	I. LOH	PJW	05/04
R1	ITS STANDARDS REVIEW	14/10/14	A.S.C.	KVM	05/04
			T.L. HARRIS		10/8/11
			S.D. HEWETT		8/11

APPROVED

This drawing and its contents are the property of Opus International Consultants Limited. Any unauthorised employment or reproduction, in full or in part, is forbidden.



TITLE NEW ZEALAND TRANSPORT AGENCY INTELLIGENT TRANSPORT SYSTEMS STANDARD					
VMS GANTRY VANDAL BARRIER & GATE					
STATUS	STANDARD	FILE	000-0000-0-7104-57-R2		
SCALE	PLOT DATE	FEATURE IDENTIFIER	CODE	SHEET	REVISION
AS SHOWN	02/06/15 @ 11:20	1/1061/370	7104	57	R2