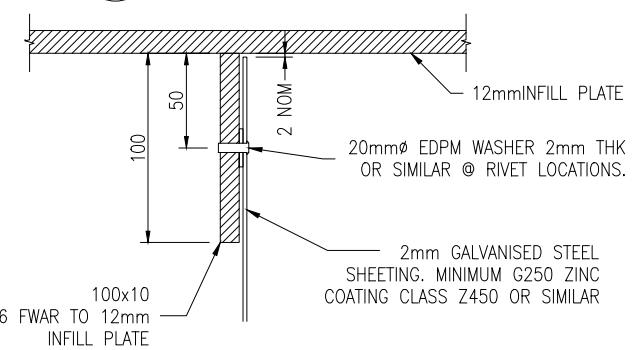
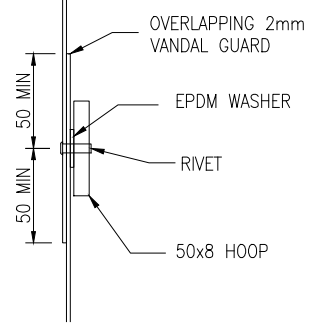


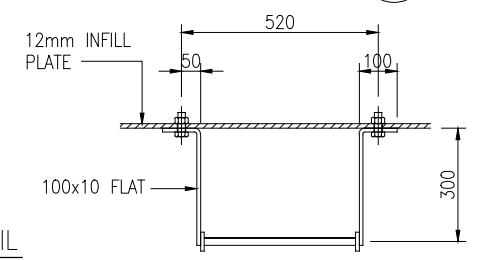
B SECTION-LADDER SAFETY HOOP 1:10



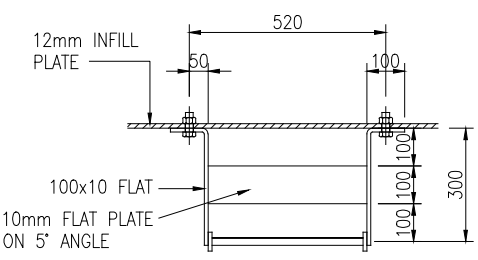
4 VANDAL GUARD TO INFILL PLATE CONNECTION DETAIL 1:2



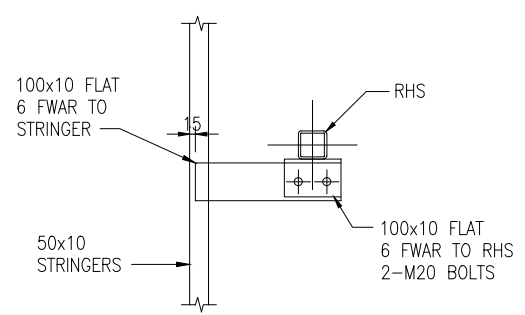
5 VANDAL GUARD OVERLAPPING DETAIL 1:2



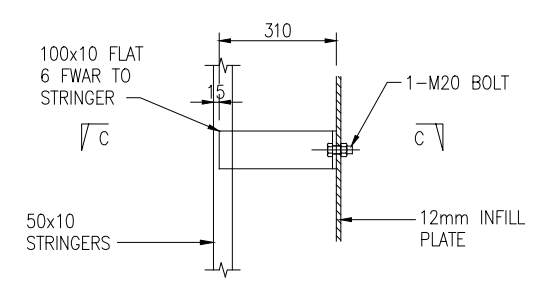
C SECTION 1:10



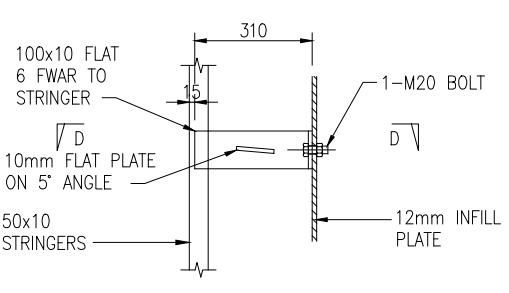
D SECTION 1:10



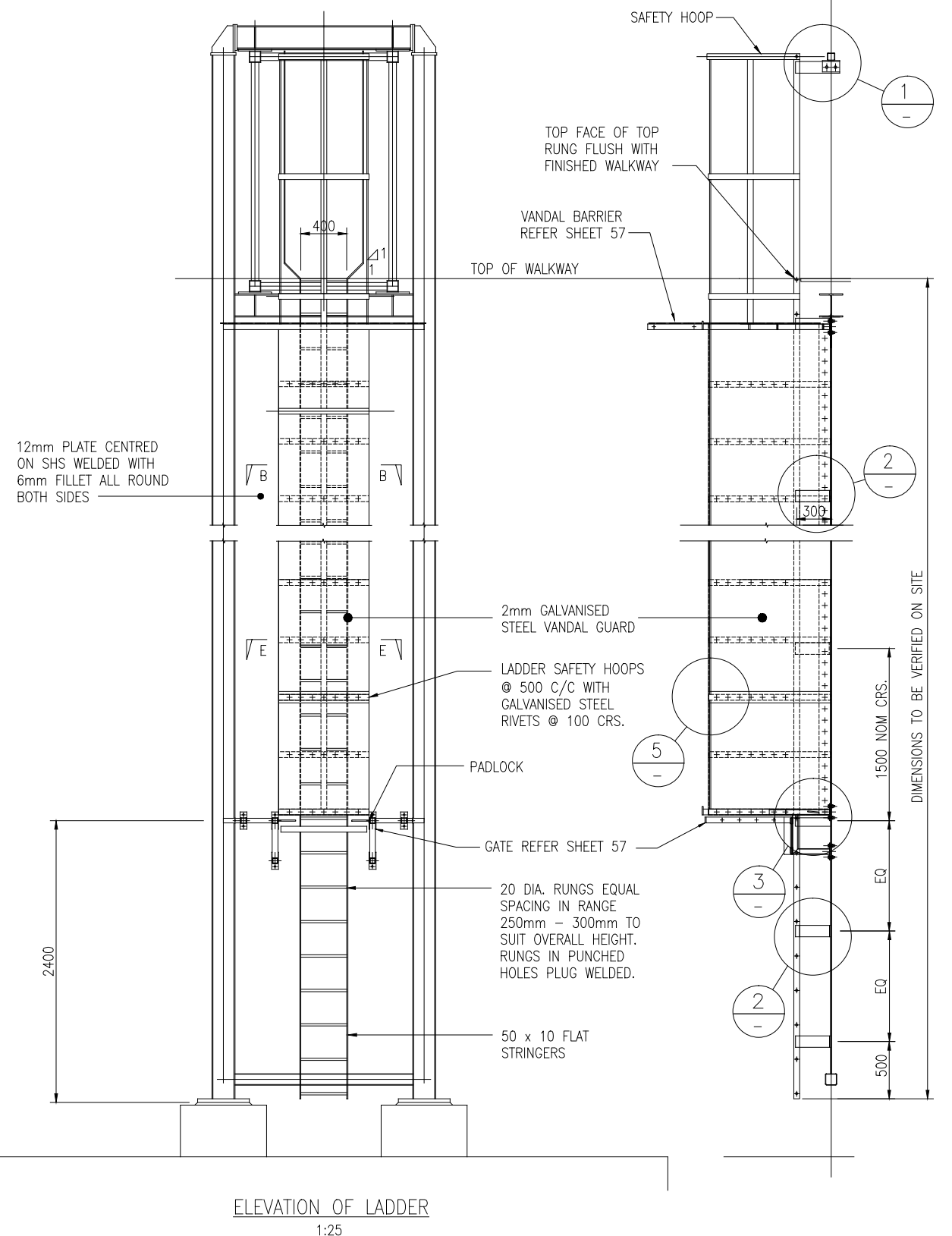
1 LADDER FIXING DETAIL 1:10



2 LADDER FIXING DETAIL 1:10



3 LADDER DETAIL AT GATE 1:10



ELEVATION OF LADDER 1:25

DISCLAIMER: SEE SHEET 000-0000-0-7104-00

04/06/2015 1:31:19

NO	DESCRIPTION	DATE	BY	CHECKED	DATE
			DESIGN	I .LOH	PJW 05/04
			DRAWN	A.S.C.	KVM 05/04
			REC'D	T.L. HARRIS	10/8/11
			APPROVED	S.D. HEWETT	8/11
R2	ITS STANDARDS UPDATE	TLH 5/6/15			
R1	ITS STANDARDS REVIEW	TLH 14/10/14	This drawing and its contents are the property of Opus International Consultants Limited. Any unauthorised employment or reproduction, in full or in part, is forbidden.		
	AMENDMENT	APP'D DATE			



Auckland Office
 PO Box 5848
 Auckland, New Zealand
 Tel: +64 9 355 9500
 Fax: +64 9 355 9585

TITLE NEW ZEALAND TRANSPORT AGENCY INTELLIGENT TRANSPORT SYSTEMS STANDARD					
VMS GANTRY LADDER & HOOP DETAIL					
STATUS	STANDARD	FILE	000-0000-0-7104-56-R2		
SCALE	PLOT DATE	FEATURE IDENTIFIER	CODE	SHEET	REVISION
AS SHOWN	02/06/15 @ 11:18	1/1061/370	7104	56	R2

K:\atms\1_1061_370\1_1061_370_7104_56R2.dwg - SHT56R2 ORIGINAL SHEET SIZE A1 [840x594]