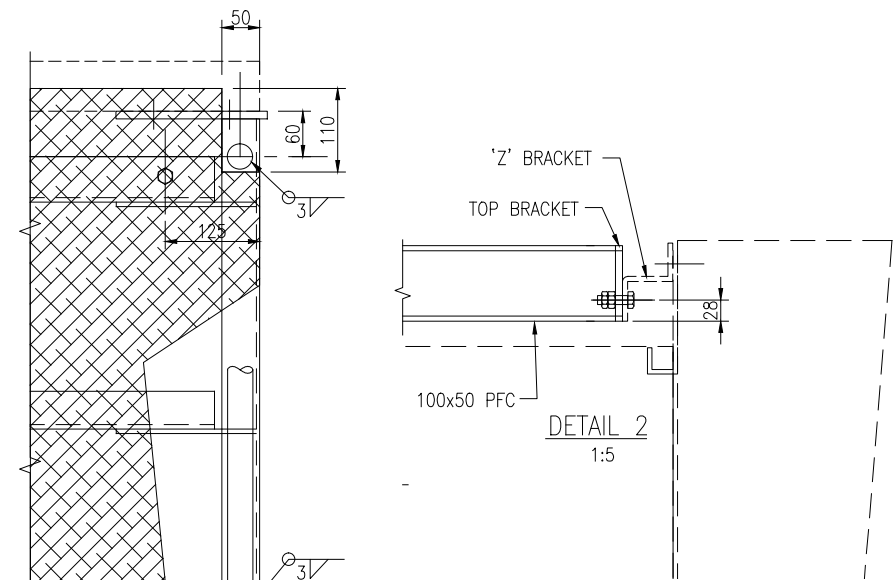
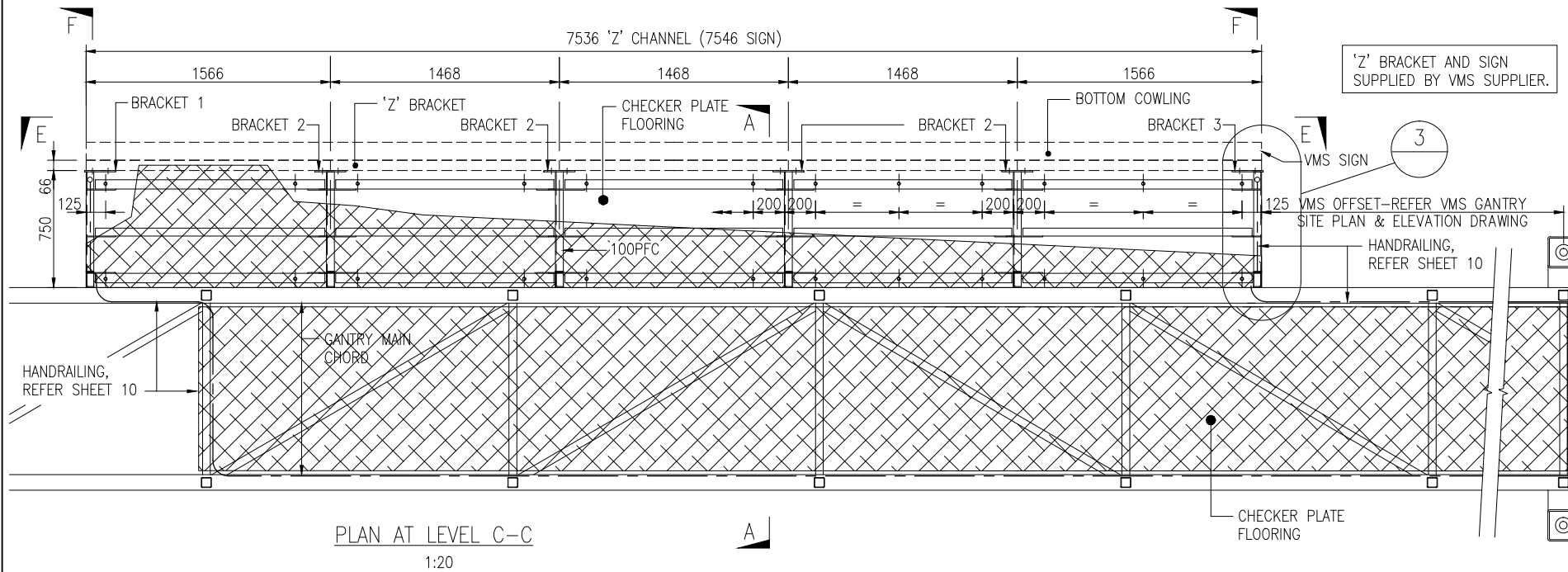
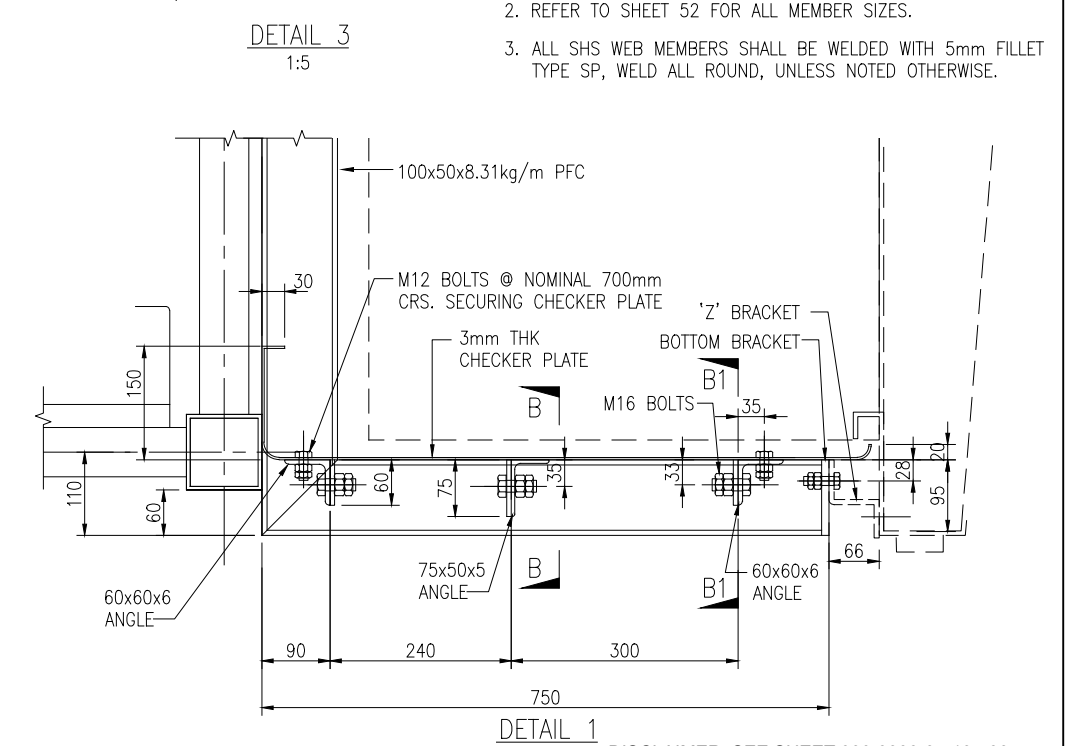
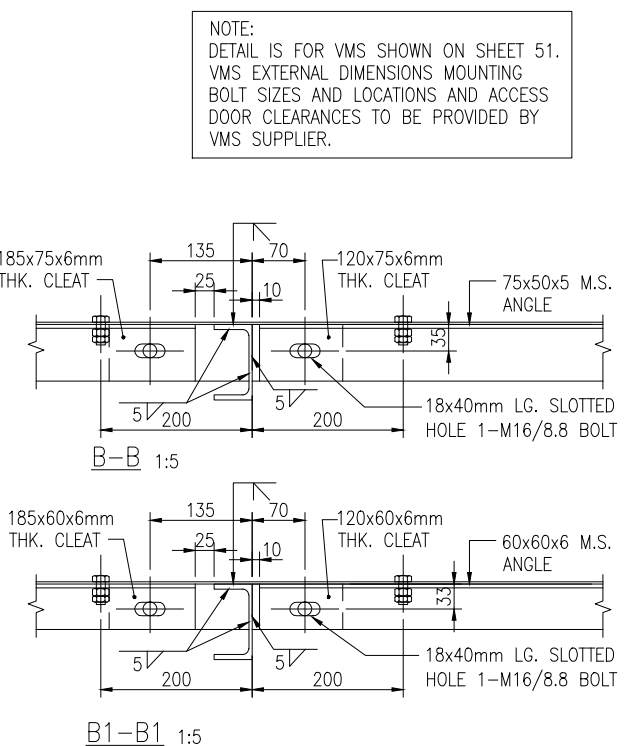
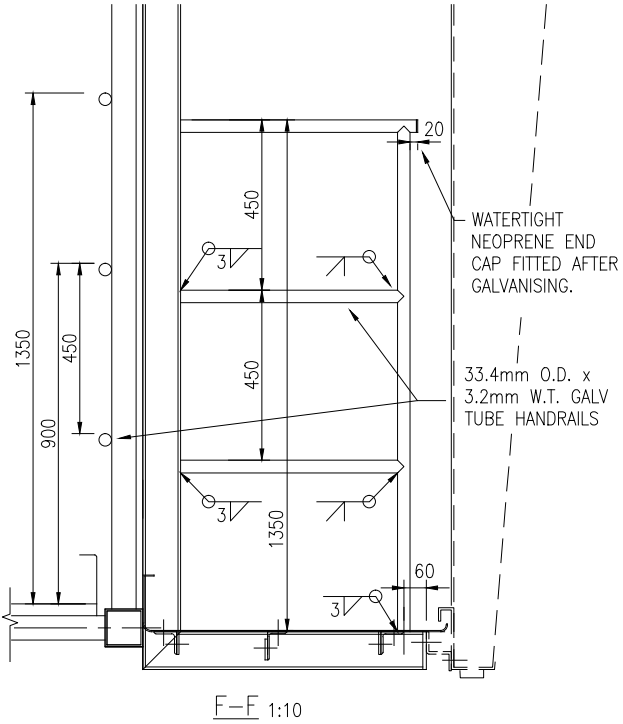
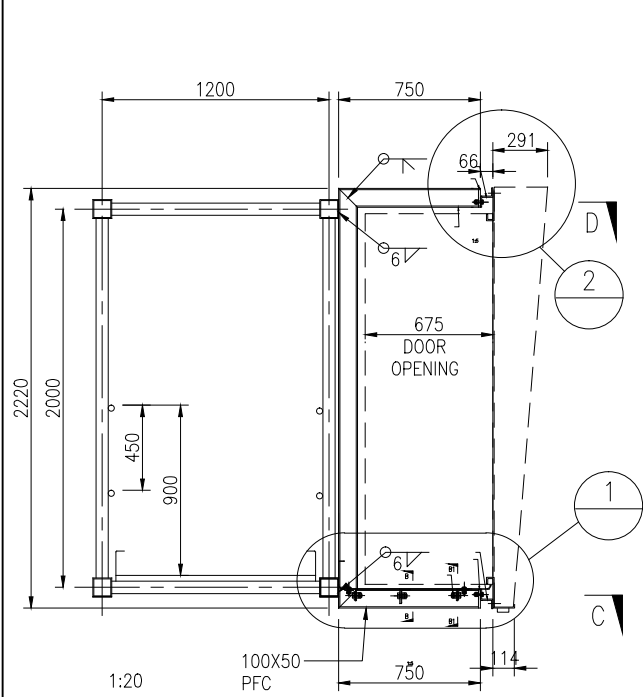


BRACKETS VIEWED ALONG E-E

BRACKETS 1T, 2T & 3T (TOP BRACKETS) SAME AS LOWER BRACKETS UNLESS SHOWN OTHERWISE



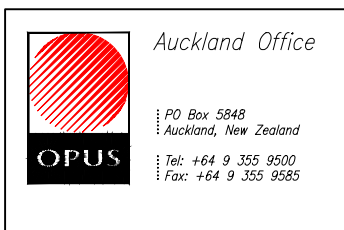
- NOTES:
- REFER TO NOTES ON SHEET 52.
 - REFER TO SHEET 52 FOR ALL MEMBER SIZES.
 - ALL SHS WEB MEMBERS SHALL BE WELDED WITH 5mm FILLET TYPE SP, WELD ALL ROUND, UNLESS NOTED OTHERWISE.



DISCLAIMER: SEE SHEET 000-0000-0-7104-00

NO.	DESCRIPTION	DATE	BY	CHECKED	DATE
	DESIGN	05/04	I. LOH	T.L.H.	05/04
	DRAWN	05/04	A.S.C.	KVM	05/04
	REC'D	10/8/11	T.L. HARRIS		10/8/11
	APPROVED	8/11	S.D. HEWETT		8/11
R2	ITS STANDARDS UPDATE	5/6/15	TLH		
R1	ITS STANDARDS REVIEW	14/10/14	TLH		
	AMENDMENT		APP'D	DATE	

This drawing and its contents are the property of Opus International Consultants Limited. Any unauthorised employment or reproduction, in full or in part, is forbidden.



TITLE		NEW ZEALAND TRANSPORT AGENCY INTELLIGENT TRANSPORT SYSTEMS STANDARD			
VMS GANTRY SIGN FRAME & WALKWAY DETAIL					
STATUS	STANDARD	FILE	000-0000-0-7104-55-R2		
SCALE	AS SHOWN	PLOT DATE	04/06/15 @ 10:47	FEATURE IDENTIFIER	1/1061/370
		CODE	7104	SHEET	55
		REVISION			R2