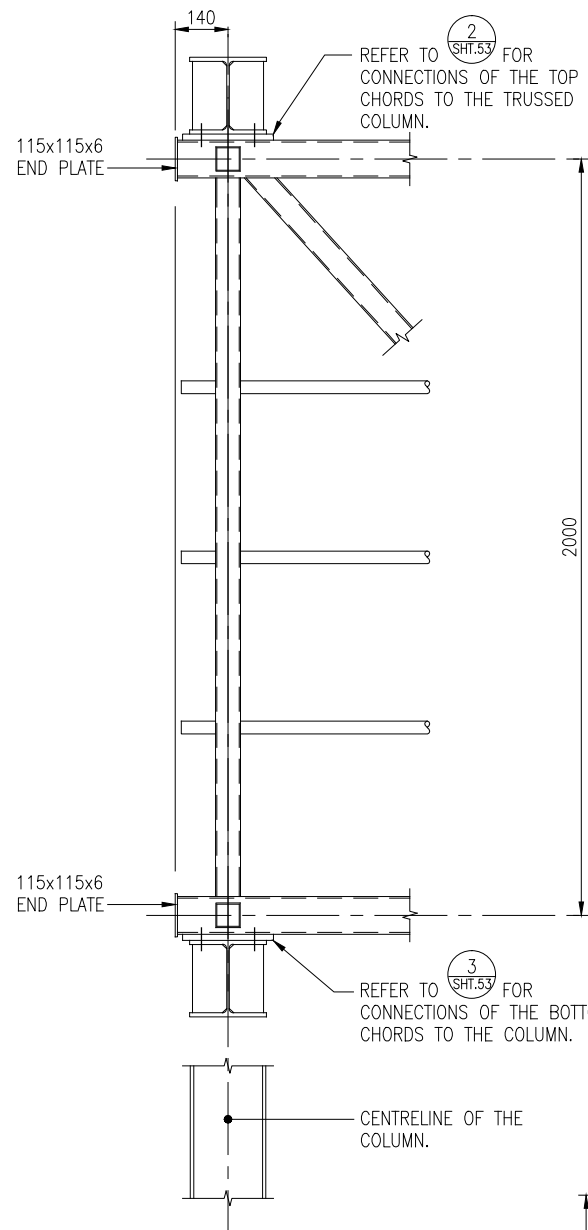
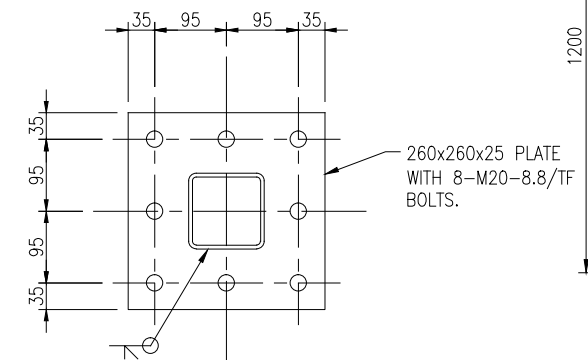


04/06/2015 13:19
GRAPHIC SCALES
K:\ATMS\1_1061_370\1_1061_370_7104_54R2.dwg, 4/06/2015 1:19:33 PM

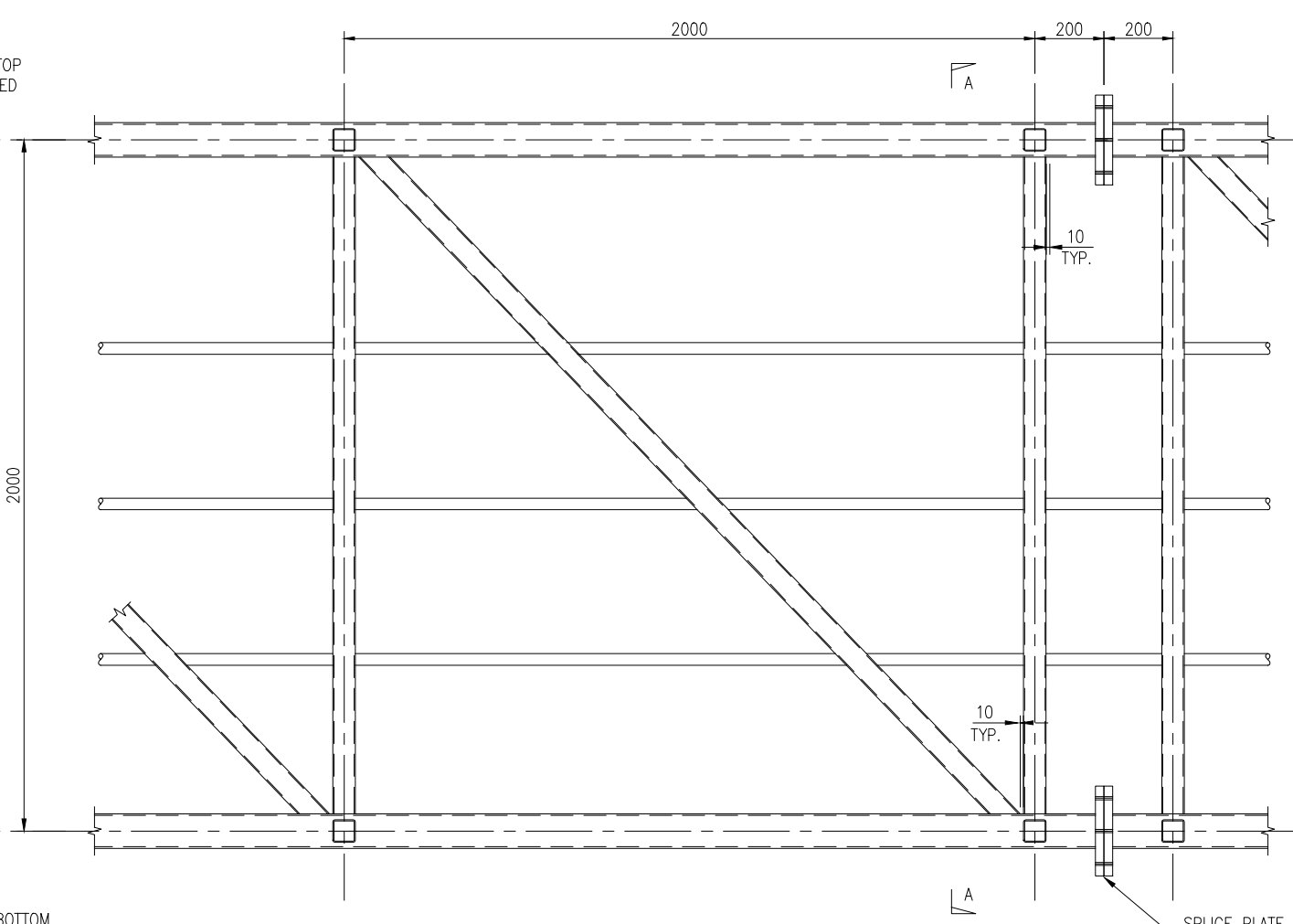


1 ELEVATION AT END OF BOX TRUSS (NEAR FACE-AS SHOWN. FAR FACE SIMILAR) 1:10

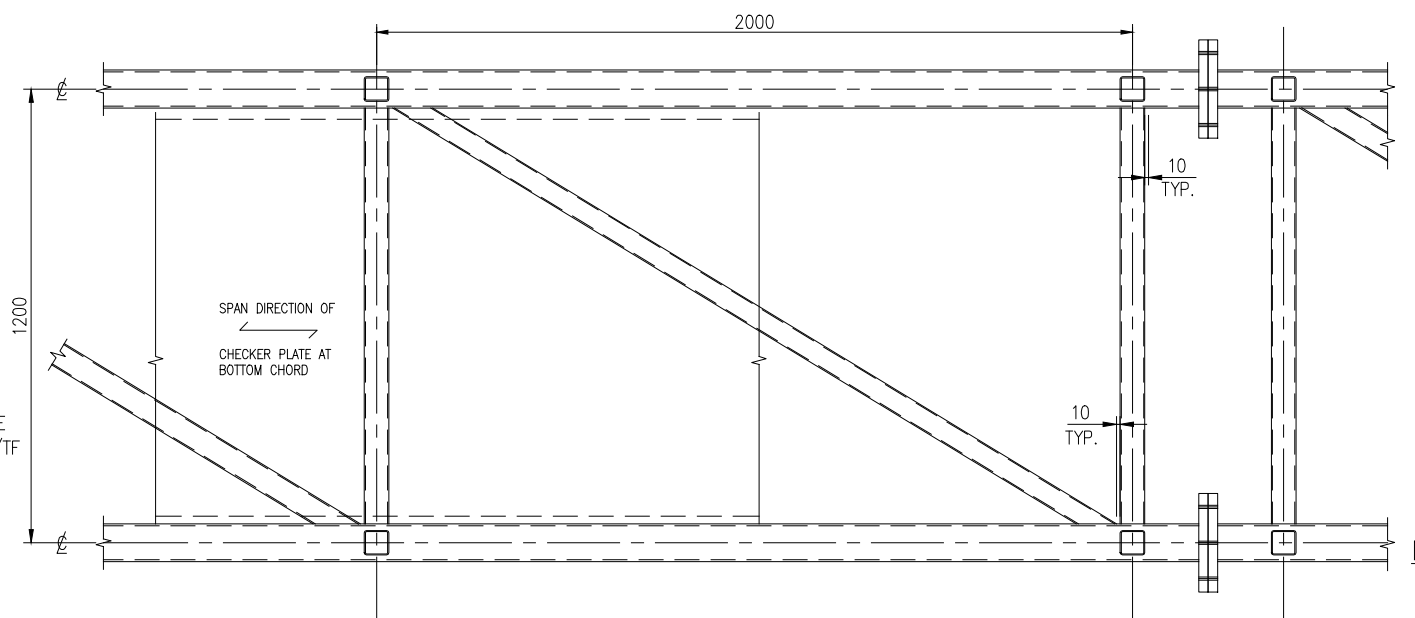


SPLICE PLATE 1:5

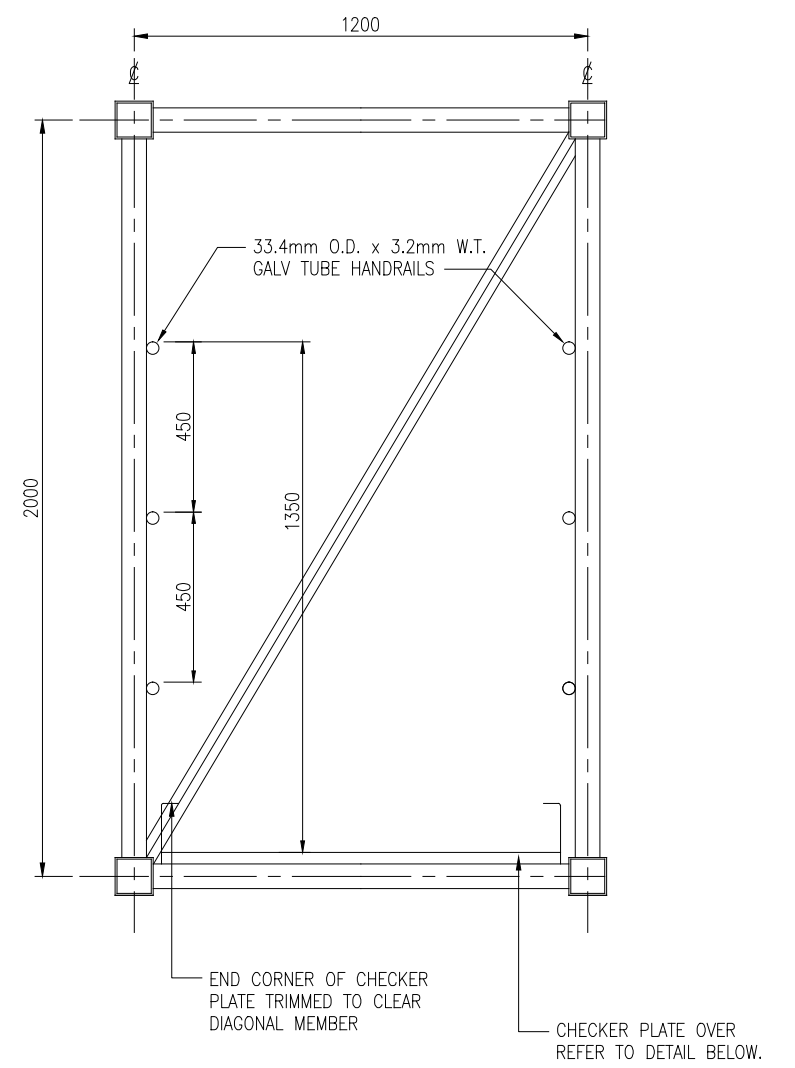
DISCLAIMER: SEE SHEET 000-0000-0-7104-00



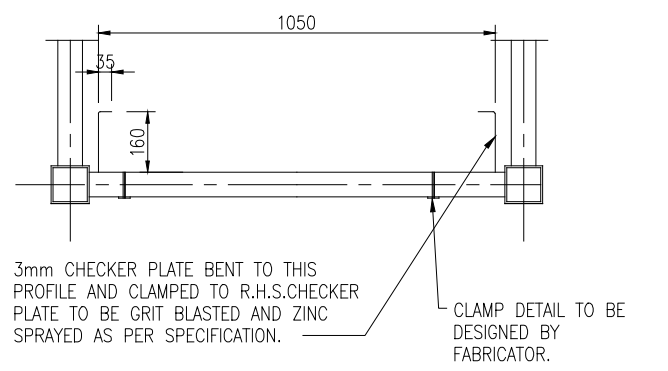
2 ELEVATION AT BOX TRUSS WITH TYPICAL WEB MEMBER CONNECTIONS. (NEAR FACE-AS SHOWN. FAR FACE SIMILAR) 1:10



3 PLAN OF BOX TRUSS SPLICE & TYP. WEB MEMBER CONNECTIONS. (TOP SIDE -AS SHOWN. BOTTOM SIDE SIMILAR) 1:10



A SECTION THROUGH THE BOX TRUSS (SHT.52) 1:10

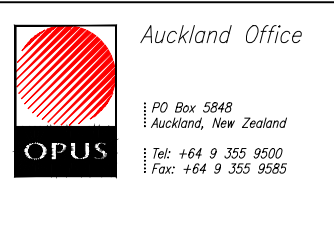


NOTE:
EXTENT OF CHECKER PLATE IS FROM SHOULDER COLUMN TO FIRST BAY PAST END OF VMS. PLATE SHALL HAVE TOP SURFACE COATED WITH NON-SLIP PAINT OR WITH AN APPROVED METHOD TO PREVENT MAINTENANCE PERSONNEL FROM SLIPPING.

NOTES:

- REFER TO NOTES ON SHEET 52.
- REFER TO SHEET 52 FOR ALL MEMBER SIZES.
- ALL SHS WEB MEMBERS SHALL BE WELDED WITH 6mm FILLET TYPE SP, WELD ALL ROUND.

NO.	REVISION	DATE	BY	CHECKED	DATE
			DESIGN	I. LOH	PJW 05/04
			DRAWN	A.S.C.	KVM 05/04
			REC'D	T.L. HARRIS	10/8/11
			APPROVED	S.D HEWETT 8/11	
R2	ITS STANDARDS UPDATE	5/6/15	TLH		
R1	ITS STANDARDS REVIEW	14/10/14	TLH	This drawing and its contents are the property of Opus International Consultants Limited. Any unauthorised employment or reproduction, in full or in part, is forbidden.	
	AMENDMENT		APP'D	DATE	



TITLE NEW ZEALAND TRANSPORT AGENCY INTELLIGENT TRANSPORT SYSTEMS STANDARD					
VMS GANTRY TRUSS DETAILS					
STATUS STANDARD		FILE 000-0000-0-7104-54-R2			
SCALE AS SHOWN	PLOT DATE 02/06/15 @ 11:15	FEATURE IDENTIFIER 1/1061/370	CODE 7104	SHEET 54	REVISION R2