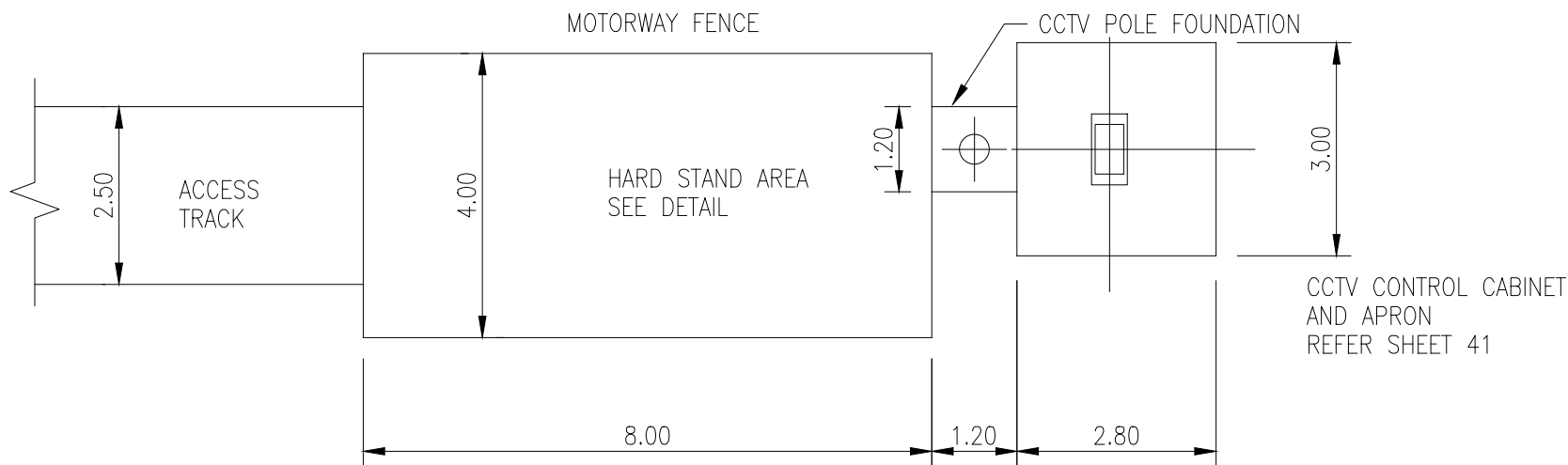
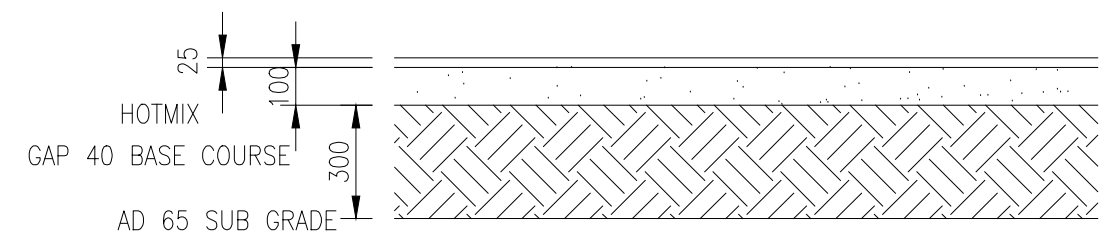


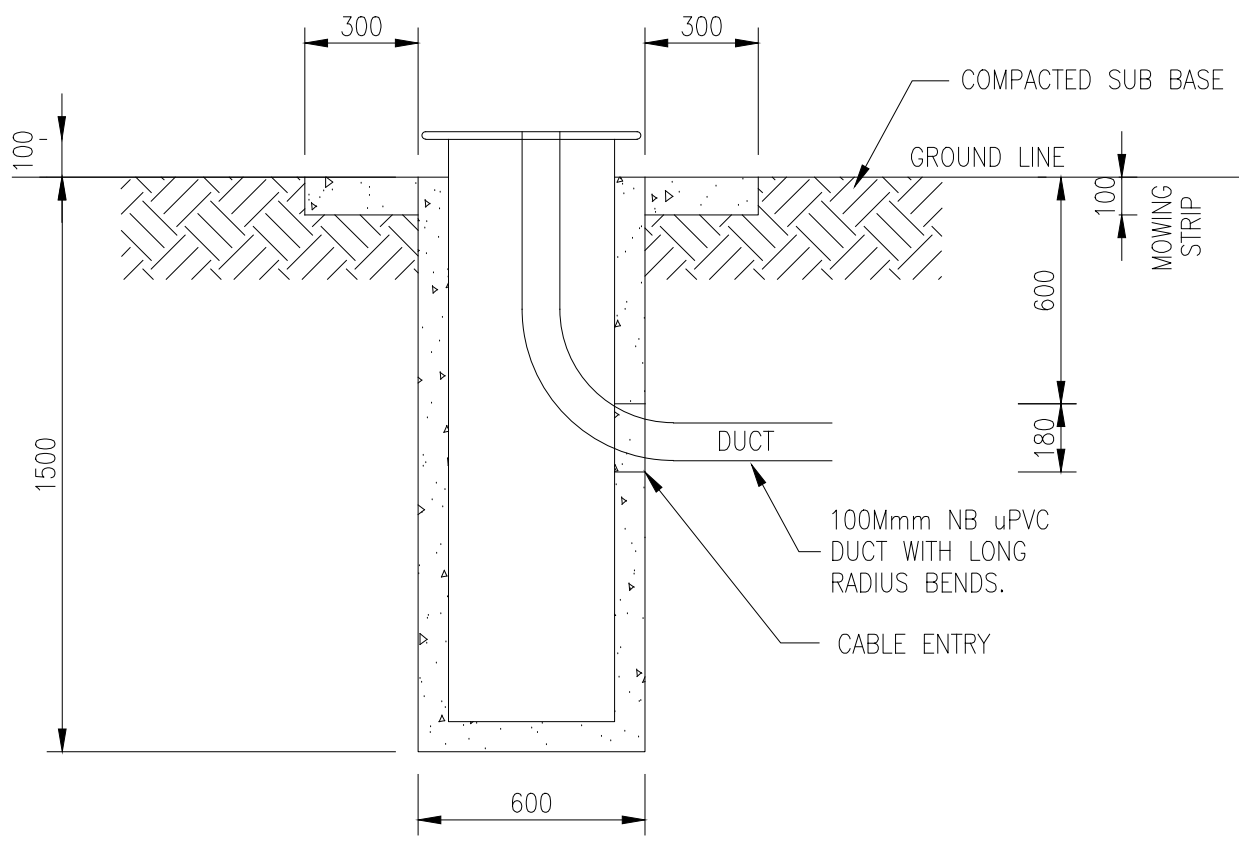
300 mm
200
100
50
10 mm
0



TYPICAL CCTV SITE LAYOUT
SCALE 1:100



SECTION
HARDSTAND & ACCESS TRACK DETAIL
SCALE 1:20



POLE INSTALLATION WITH
MOWING STRIP
SCALE 1:20

DESIGN PARAMETERS.

1. DESIGN TO AS/NZS 1170.2 2011
2. IMPORTANCE LEVEL = 2
3. DESIGN LIFE = 50 YEARS
4. REGIONAL WIND SPEED V500 = 45 m/s (REGION A)
5. TERRAIN CATEGORY 2 (FOR WIND LOAD DERIVATION)
6. FOUNDATION DEPTH MEASURED FROM CLEARED LEVEL GROUND
7. MINIMUM (UNDRAINED SHEAR STRENGTH) C_u REQUIRED IN FOUNDATION SOILS SHALL BE 50kPa
8. SOIL SKIN FRICTION TO BE GREATER THAN 25 kPa
9. FOUNDATION CONCRETE STRENGTH 20 MPa AT 28 DAYS
10. NO UNDERGROUND SERVICES WITHIN THE ZONE OF INFLUENCE OF THE POLE FOUNDATION

DISCLAIMER: SEE SHEET 000-0000-0-7104-00

			BY	CHECKED	DATE
			DESIGN	T.L. HARRIS	05/01
			DRAWN	JWF	05/01
			REC'D	T.L. HARRIS	10/8/11
			APPROVED	S.D. HEWETT	8/11
R2	ITS STANDARDS UPDATE	TLH	5/6/15	This drawing and its contents are the property of Opus International Consultants Limited. Any unauthorised employment or reproduction, in full or in part, is forbidden.	
R1	ITS STANDARDS REVIEW	TLH	14/10/14		
	AMENDMENT	APP'D	DATE		



Opus Auckland Office
PO Box 5848
Auckland, New Zealand
Tel: +64 9 355 9500
Fax: +64 9 355 9585

TITLE NEW ZEALAND TRANSPORT AGENCY INTELLIGENT TRANSPORT SYSTEMS STANDARD					
CCTV POLE FOUNDATION DETAILS					
STATUS	STANDARD	FILE	000-0000-0-7104-47-R2		
SCALE	PLOT DATE	FEATURE IDENTIFIER	CODE	SHEET	REVISION
AS SHOWN @ A1	04/06/15 @ 10:42	1/1061/370	7104	47	R2