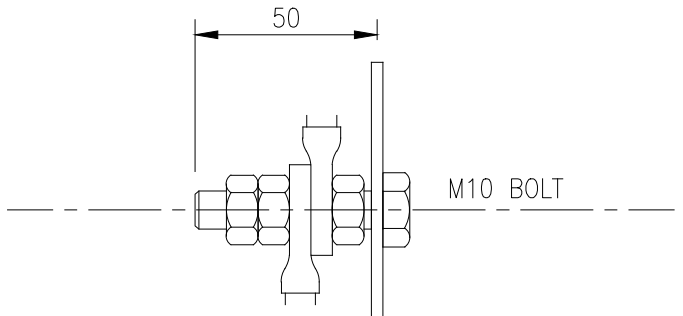
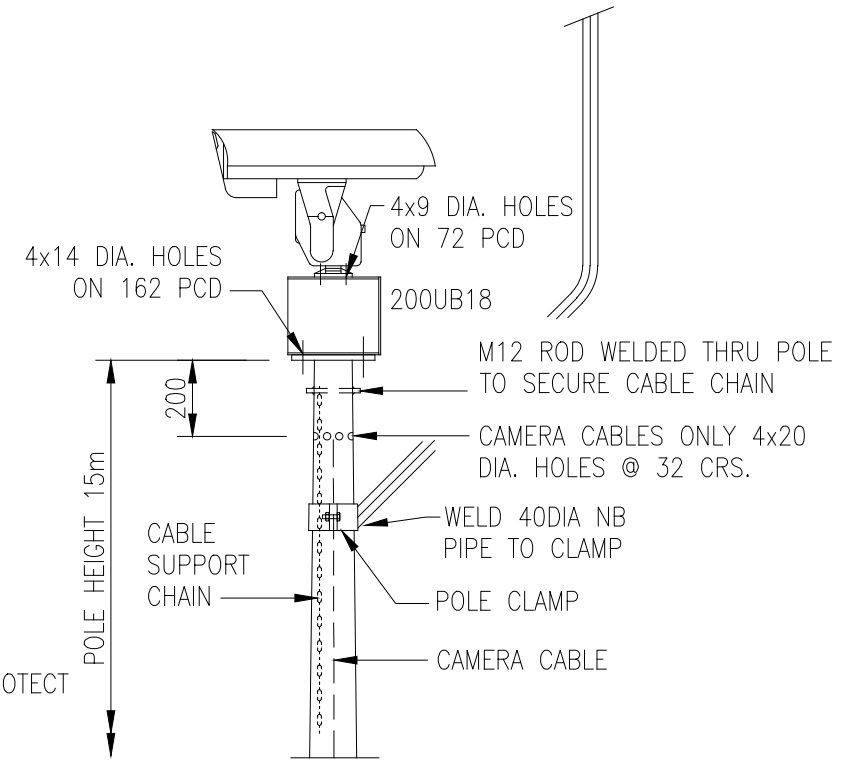
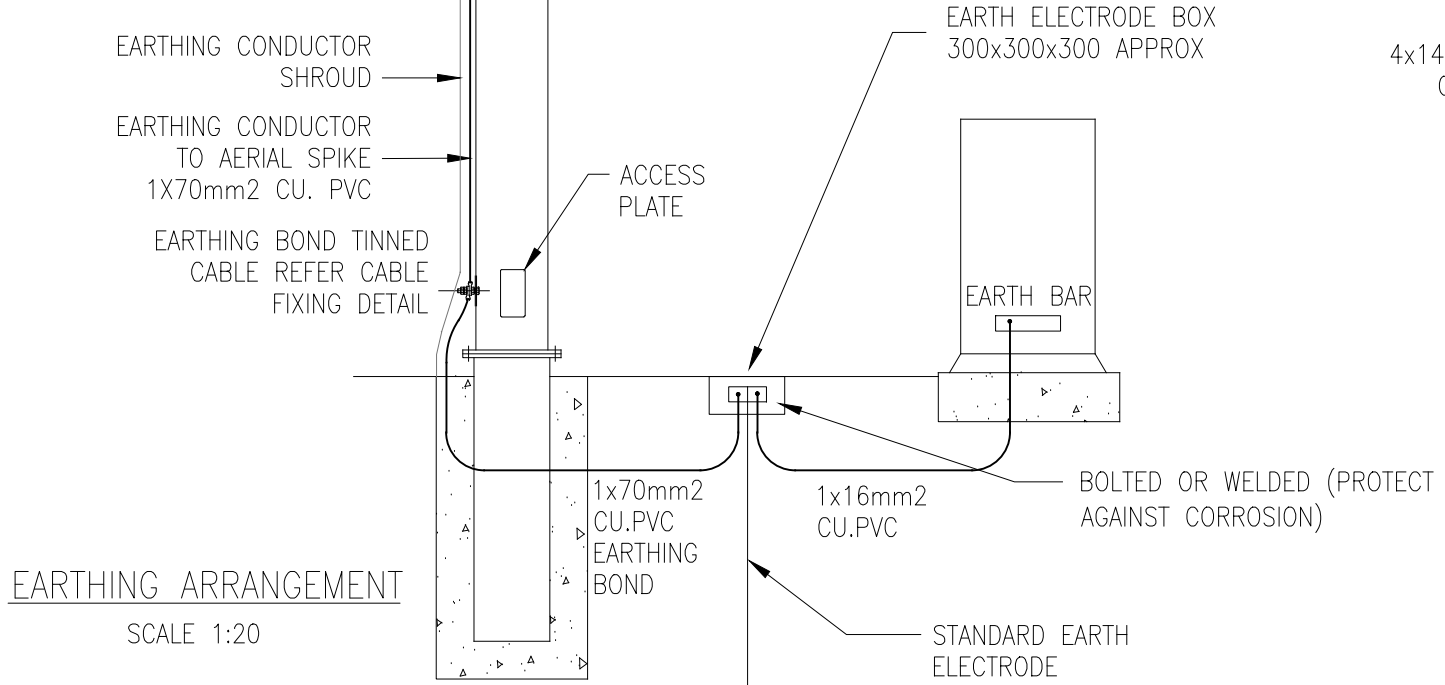
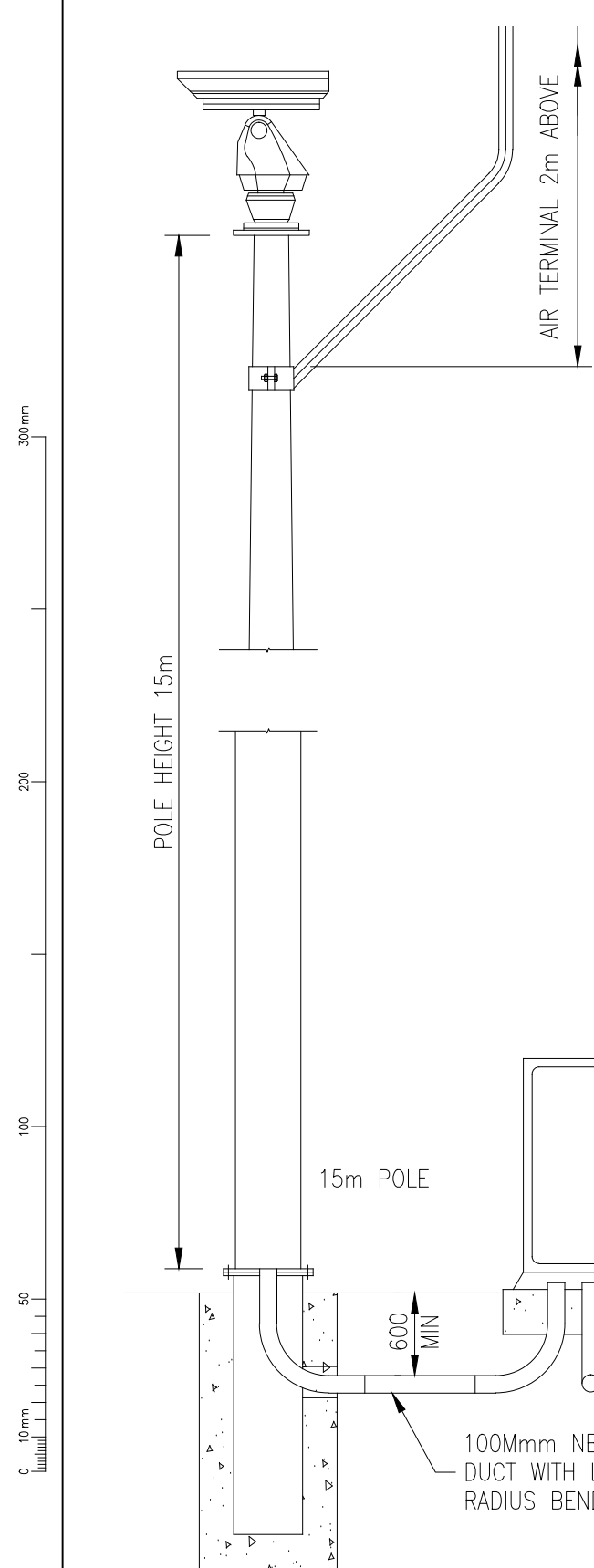
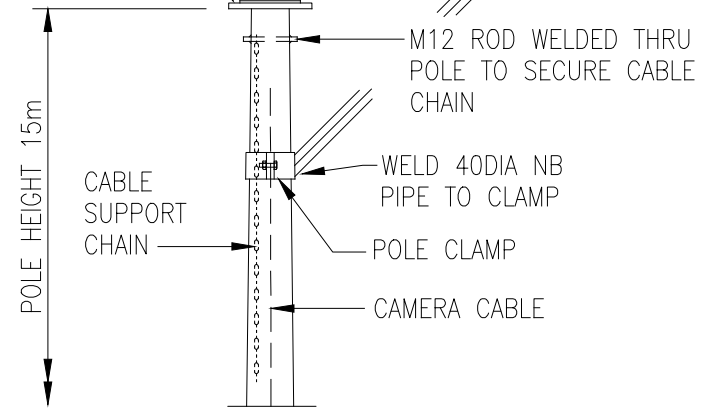


POLE SECTIONS

POLE SECTION	DIA mm
SECTION 1	
TOP	110
BASE	165
SECTION 2	
TOP	155
BASE	210
SECTION 3	
TOP	199
BASE	254
SECTION 4	
TOP	241
BASE	296
SECTION 5	
TOP	282
BASE	337
SECTION 6	
TOP	319
BASE	374
SECTION 7	
TOP	355
BASE	410
SECTION 8	
TOP	390
BASE	422
BASE FLANGE	542
STUB FLANGE	542
1500mm STUB	422



150mm DIA 10mm THICK TOP FLANGE, 75mm DIA CENTRAL HOLE DRILL AND TAP HOLES FOR 4xM8 SCREWS ON 120.6mm PCD



DISCLAIMER: SEE SHEET 000-0000-0-7104-00

NO	BY	CHECKED	DATE
DESIGN	T.L. HARRIS		05/01
DRAWN	JWF		05/01
REC'D	T.L. HARRIS		10/8/11
APPROVED	S.D. HEWETT		8/11

APP'D	DATE	DESCRIPTION
TLH	14/10/14	This drawing and its contents are the property of Opus International Consultants Limited. Any unauthorised employment or reproduction, in full or in part, is forbidden.
AMENDMENT		

		<p>Auckland Office PO Box 5848 Auckland, New Zealand Tel: +64 9 355 9500 Fax: +64 9 355 9585</p>	TITLE NEW ZEALAND TRANSPORT AGENCY INTELLIGENT TRANSPORT SYSTEMS STANDARD CCTV FIXED POLE GENERAL LAYOUT			
			STATUS STANDARD SCALE AS SHOWN	FILE 000-0000-0-7104-46-R1 PLOT DATE 04/06/15 @ 10:41	FEATURE IDENTIFIER 1/1061/370 CODE 7104	SHEET 46 REVISION R1