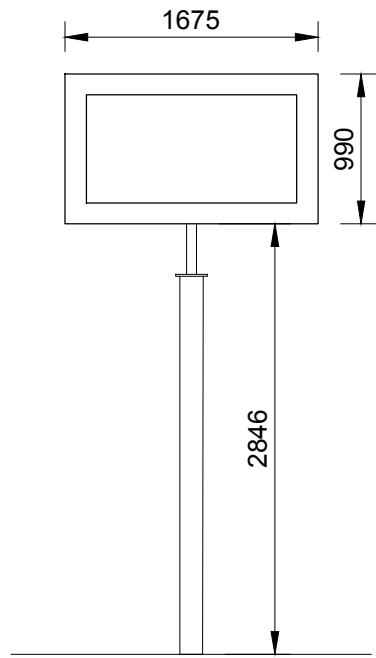
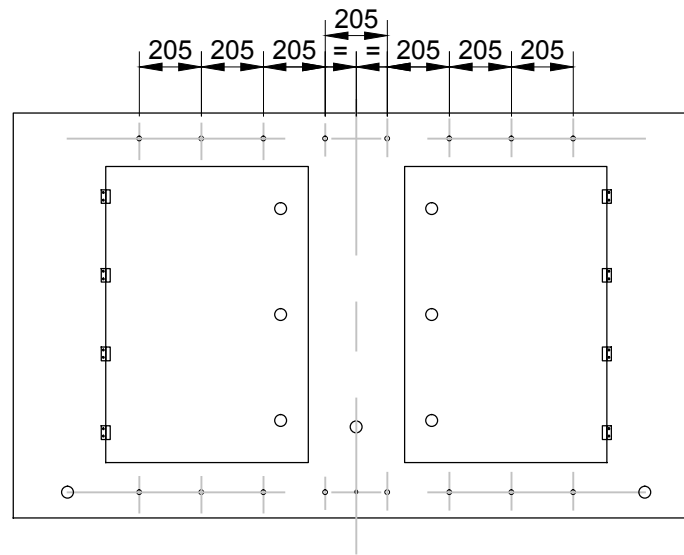


200 mm
100
50
10 mm
0



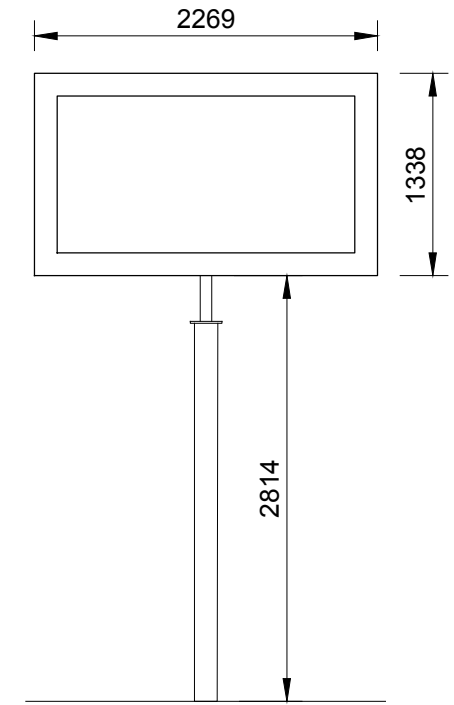
STANDARD URBAN STREET EJT VMS
TYPE C MOUNTING



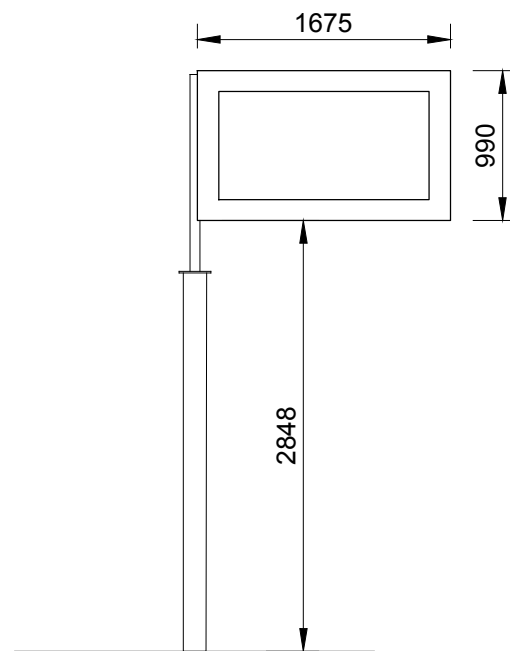
RURAL HIGHWAY EJT VMS
REAR DOOR AND MOUNTING BOLTS

56 x 30 PIXEL
6 LEDs / PIXEL
250mm CHARACTER HEIGHT
FULL MATRIX VMS

REFER SHEET 23 FOR
MOUNTING BRACKET DETAIL



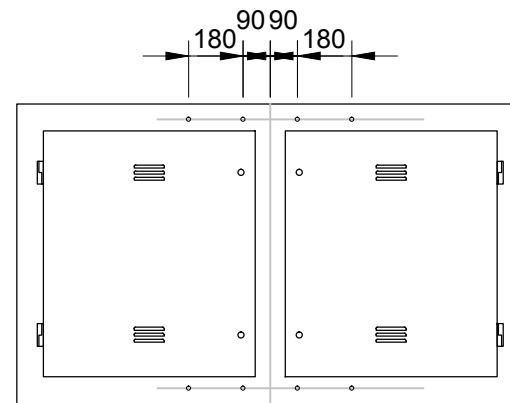
RURAL HIGHWAY EJT VMS
TYPE C MOUNTING



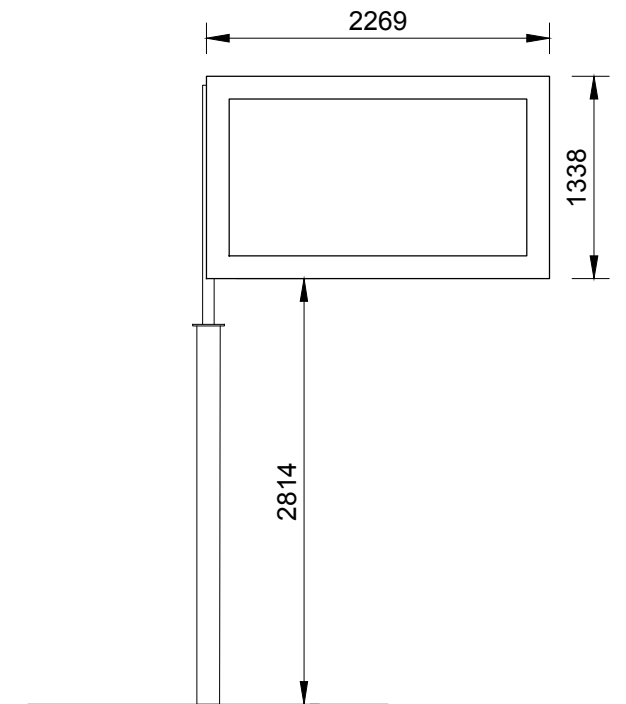
STANDARD URBAN STREET EJT VMS
TYPE F MOUNTING

56 x 29 PIXEL
4 LEDs / PIXEL
175mm CHARACTER HEIGHT
FULL MATRIX VMS

REFER SHEET 22 FOR
MOUNTING BRACKET DETAIL



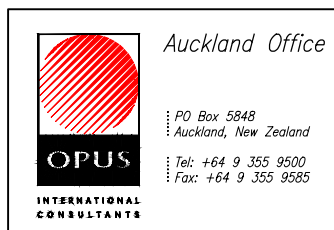
STANDARD URBAN STREET EJT VMS
REAR DOOR AND MOUNTING BOLTS



RURAL HIGHWAY EJT VMS
TYPE F MOUNTING

DISCLAIMER: SEE SHEET 000-0000-0-7104-00

AMENDMENT	APP'D	DATE	BY	CHECKED	DATE
			DESIGN TLH		5/15
			DRAWN JWF		5/15
			RECOM'D T.L. HARRIS		5/6/15
			APPROVED S.D. HEWETT		6/15
This drawing and its contents are the property of Opus International Consultants Limited. Any unauthorised employment or reproduction, in full or in part, is forbidden.					



TITLE NZ TRANSPORT AGENCY INTELLIGENT TRANSPORT SYSTEM STANDARDS					
JOURNEY TIME INFORMATION VARIABLE MESSAGE SIGNS					
STATUS	STANDARD	FILE	000-0000-0-7104-18-R0		
SCALE	1:50	PLOT DATE	04/06/15 @ 10:37	FEATURE IDENTIFIER	1/1061/370
		CODE	7104	SHEET	18
		REVISION			R0