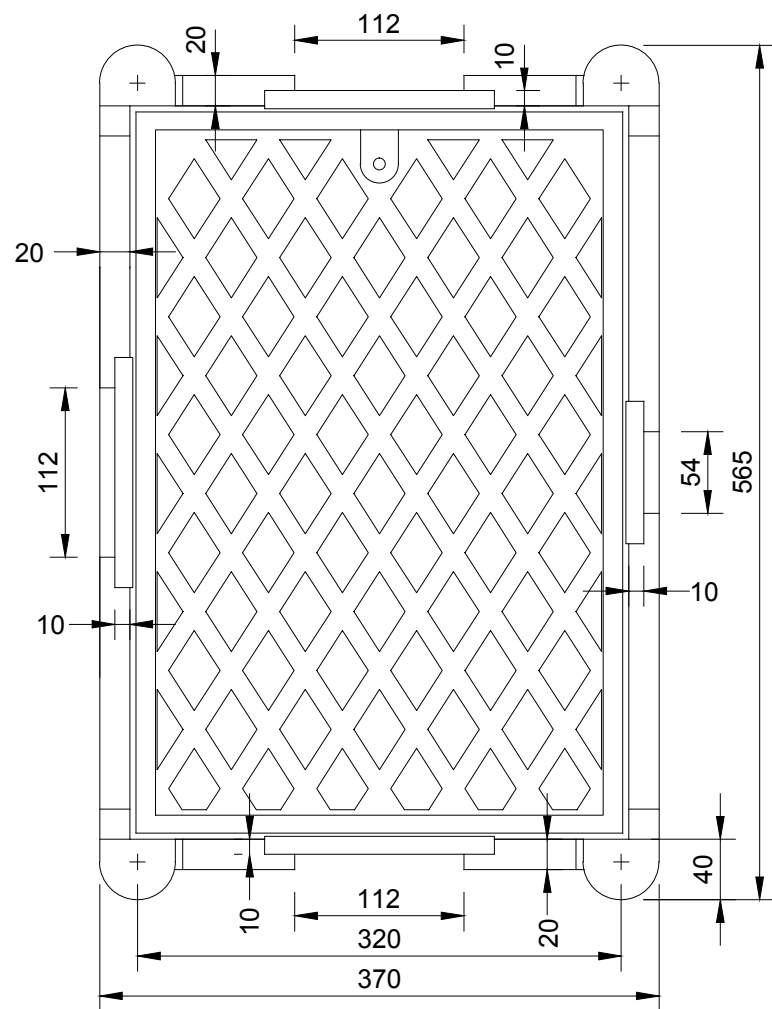
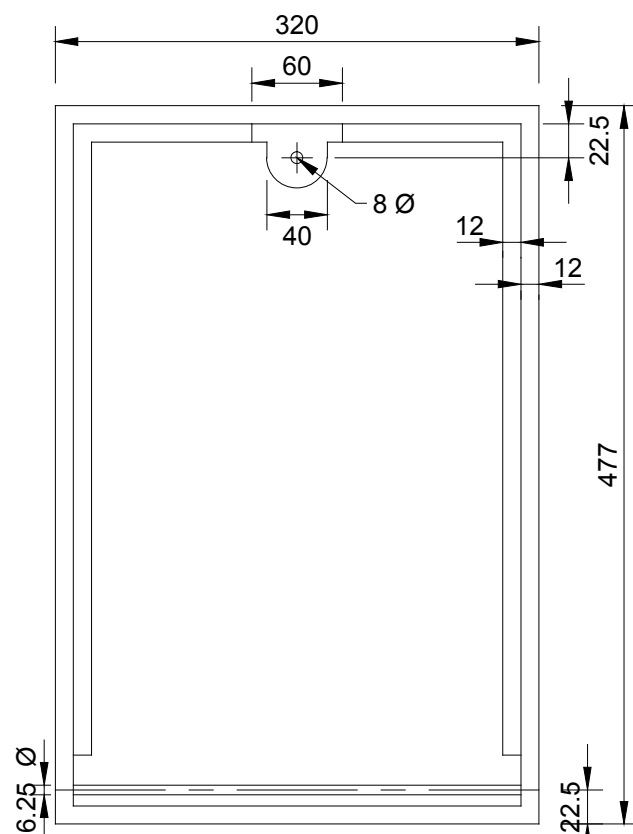


0 10mm 50 100 200 300mm

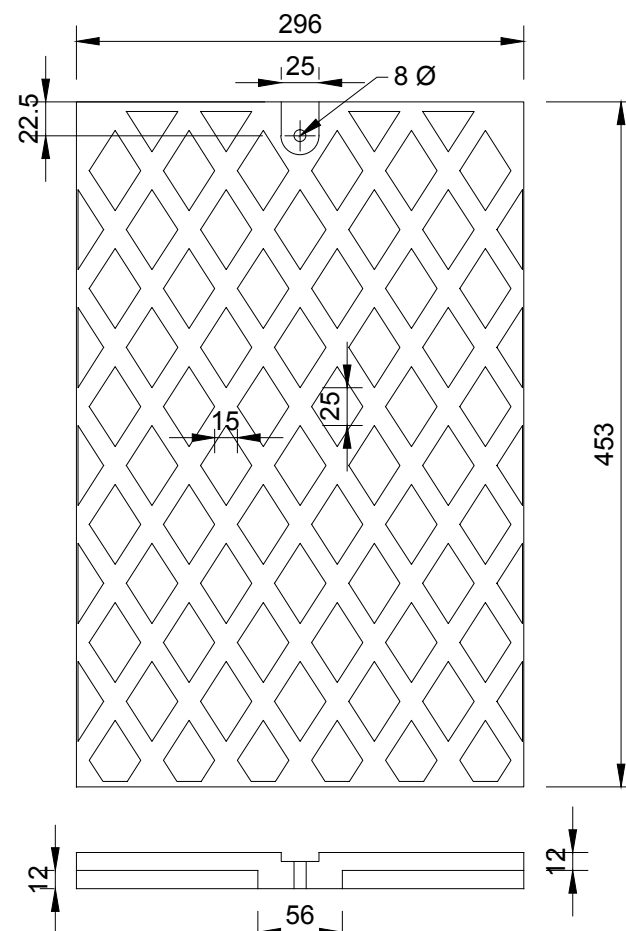


TOP VIEW

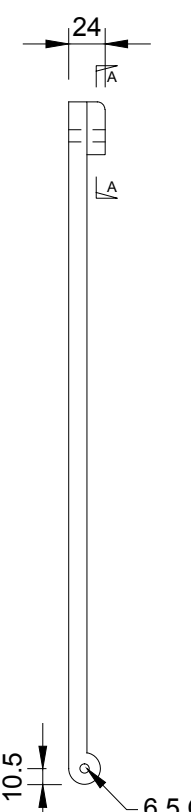
TRAFFIC DIRECTION



TOP VIEW (WITHOUT LID)



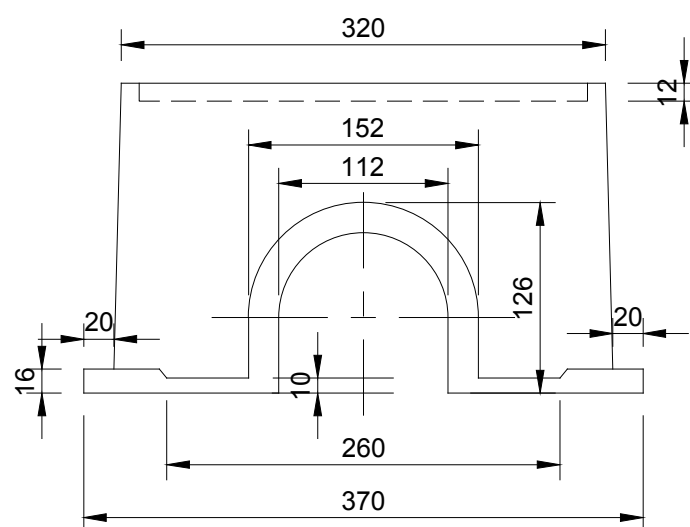
LID



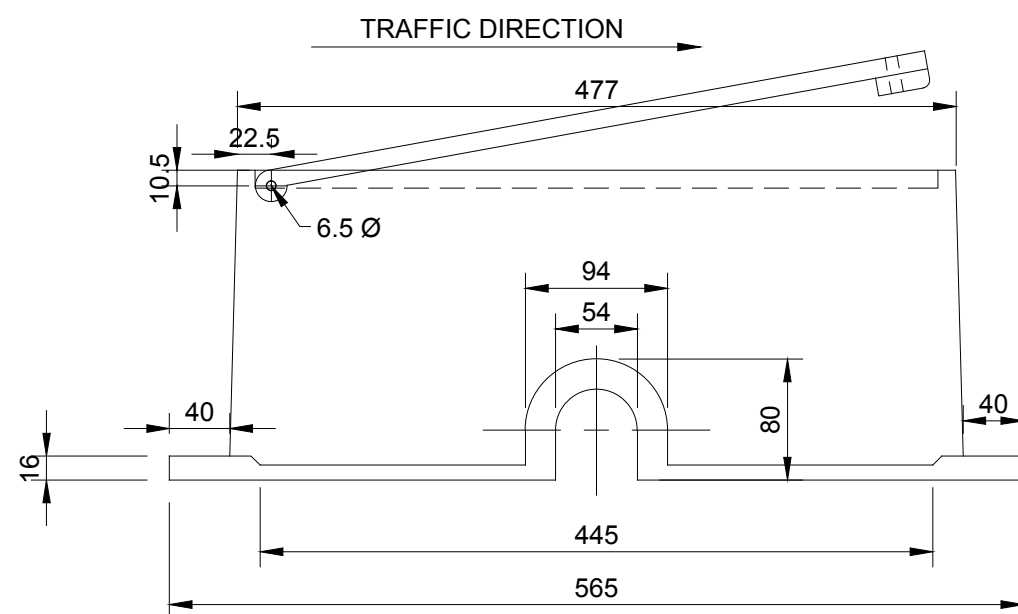
SECTION A-A

NOTES:

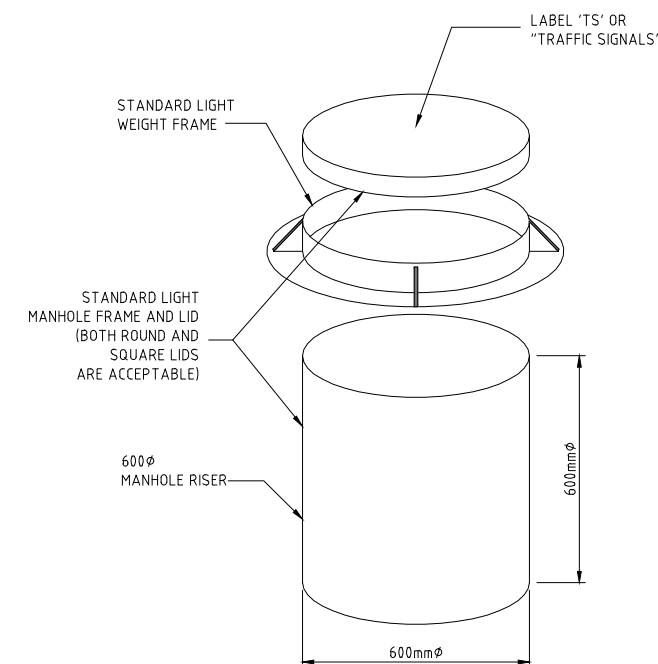
1. BED CABLE PIT ON 300mm OF FREE DRAINING COMPACTED GRANULAR MATERIAL.
2. BACK FILL WITH SAND AROUND CHAMBER.
3. 300mm WIDE CONCRETE MOWING PAD AROUND MANHOLE LID



FRONT VIEW



TRAFFIC SIDE VIEW



LOCAL CABLE PIT

DISCLAIMER: SEE SHEET 000-0000-0-7104-00

MONTROSE KERBSIDE JUNCTION BOX

	BY	CHECKED	DATE
DESIGN			
DRAWN	JWF	TLH	10/14
REC'D	T.L. HARRIS		14/10/14
APPROVED	S.D. HEWETT		10/14
R1 ITS STANDARDS UPDATE	TLH	5/6/15	This drawing and its contents are the property of Opus International Consultants Limited. Any unauthorised employment or reproduction, in full or in part, is forbidden.
AMENDMENT	APP'D	DATE	



TITLE							
NEW ZEALAND TRANSPORT AGENCY INTELLIGENT TRANSPORT SYSTEMS STANDARD							
KERBSIDE JUNCTION BOX & LOCAL CABLE PIT							
STATUS				FILE			
STANDARD				000-0000-0-7104-09-R1			
SCALE	PLOT DATE	FEATURE IDENTIFIER	CODE	SHEET	REVISION		
1:5 @A1	02/06/15 @ 08:04	1/1061/370	7104	09	R1		