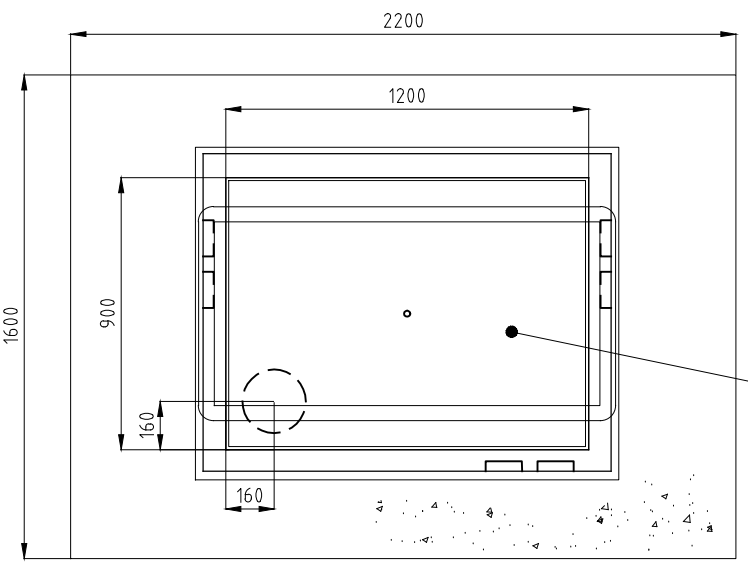


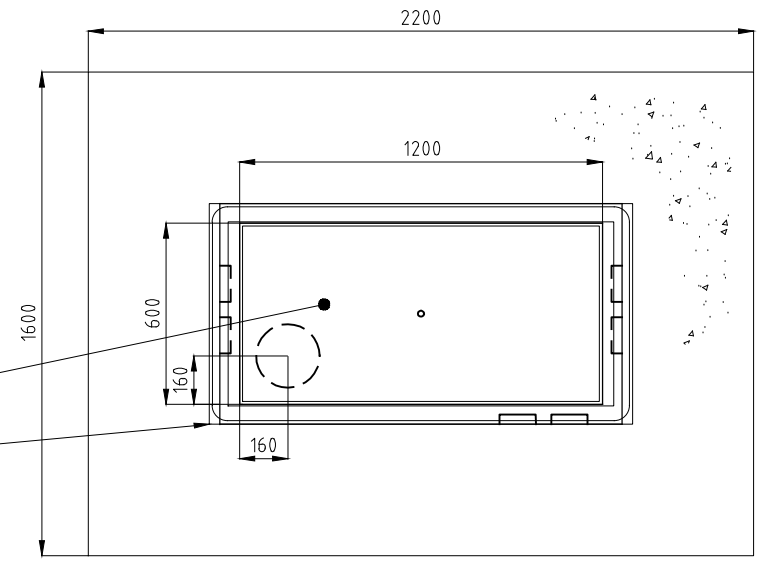
200 mm
100
50
10 mm
0

NOTES

1. DRILL STUDS 100mm INTO TOP OF VAULT AND CHEMSET IN PLACE.
2. LIDS AND COVERSETS LOAD RATING SHALL COMPLY WITH AS 3996
 1. CLASS C MEDIUM DUTY 150 kN LOADING IN BEAMS
 2. CLASS D HEAVY DUTY 210 kN LOADING IN CARRIAGEWAY.
3. COVERSET LIDS SHALL BE CAST ALUMINIUM WITH SLIP RESISTANCE COMPLYING WITH AS/NZS 3661-1-1993.
4. LIDS SHALL HAVE A CAST ALUMINIUM PLATE WITH THE NZ TRANSPORT AGENCY (NZTA) LOGO AND "NZTA" SECURELY FIXED TO THE LID.
5. CAST ALUMINIUM COVERSETS SHALL BE SECURED WITH AN APPROVED SECURITY ACCESS LOCK.
6. CABLE MANAGEMENT BRACKETS SHALL BE INSTALLED IN JOINTING CHAMBERS.

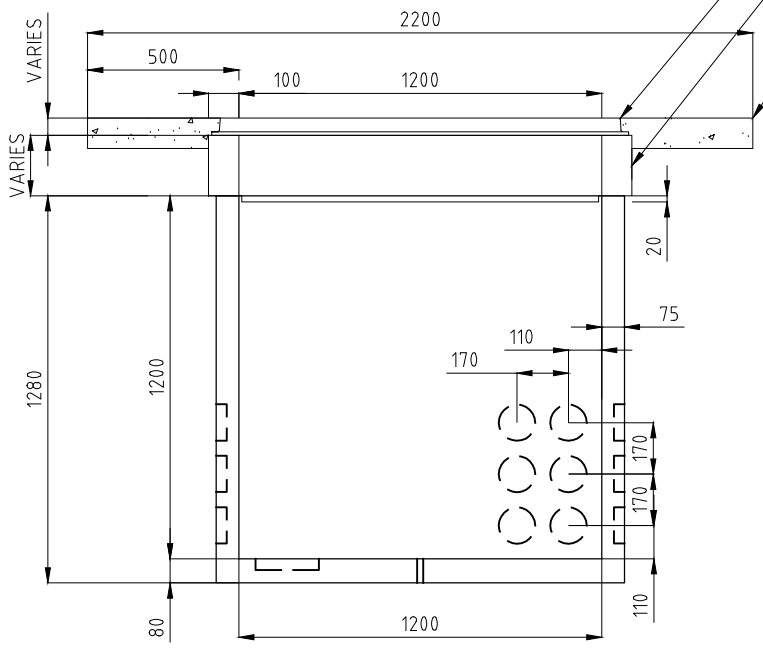


PLAN

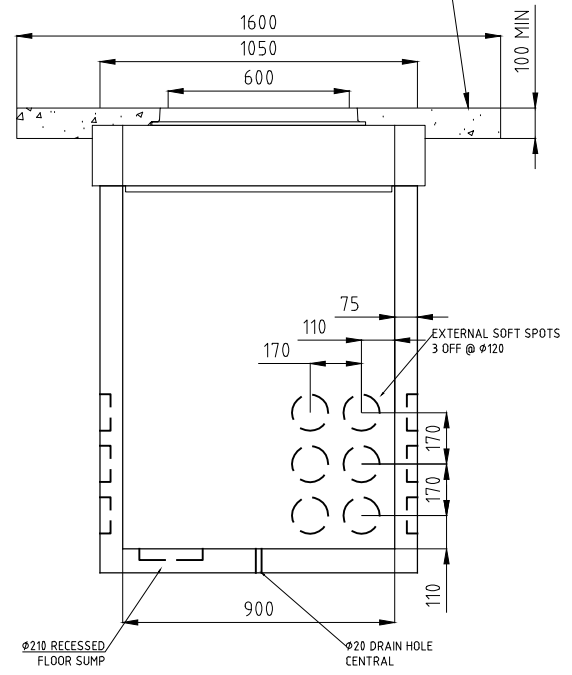


PLAN

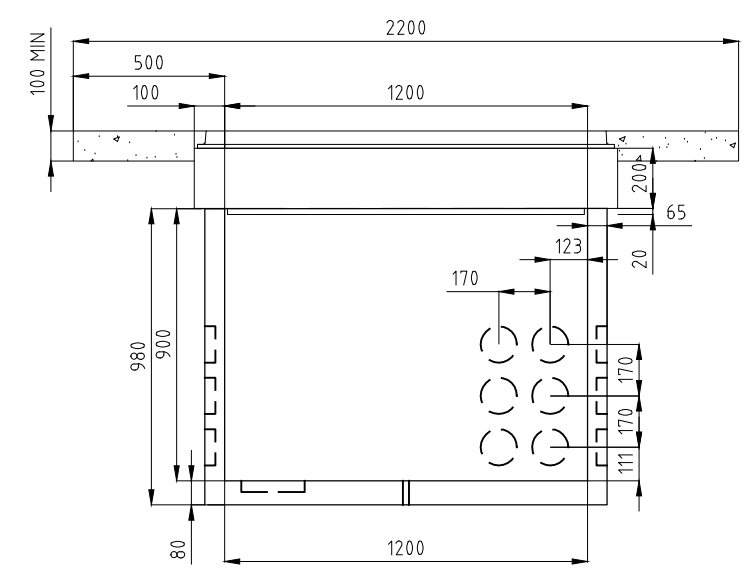
1200 x 600 COVERSET
PRECAST CONCRETE COVER
TOPPING CONCRETE



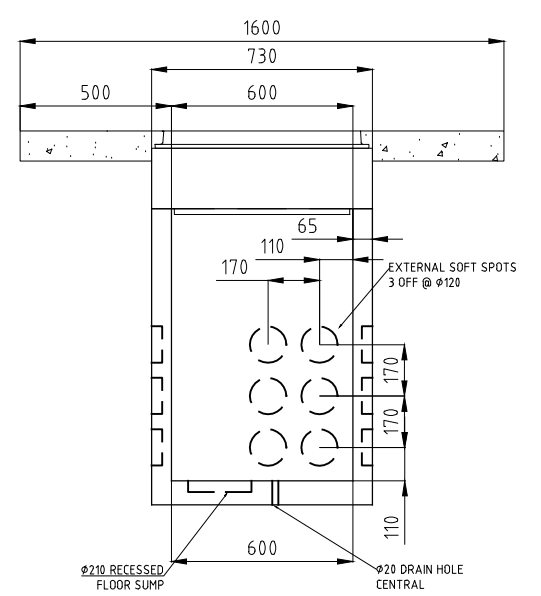
FRONT ELEVATION



END ELEVATION



FRONT ELEVATION



END ELEVATION

JOINTING CHAMBER

PULLING PIT

DISCLAIMER: SEE SHEET 000-0000-0-7104-00

AMENDMENT	APP'D	DATE
R2 CHAMBER LID ADDED FOR ITS 02.01 REISSUE	TLH	11/2/15
R1 UPDATE DIMENSIONS	PTA	14/2/12
R0 FOR INFORMATION		

DESIGN	BY	CHECKED	DATE
STANDARD			
PTA			1/11
T.L. HARRIS			11/1/11
APPROVED		S.D. HEWETT	1/11

This drawing and its contents are the property of Opus International Consultants Limited. Any unauthorised employment or reproduction, in full or in part, is forbidden.



Auckland Office

PO Box 5848
Auckland, New Zealand

Tel: +64 9 355 9500
Fax: +64 9 355 9585

OPUS
INTERNATIONAL CONSULTANTS

TITLE NZ TRANSPORT AGENCY INTELLIGENT TRANSPORT SYSTEM STANDARDS						
JOINTING CHAMBER AND PULLING PIT						
STATUS	STANDARD	FILE	000-0000-0-7104-01-R2			
SCALE	PLOT DATE	FEATURE IDENTIFIER	CODE	SHEET	REVISION	
1:25	11/02/15 @ 14:36	1/1061/370	7104	01	R2	