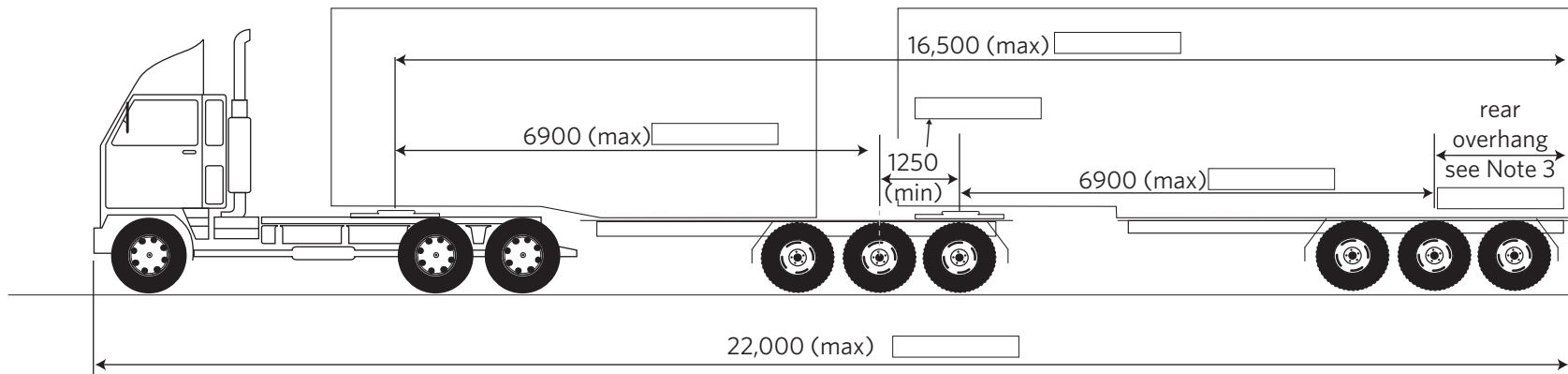


## 22m B-train



Please fill in the boxes with your vehicles dimensions

**Note 1** Axle groups can be replaced with alternate groups at the same axis points

**Note 2** Tractor can be 3-axle or 4-axle with twin steer

**Note 3** 1900 (min). Max. is lesser of 4300 or 50% of forward distance