

B ELEVATION ON MAIN SPAN
1:2000

This drawing has been prepared by Beca Infrastructure Ltd and AECOM New Zealand Ltd for the benefit of the NZ Transport Agency (NZTA) solely for the use by the NZTA for the purpose for which it has been prepared. This purpose being the Form Assessment Study input to the Additional Waitemata Harbour Crossing Business Case. No liability is accepted by these companies or any employee or sub-consultant of these companies with respect to its use by any other person. All rights reserved. No section or element of this document may be removed from this document, reproduced, electronically stored or transmitted in any form without the written permission of Beca Infrastructure Ltd and AECOM New Zealand Limited.

REVISIONS				
No.	BY	DATE	DESCRIPTION	APPD
A	PN	29.09.10	DRAFT FORM ASSESSMENT REPORT	

DESIGNED			
DRAWN			
APPROVED			
	PN	CHECKED	
		CHECKED	
		DATE	

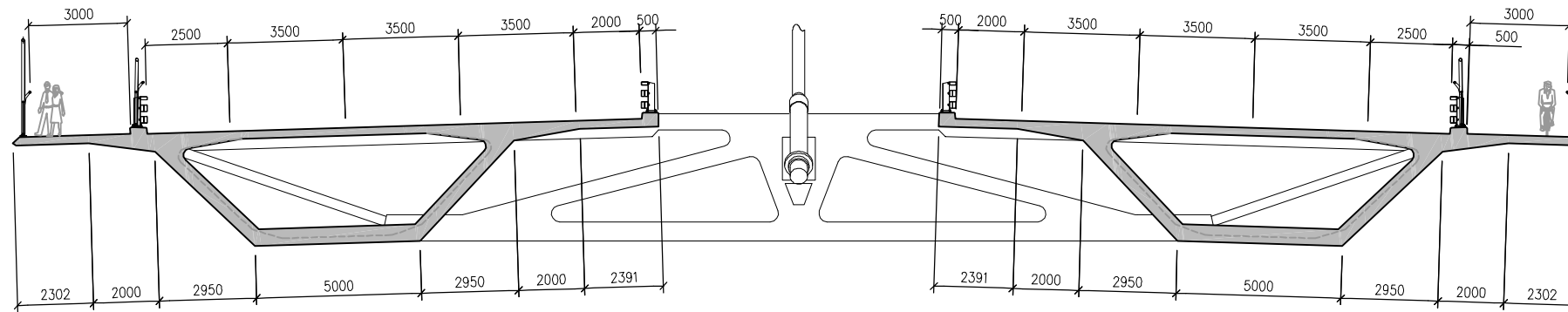
SCALES:

1:2000 A1

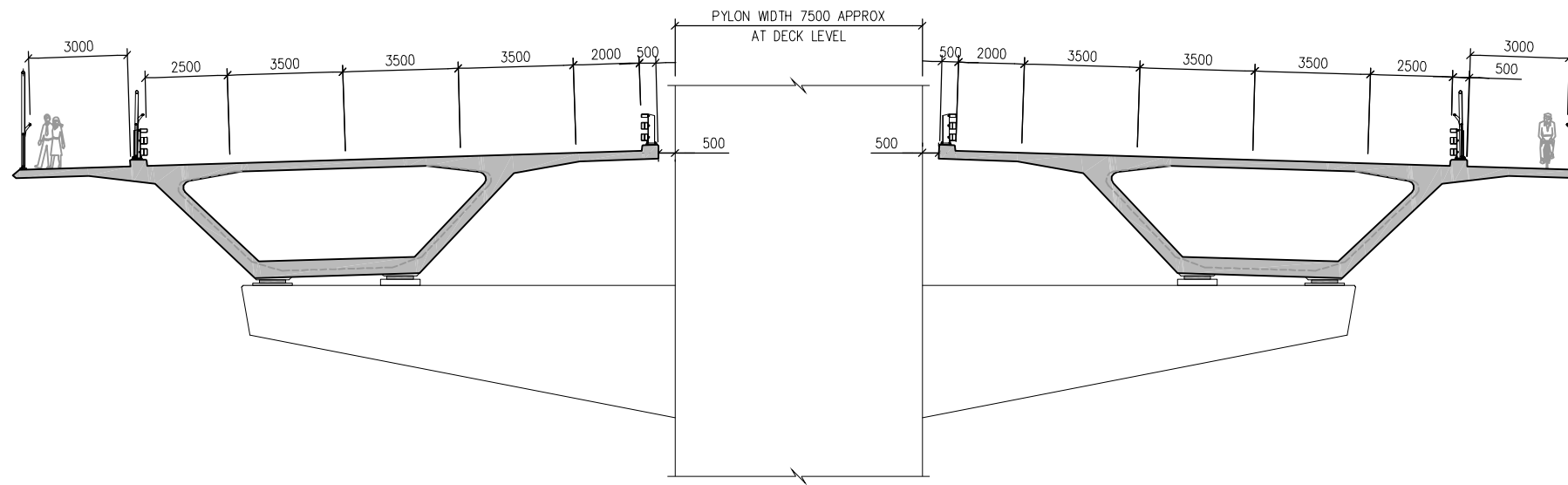
1:4000 A3



ADDITIONAL WAITEMATA HARBOUR CROSSING			
BRIDGE OPTION CABLE STAYED SPANS - PLAN & ELEVATION			
A1	STATUS: FORM ASSESSMENT STUDY	DRAWING NO: 60157303-TR-063	REV: A



1 TYPICAL SECTION AT CABLE STAY
- 1:100



1 TYPICAL SECTION AT PYLON
- 1:100

This drawing has been prepared by Beca Infrastructure Ltd and AECOM New Zealand Ltd for the benefit of the NZ Transport Agency (NZTA) solely for the use by the NZTA for the purpose for which it has been prepared. This purpose being the Form Assessment Study input to the Additional Waitemata Harbour Crossing Business Case. No liability is accepted by these companies or any employee or sub-consultant of these companies with respect to its use by any other person. All rights reserved. No section or element of this document may be removed from this document, reproduced, electronically stored or transmitted in any form without the written permission of Beca Infrastructure Ltd and AECOM New Zealand Limited

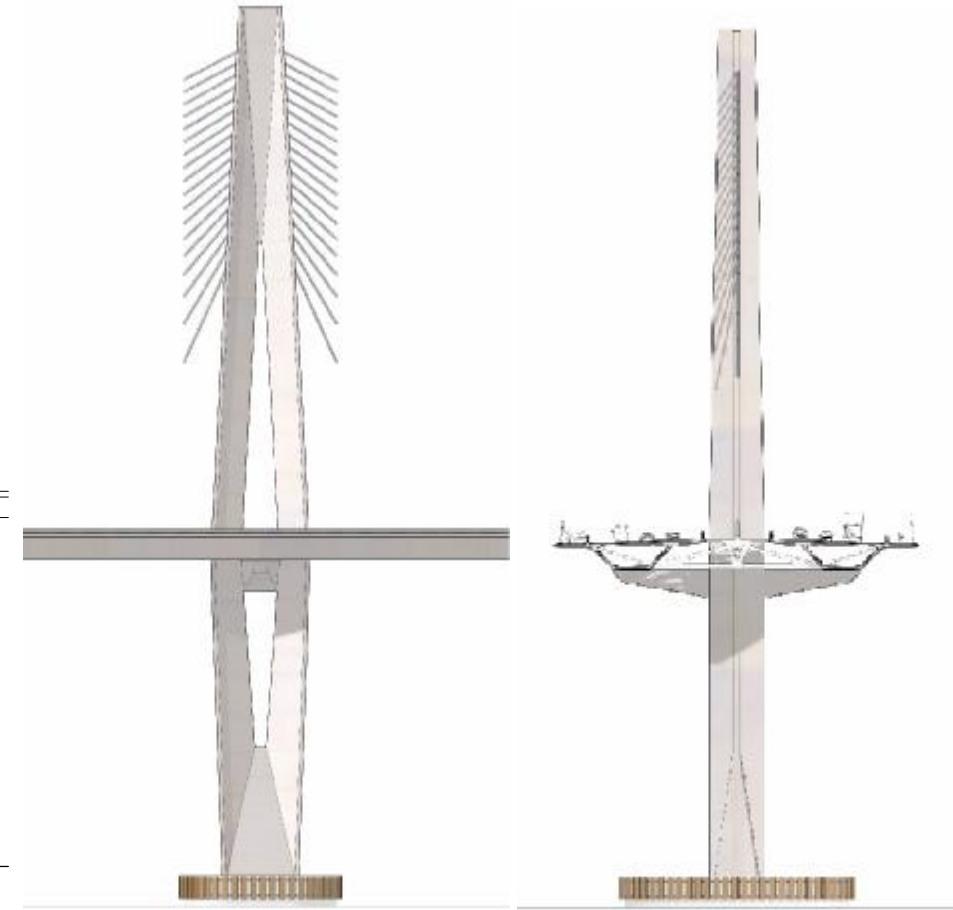
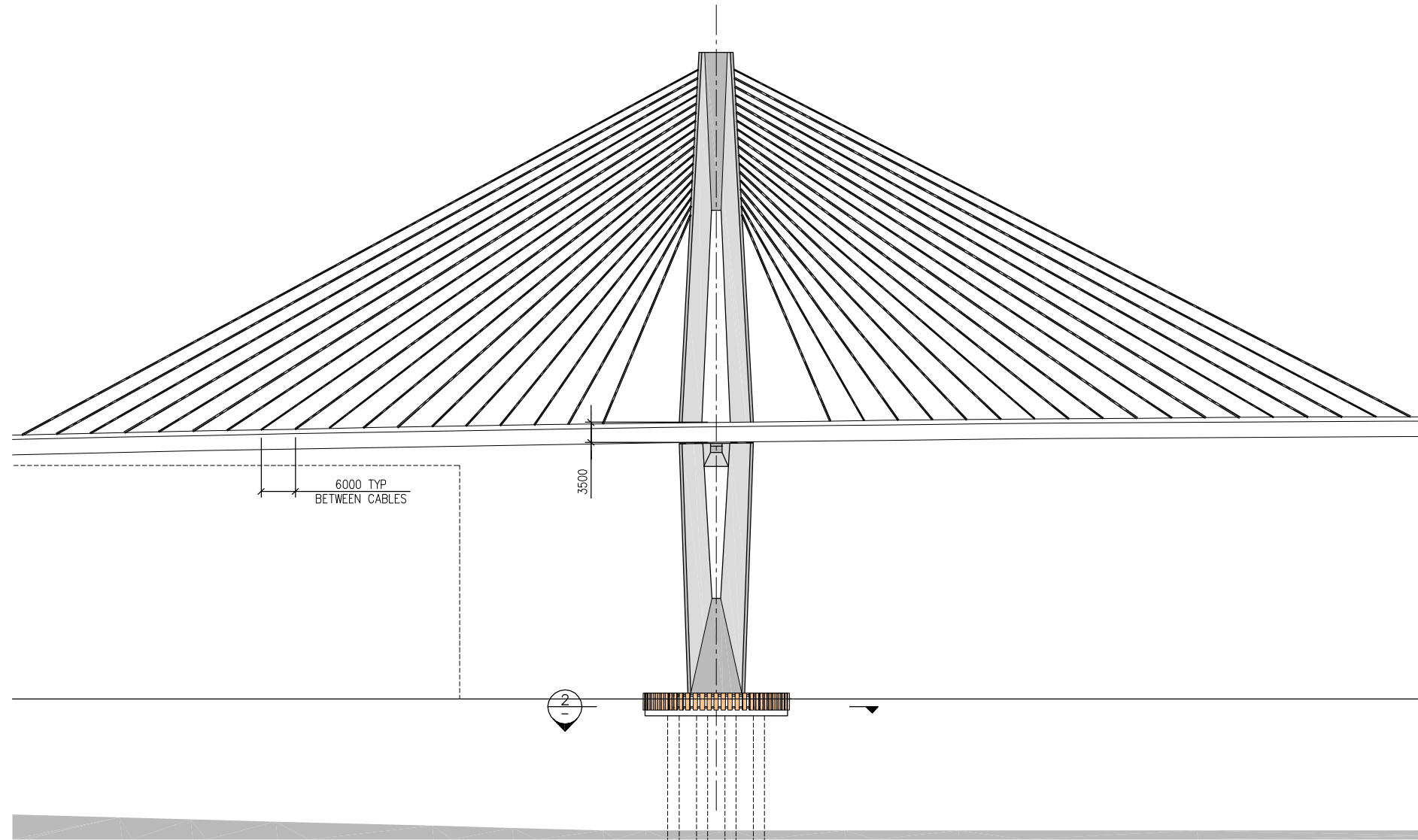
REVISIONS				
No.	BY	DATE	DESCRIPTION	APPD
A	PN	29.09.10	DRAFT FORM ASSESSMENT REPORT	

DESIGNED				CHECKED			
DRAWN				CHECKED			
			PN				
APPROVED				DATE			

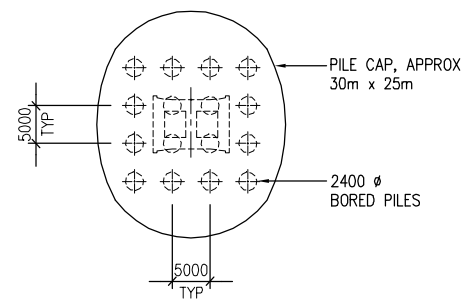
SCALES:
1:100 @ A1
1:200 @ A3



ADDITIONAL WAITEMATA HARBOUR CROSSING			
BRIDGE OPTION MAIN SPANS - TYPICAL CROSS SECTIONS			
A1	STATUS: FORM ASSESSMENT STUDY	DRAWING NO: 60157303-TR-064	REV: A



A ELEVATION ON TYPICAL PYLON
1:500



2 PLAN ON PYLON FOUNDATION
1:500

This drawing has been prepared by Beca Infrastructure Ltd and AECOM New Zealand Ltd for the benefit of the NZ Transport Agency (NZTA) solely for the use by the NZTA for the purpose for which it has been prepared. This purpose being the Form Assessment Study input to the Additional Waitemata Harbour Crossing Business Case. No liability is accepted by these companies or any employee or sub-consultant of these companies with respect to its use by any other person. All rights reserved. No section or element of this document may be removed from this document, reproduced, electronically stored or transmitted in any form without the written permission of Beca Infrastructure Ltd and AECOM New Zealand Limited

This drawing is confidential and shall only be used for the purposes of this project.

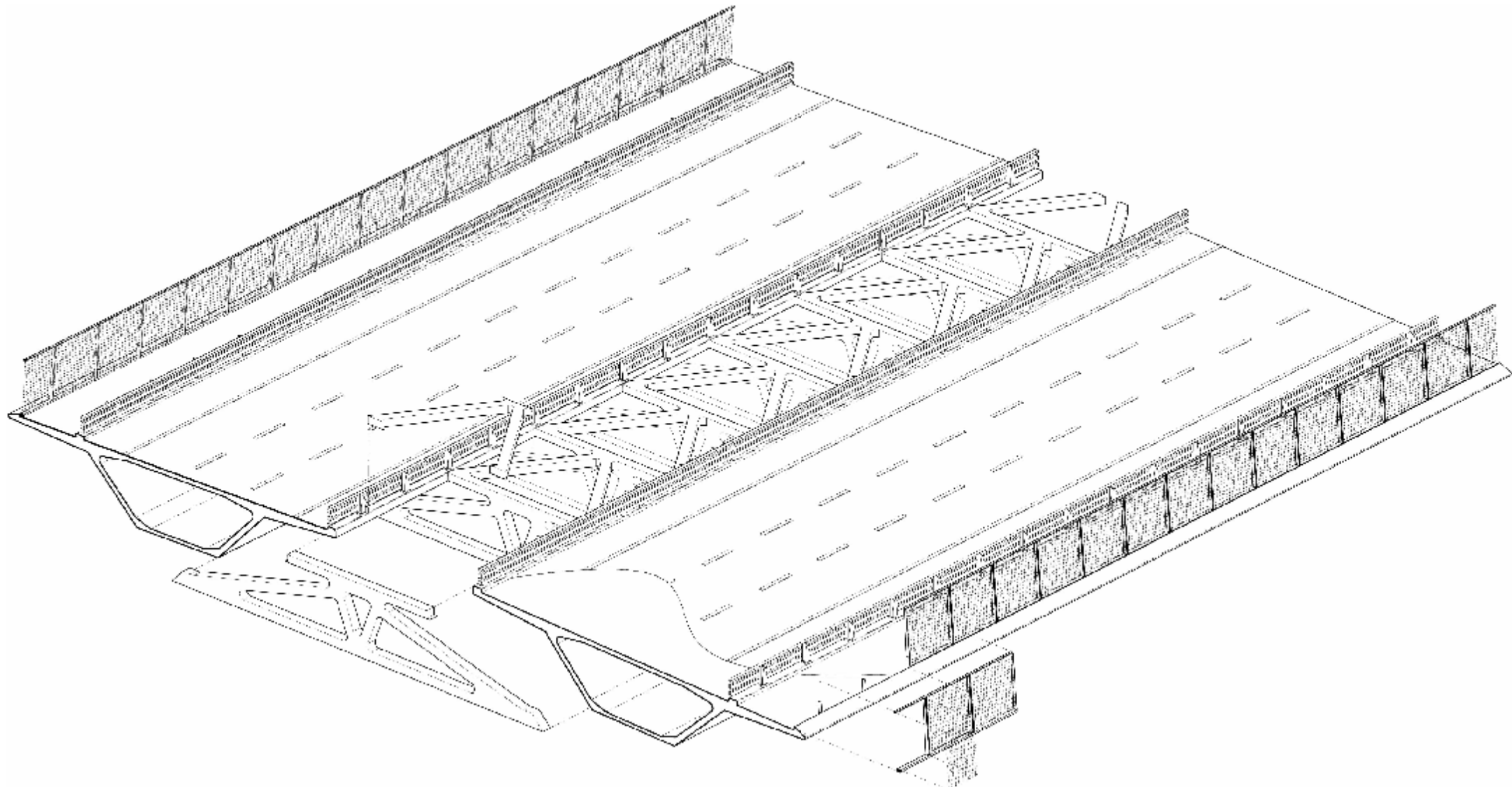
REVISIONS				
No.	BY	DATE	DESCRIPTION	APPD
A	PN	29.09.10	DRAFT FORM ASSESSMENT REPORT	

DESIGNED			
DRAWN			
APPROVED			
	PN	CHECKED	
		CHECKED	
		DATE	

SCALES:
1:500 @ A1
1:1000 @ A3



ADDITIONAL WAITEMATA HARBOUR CROSSING			
BRIDGE OPTION MAIN SPANS - PYLON DETAILS			
A1	STATUS: FORM ASSESSMENT STUDY	DRAWING NO: 60157303-TR-065	REV: A



This drawing has been prepared by Beca Infrastructure Ltd and AECOM New Zealand Ltd for the benefit of the NZ Transport Agency (NZTA) solely for the use by the NZTA for the purpose for which it has been prepared. This purpose being the Form Assessment Study input to the Additional Waitemata Harbour Crossing Business Case. No liability is accepted by these companies or any employee or sub-consultant of these companies with respect to its use by any other person. All rights reserved. No section or element of this document may be removed from this document, reproduced, electronically stored or transmitted in any form without the written permission of Beca Infrastructure Ltd and AECOM New Zealand Limited

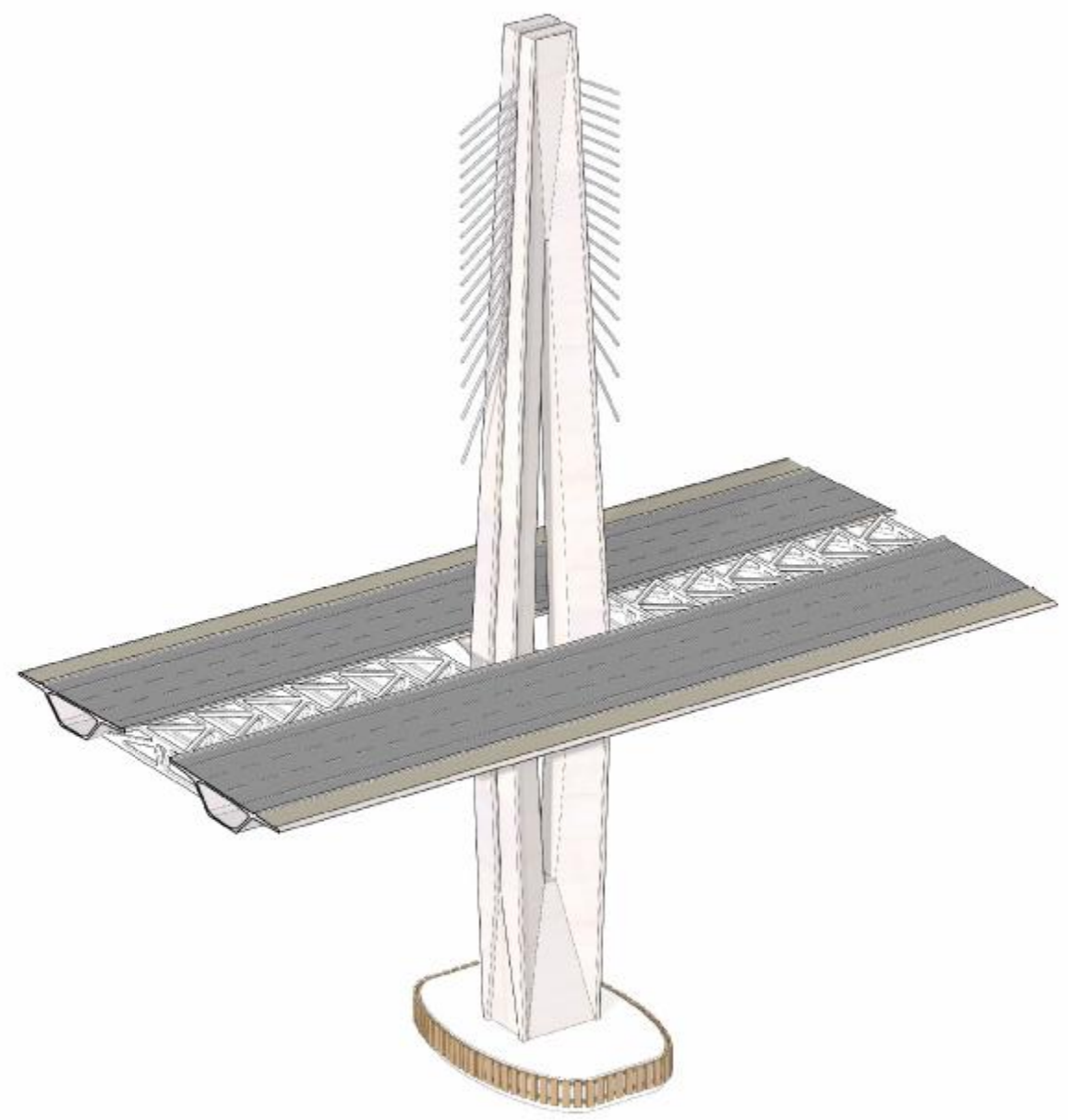
REVISIONS				
No.	BY	DATE	DESCRIPTION	APPD
A	PN	29.09.10	DRAFT FORM ASSESSMENT REPORT	

DESIGNED	CHECKED
DRAWN	CHECKED
APPROVED	DATE

SCALES:
NTS



ADDITIONAL WAIITEMATA HARBOUR CROSSING			
BRIDGE OPTION AXONOMETRIC BRIDGE DECK DETAILS			
A1	STATUS: FORM ASSESSMENT STUDY	DRAWING NO: 60157303-TR-066	REV: A



This drawing has been prepared by Beca Infrastructure Ltd and AECOM New Zealand Ltd for the benefit of the NZ Transport Agency (NZTA) solely for the use by the NZTA for the purpose for which it has been prepared. This purpose being the Form Assessment Study input to the Additional Waitemata Harbour Crossing Business Case. No liability is accepted by these companies or any employee or sub-consultant of these companies with respect to its use by any other person. All rights reserved. No section or element of this document may be removed from this document, reproduced, electronically stored or transmitted in any form without the written permission of Beca Infrastructure Ltd and AECOM New Zealand Limited

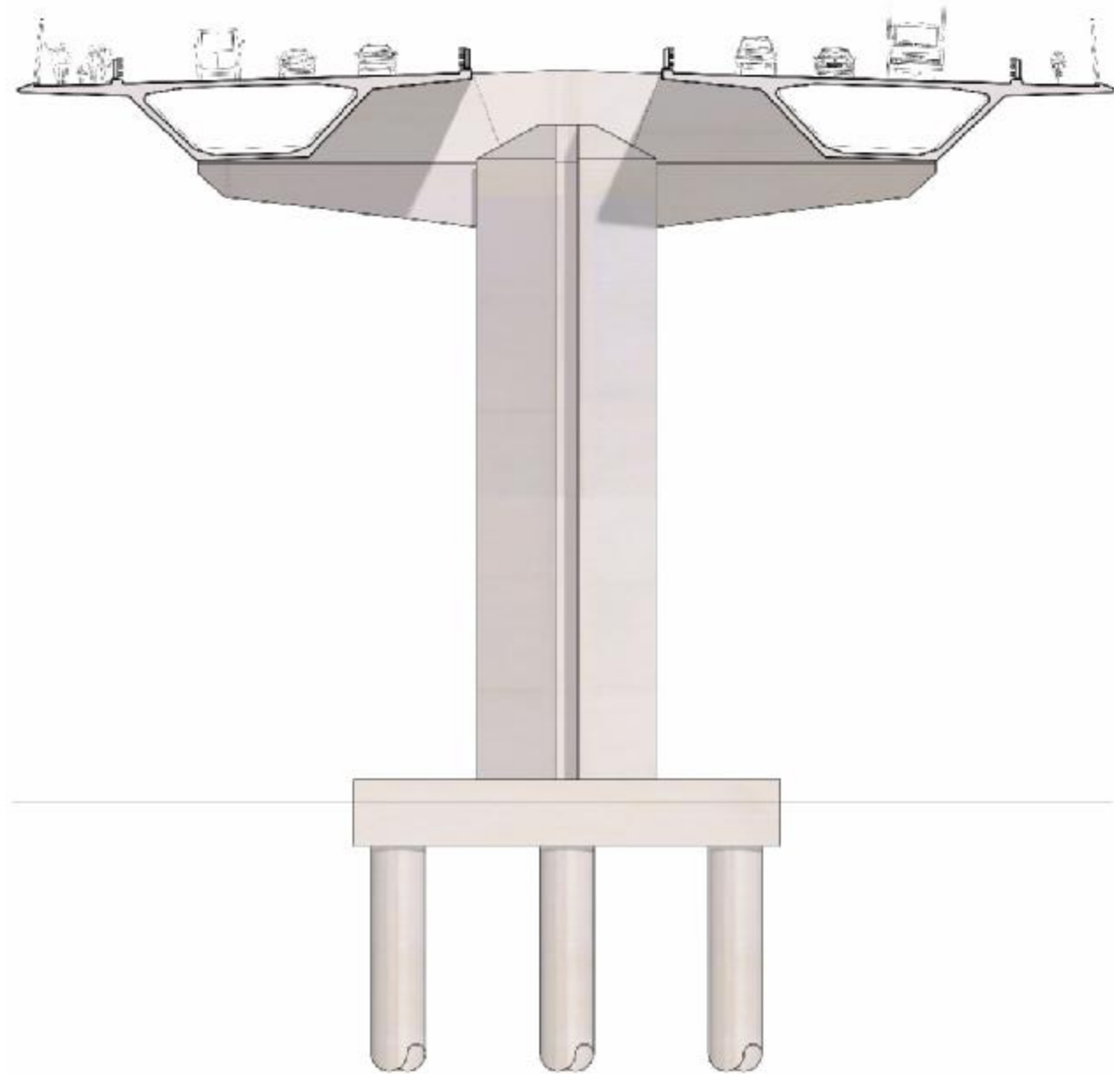
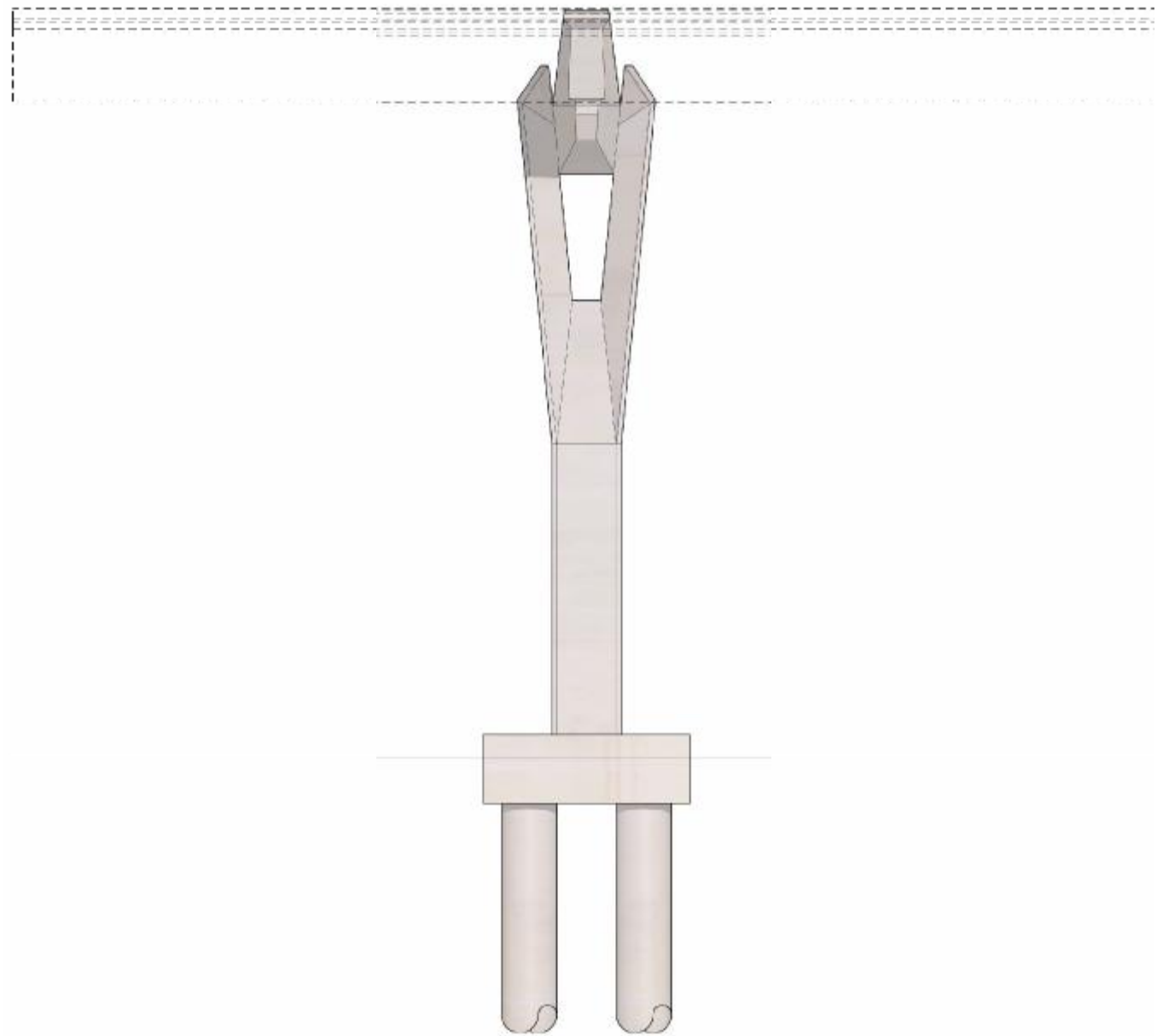
REVISIONS				
No.	BY	DATE	DESCRIPTION	APPD
A	PN	29.09.10	DRAFT FORM ASSESSMENT REPORT	

DESIGNED	CHECKED

SCALES:
NTS



ADDITIONAL WAITEMATA HARBOUR CROSSING			
BRIDGE OPTION AXONOMETRIC PYLON DETAILS			
A1	STATUS: FORM ASSESSMENT STUDY	DRAWING NO: 60157303-TR-067	REV: A



This drawing has been prepared by Beca Infrastructure Ltd and AECOM New Zealand Ltd for the benefit of the NZ Transport Agency (NZTA) solely for the use by the NZTA for the purpose for which it has been prepared. This purpose being the Form Assessment Study input to the Additional Waitemata Harbour Crossing Business Case. No liability is accepted by these companies or any employee or sub-consultant of these companies with respect to its use by any other person. All rights reserved. No section or element of this document may be removed from this document, reproduced, electronically stored or transmitted in any form without the written permission of Beca Infrastructure Ltd and AECOM New Zealand Limited

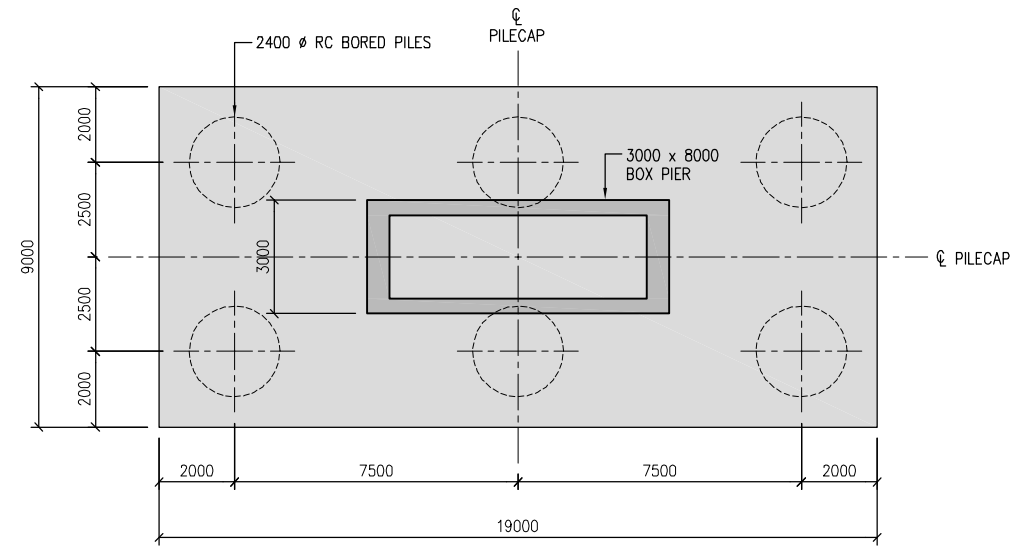
REVISIONS				
No.	BY	DATE	DESCRIPTION	APPD
A	PN	29.09.10	DRAFT FORM ASSESSMENT REPORT	

DESIGNED	CHECKED
DRAWN	CHECKED
APPROVED	DATE

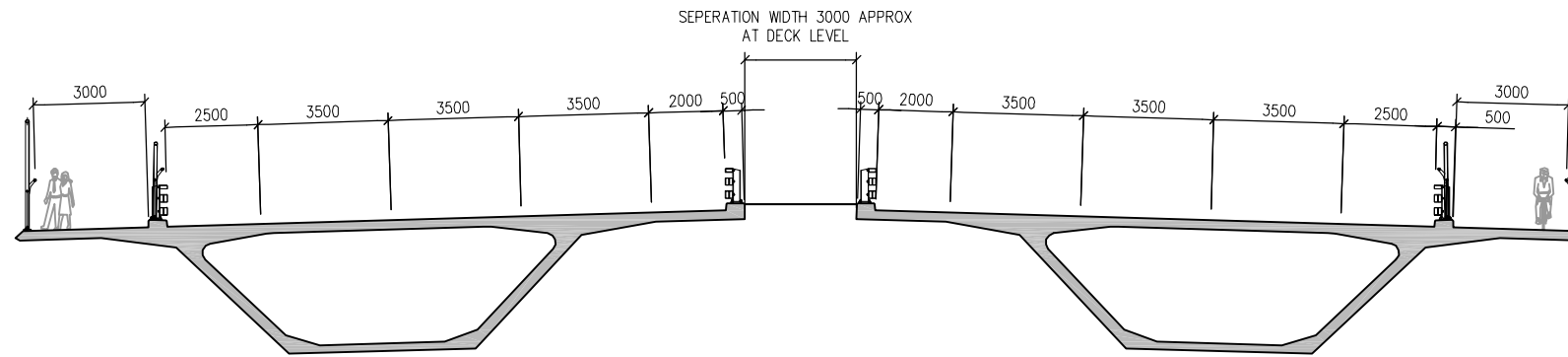
SCALES:
NTS



ADDITIONAL WAITEMATA HARBOUR CROSSING			
BRIDGE OPTION APPROACH SPANS - PIER ELEVATIONS			
A1	STATUS: FORM ASSESSMENT STUDY	DRAWING NO: 60157303-TR-068	REV: A



C PLAN – APPROACH VIADUCT PILE CAP
1:100



D SECTION – DECK AT MIDSPAN
1:100

This drawing has been prepared by Beca Infrastructure Ltd and AECOM New Zealand Ltd for the benefit of the NZ Transport Agency (NZTA) solely for the use by the NZTA for the purpose for which it has been prepared. This purpose being the Form Assessment Study input to the Additional Waitemata Harbour Crossing Business Case. No liability is accepted by these companies or any employee or sub-consultant of these companies with respect to its use by any other person. All rights reserved. No section or element of this document may be removed from this document, reproduced, electronically stored or transmitted in any form without the written permission of Beca Infrastructure Ltd and AECOM New Zealand Limited

This drawing is confidential and shall only be used for the purposes of this project.				
REVISIONS				
No.	BY	DATE	DESCRIPTION	APPD
A	PN	29.09.10	DRAFT FORM ASSESSMENT REPORT	

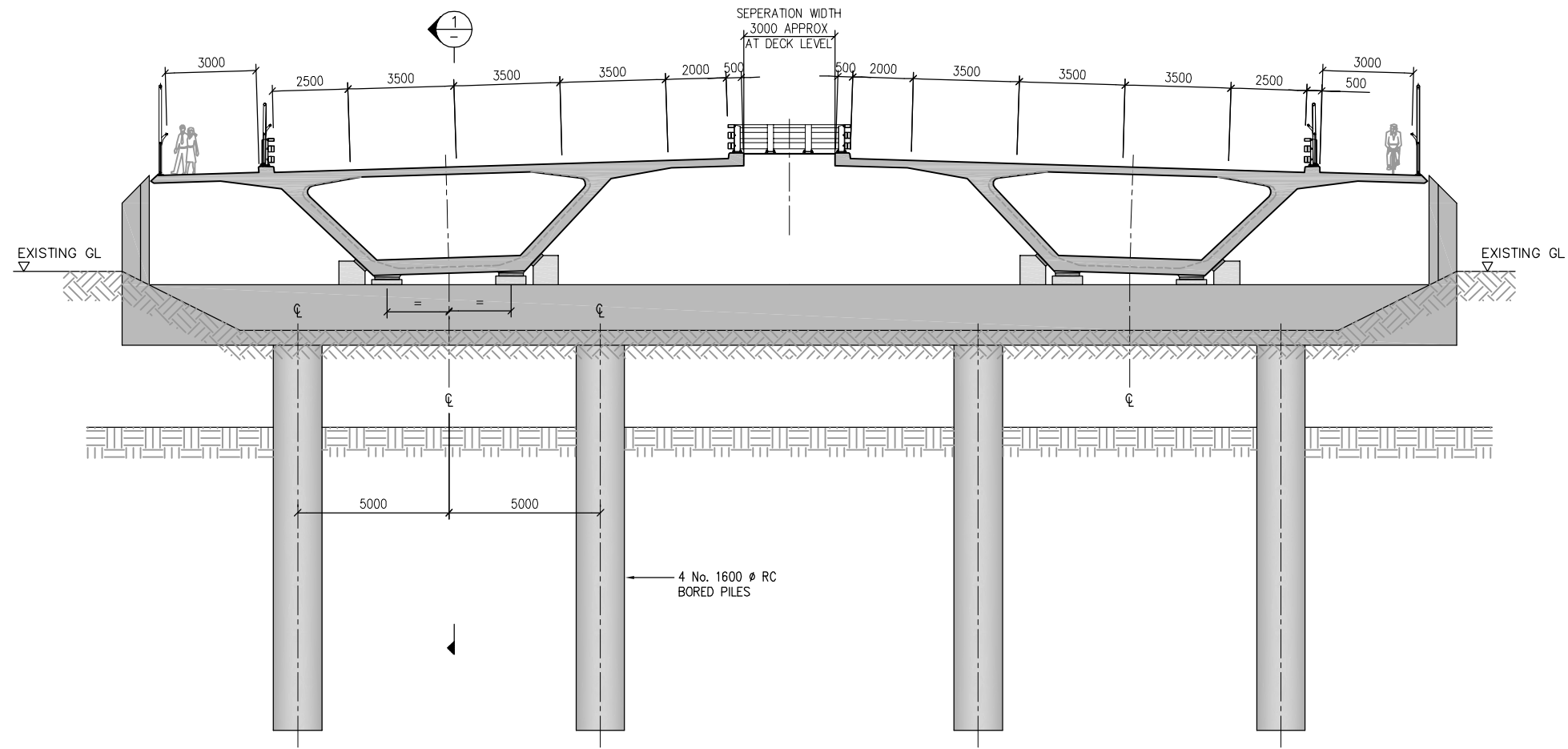
DESIGNED	CHECKED	
DRAWN	PN	CHECKED
APPROVED	DATE	

SCALES:
1:100 @ A1
1:200 @ A3

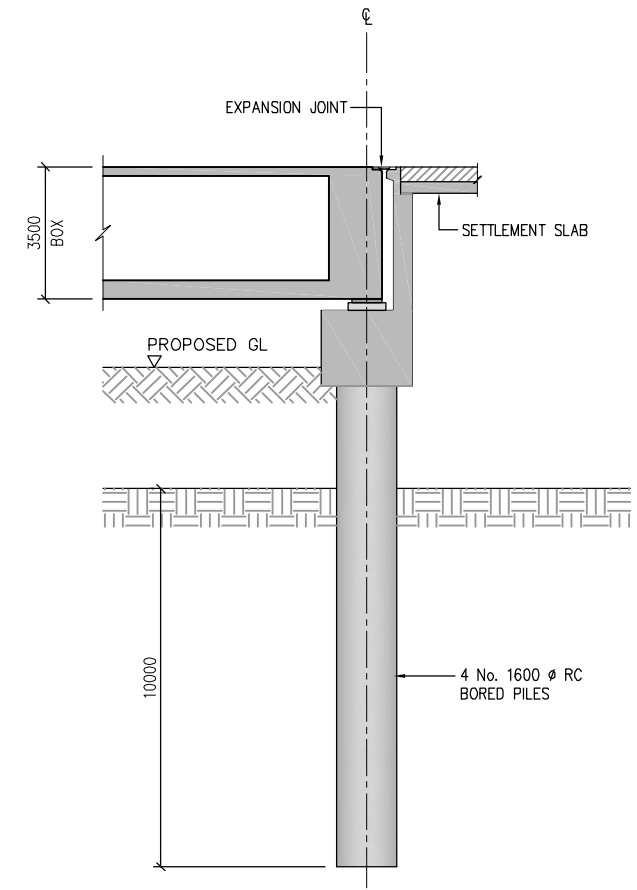


ADDITIONAL WAITEMATA HARBOUR CROSSING			
BRIDGE OPTION APPROACH SPANS - MID SPAN CROSS SECTION AND PILE CAP DETAILS			
A1	STATUS: FORM ASSESSMENT STUDY	DRAWING NO: 60157303-TR-069	REV: A

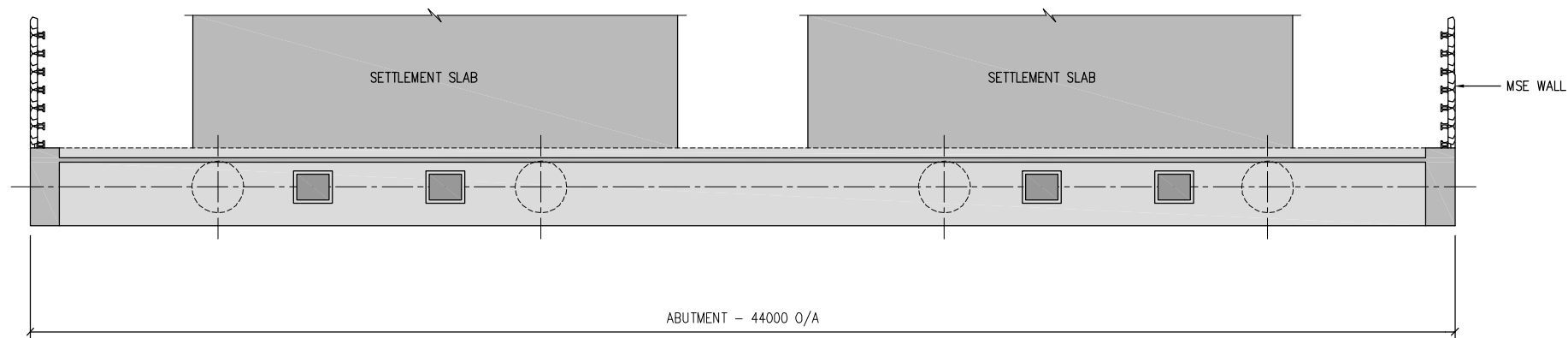
Last saved Wed, 29 Sep 2010 03:44 pm



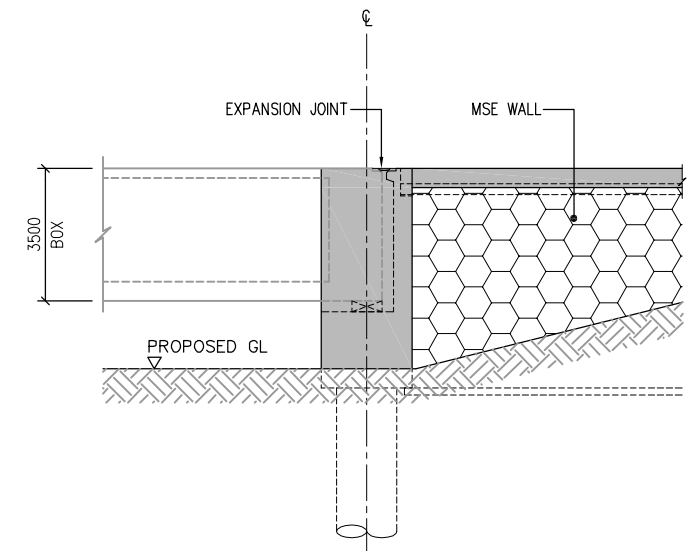
(A) SOUTH ABUTMENT ELEVATION
1:100



(1) CROSS SECTION
1:100



(B) PLAN - ABUTMENT
1:100



(C) SIDE ELEVATION
1:100

CAD Ref: P:\391\3910628\CAD\60157303-TR-070.dwg

This drawing has been prepared by Beca Infrastructure Ltd and AECOM New Zealand Ltd for the benefit of the NZ Transport Agency (NZTA) solely for the use by the NZTA for the purpose for which it has been prepared. This purpose being the Form Assessment Study input to the Additional Waitemata Harbour Crossing Business Case. No liability is accepted by these companies or any employee or sub-consultant of these companies with respect to its use by any other person. All rights reserved. No section or element of this document, reproduced, electronically stored or transmitted in any form without the written permission of Beca Infrastructure Ltd and AECOM New Zealand Limited

REVISIONS				
No.	BY	DATE	DESCRIPTION	APPD
A	PN	29.09.10	DRAFT FORM ASSESSMENT REPORT	

DESIGNED			
DRAWN			
APPROVED			
	PN	CHECKED	
		CHECKED	
		DATE	

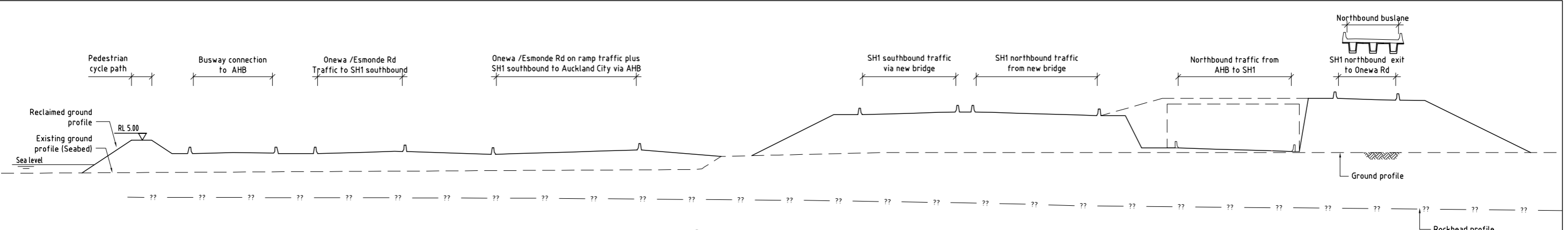
SCALES:
1:100 @ A1
1:200 @ A3



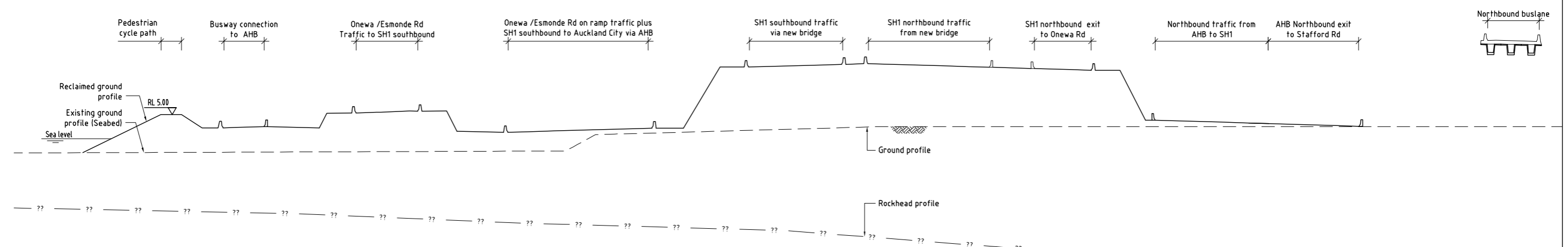
ADDITIONAL WAITEMATA HARBOUR CROSSING			
BRIDGE OPTION			
APPROACH SPANS - ABUTMENT DETAILS			
A1	STATUS: FORM ASSESSMENT STUDY	DRAWING NO: 60157303-TR-070	REV: A

Last saved Mon, 11 Oct 2016 05:05 pm

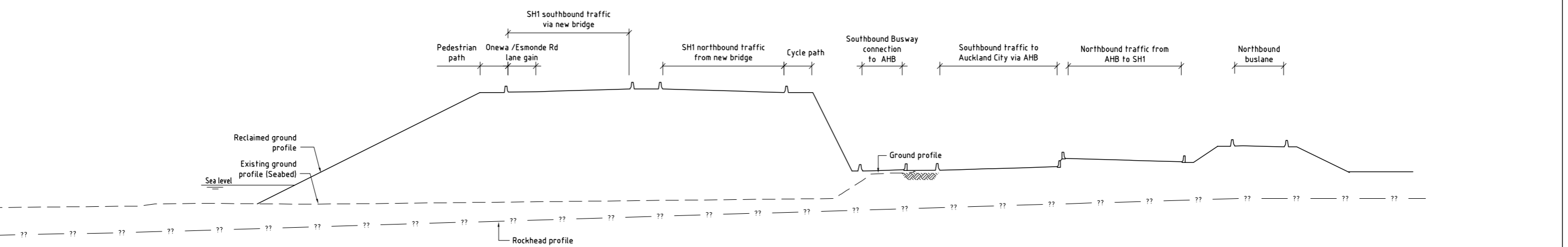
CAD Ref: P:\A\TTP BECA001 Waitemata Hbr (60157303)\5. CADD\5.6 Final drawings\60157303-TR-071.dwg



1 TYPICAL SECTION @ APPROX. DIST. 2900
TR-052 1:250



2 TYPICAL SECTION @ APPROX. DIST. 3050
TR-053 1:250



3 TYPICAL SECTION @ APPROX. DIST. 3400
TR-053 1:250

This drawing has been prepared by Beca Infrastructure Ltd and AECOM New Zealand Ltd for the benefit of the NZ Transport Agency (NZTA) solely for the use by the NZTA for the purpose for which it has been prepared. This purpose being the Form Assessment Study input to the Additional Waitemata Harbour Crossing Business Case. No liability is accepted by these companies or any employee or sub-consultant of these companies with respect to its use by any other person. All rights reserved. No section or element of this document may be removed from this document, reproduced, electronically stored or transmitted in any form without the written permission of Beca Infrastructure Ltd and AECOM New Zealand Limited

REVISIONS				
No.	BY	DATE	DESCRIPTION	APPD
0	IMH	15.10.10	FORM ASSESSMENT REPORT	

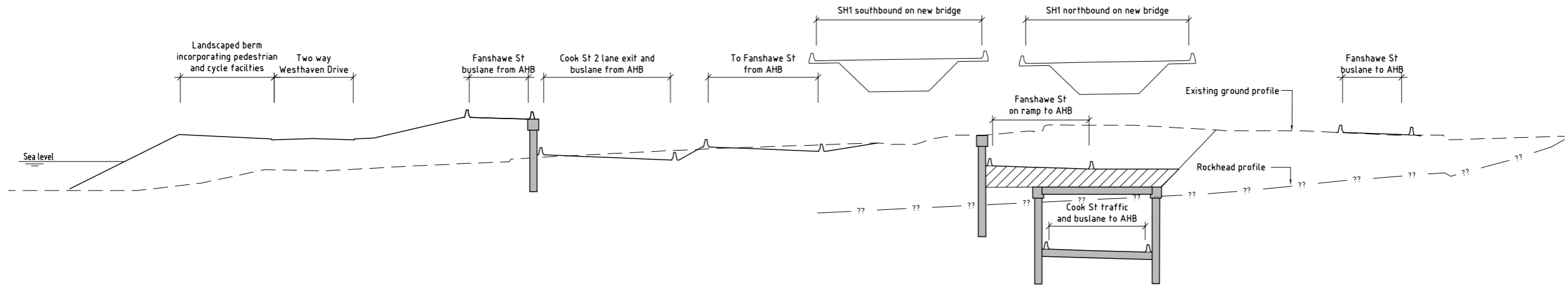
DESIGNED	KR	CHECKED	GJH
DRAWN	IH	CHECKED	GJH
APPROVED		DATE	

SCALES:
AS SHOWN
HALF SIZE

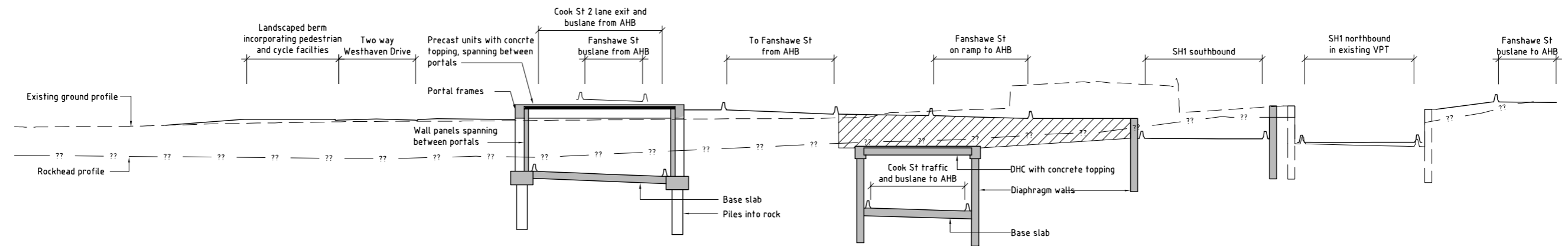


ADDITIONAL WAITEMATA HARBOUR CROSSING			
BRIDGE OPTION			
NORTHERN SECTOR - TYPICAL CROSS SECTIONS			
A1	STATUS FORM ASSESSMENT STUDY	DRAWING NO. 60157303-TR-071	REV. 0

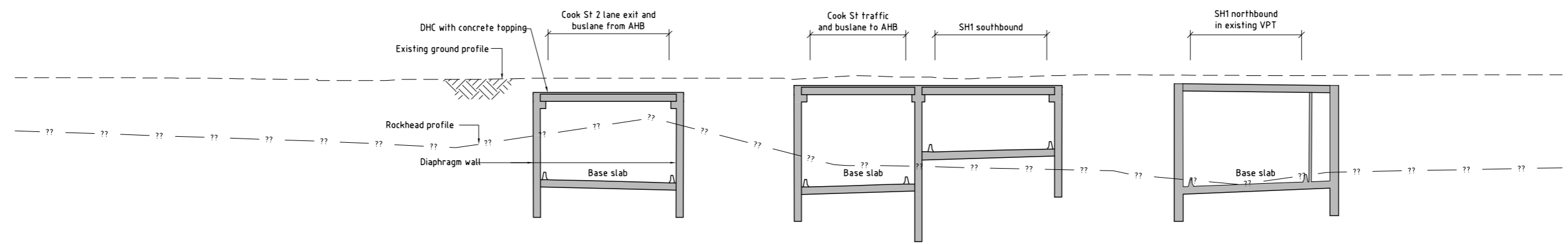
Last saved Mon, 11 Oct 2016 05:05 pm



1 TYPICAL SECTION @ APPROX DIST. 5800
TR-055 1:250



2 TYPICAL SECTION @ APPROX DIST. 6150
TR-055 1:250



3 TYPICAL SECTION @ APPROX DIST. 6500
TR-055 1:250

CAD Ref: P:\A\TTP BECA\001 Waitemata Hbr (60157303)\5. CAD\5.6 Final drawings\60157303-TR-072.dwg

This drawing has been prepared by Beca Infrastructure Ltd and AECOM New Zealand Ltd for the benefit of the NZ Transport Agency (NZTA) solely for the use by the NZTA for the purpose for which it has been prepared. This purpose being the Form Assessment Study input to the Additional Waitemata Harbour Crossing Business Case. No liability is accepted by these companies or any employee or sub-consultant of these companies with respect to its use by any other person. All rights reserved. No section or element of this document may be removed from this document, reproduced, electronically stored or transmitted in any form without the written permission of Beca Infrastructure Ltd and AECOM New Zealand Limited

REVISIONS				
No.	BY	DATE	DESCRIPTION	APPD
0	IMH	15.10.10	FORM ASSESSMENT REPORT	

DESIGNED	TKS	CHECKED	ADC
DRAWN	IH	CHECKED	GJH
APPROVED		DATE	

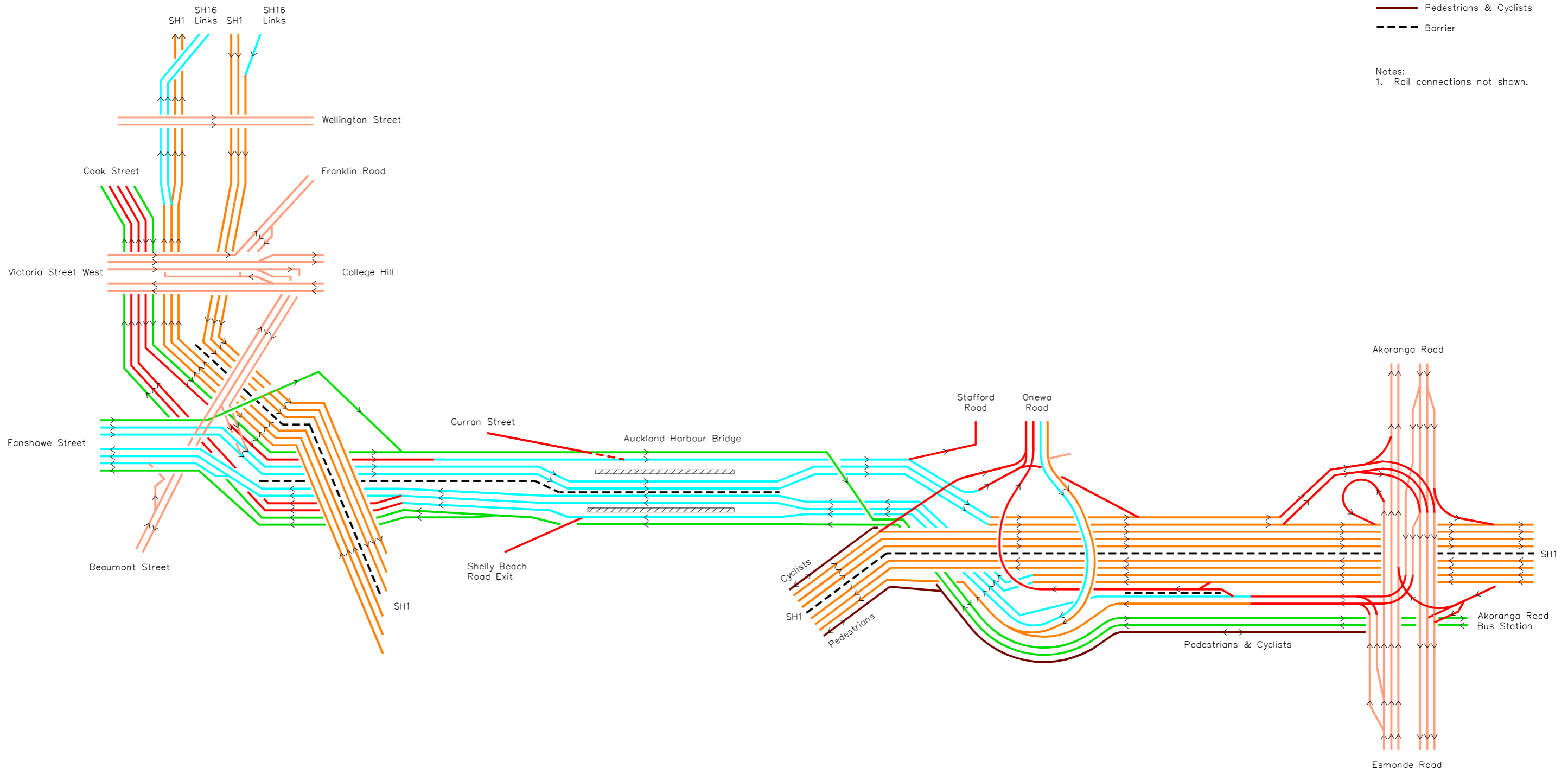
SCALES:
AS SHOWN
HALF SIZE



ADDITIONAL WAITEMATA HARBOUR CROSSING			
BRIDGE OPTION			
SOUTHERN SECTOR - TYPICAL CROSS SECTIONS			
A1	STATUS FORM ASSESSMENT STUDY	DRAWING NO. 60157303-TR-072	REV. 0

- LEGEND:**
- Bus Lane
 - Mainline (SH1)
 - Harbour Bridge/SH16
 - Ramps
 - Local Roads
 - Pedestrians & Cyclists
 - Barrier

Notes:
1. Rail connections not shown.



This drawing has been prepared by Beca Infrastructure Ltd and AECOM New Zealand Ltd for the benefit of the NZ Transport Agency (NZTA) solely for the use by the NZTA for the purpose for which it has been prepared. This purpose being the Form Assessment Study input to the Additional Waitemata Harbour Crossing Business Case. No liability is accepted by these companies or any employee or sub-consultant of these companies with respect to its use by any other person. All rights reserved. No section or element of this document may be removed from this document, reproduced, electronically stored or transmitted in any form without the written permission of Beca Infrastructure Ltd and AECOM New Zealand Limited

REVISIONS				
No.	BY	DATE	DESCRIPTION	APPD
0	IMH	15.10.10	FORM ASSESSMENT REPORT	

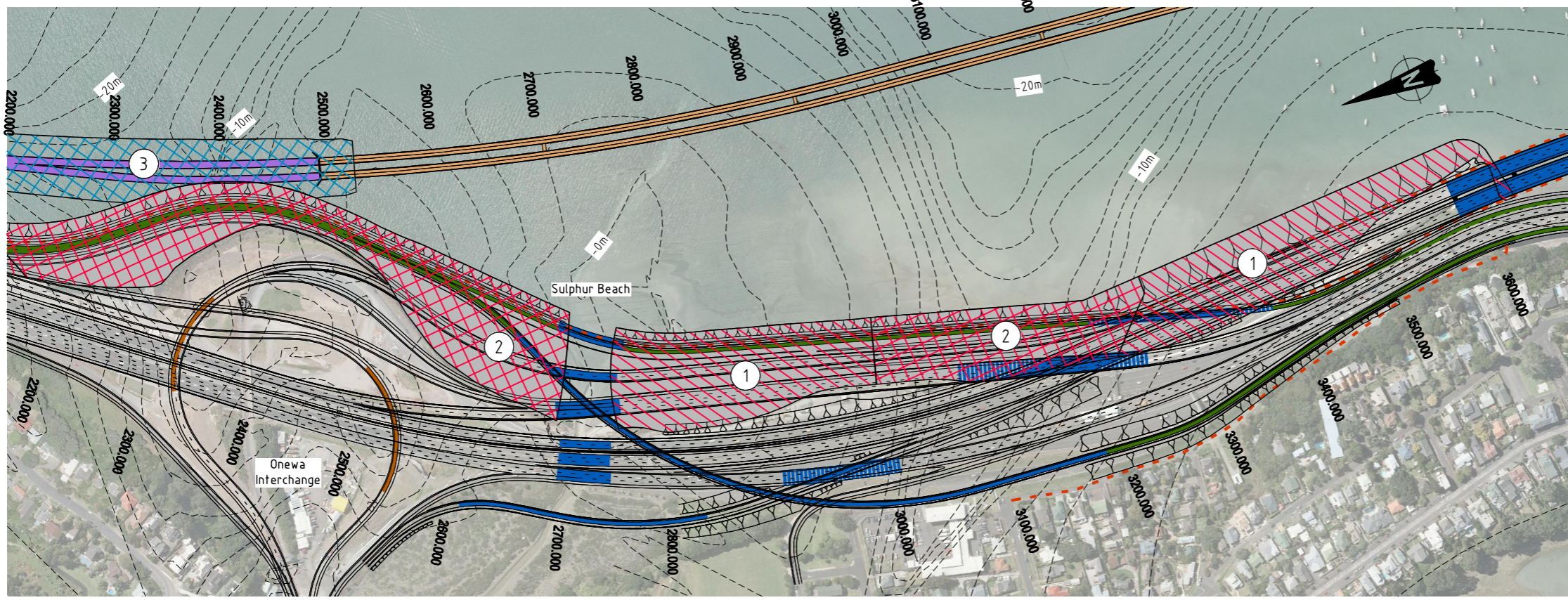
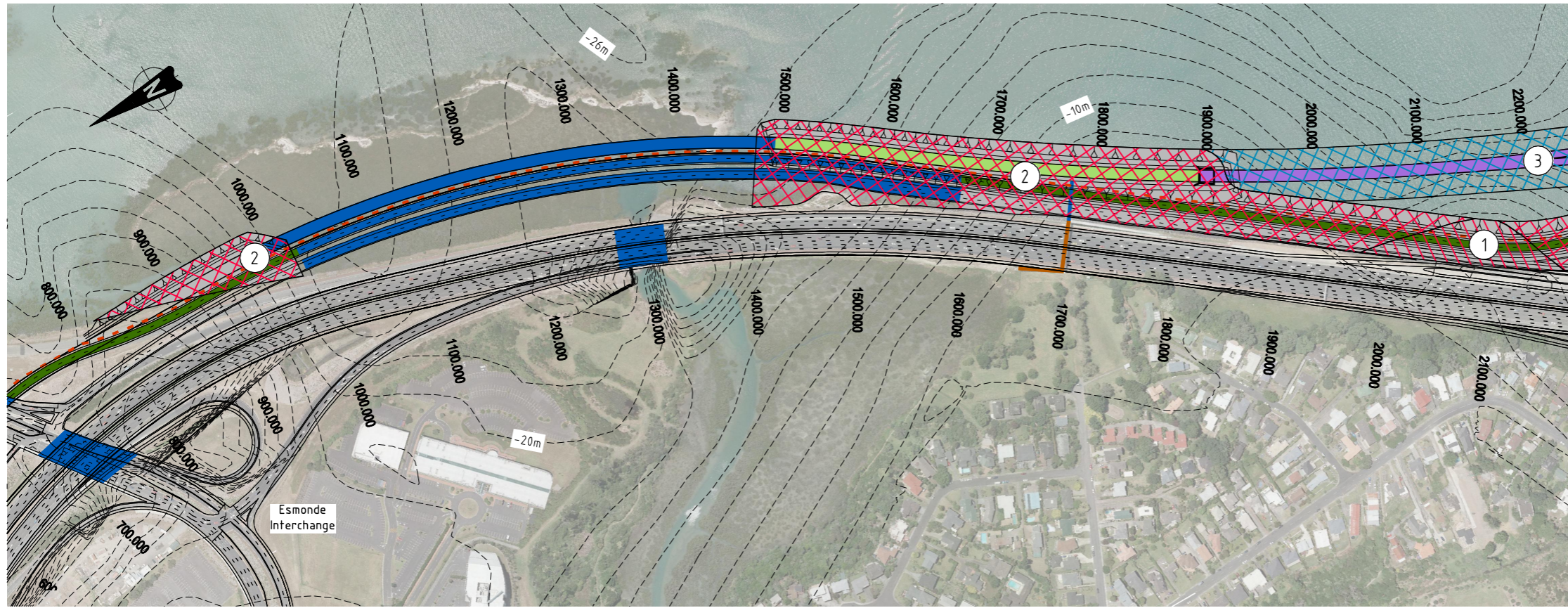
DESIGNED	GH	CHECKED	GH
DRAWN	JH	CHECKED	GH
APPROVED		DATE	

SCALES:
NTS
NTS



ADDITIONAL WAITEMATA HARBOUR CROSSING
BRIDGE OPTION
TRAFFIC LANE DIAGRAM

A1	STATUS: FORM ASSESSMENT STUDY	DRAWING NO: 60157303-TR-073	REV: 0
----	-------------------------------	-----------------------------	--------



Notes:

- It is intended that temporary reclamation areas be reinstated to seabed/mudflats following completion of construction.

Key:

- Inferred ECBF Rockhead Level Contours (mean sea level)
- Permanent Reclamation - Shallow Mud
- Permanent Reclamation - Deep Mud
- Temporary Reclamation - Deep Mud
- Bored Tunnel
- Cut & Cover Tunnel
- Trench
- New Structure
- Box Tunnel
- Bus Lane/Way
- Existing Structure
- Surface Road
- Reclamation
- Pedestrians/Cyclists

This drawing has been prepared by Beca Infrastructure Ltd and AECOM New Zealand Ltd for the benefit of the NZ Transport Agency (NZTA) solely for the use by the NZTA for the purpose for which it has been prepared. This purpose being the Form Assessment Study input to the Additional Waitemata Harbour Crossing Business Case. No liability is accepted by these companies or any employee or sub-consultant of these companies with respect to its use by any other person. All rights reserved. No section or element of this document may be removed from this document, reproduced, electronically stored or transmitted in any form without the written permission of Beca Infrastructure Ltd and AECOM New Zealand Limited

This drawing is confidential and shall only be used for the purposes of this project.

REVISIONS				
No.	BY	DATE	DESCRIPTION	APPD
0	IMH	15.10.10	FORM ASSESSMENT REPORT	

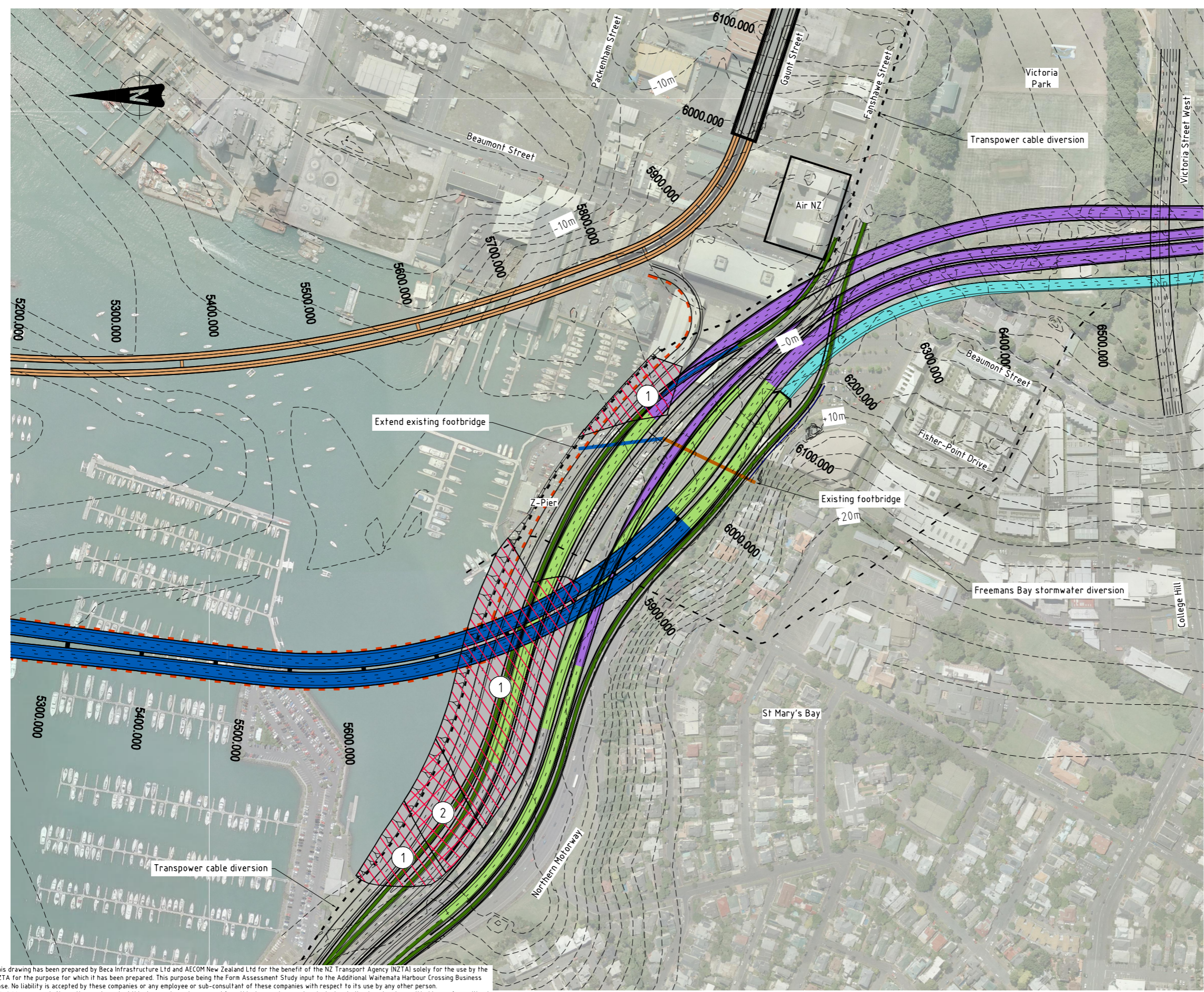
DESIGNED	JMT	CHECKED	KRA
DRAWN	JRH	CHECKED	JMT
APPROVED		DATE	

SCALES:
1:2500 A1
1:5000 A3



ADDITIONAL WAITEMATA HARBOUR CROSSING
BRIDGE OPTION
NORTHERN SECTOR - RECLAMATION

A1	STATUS: FORM ASSESSMENT STUDY	DRAWING NO: 60157303-TR-074	REV: 0
----	-------------------------------	-----------------------------	--------



Key:

- Inferred ECBF Rockhead Level Contours (mean sea level)
- Permanent Reclamation - Shallow Mud
- Permanent Reclamation - Deep Mud
- Bored Tunnel
- Cut & Cover Tunnel
- Trench
- New Structure
- Bus Lane/Way
- Existing Structure
- Surface Road
- Reclamation
- Pedestrians/Cyclists
- VPT

This drawing has been prepared by Beca Infrastructure Ltd and AECOM New Zealand Ltd for the benefit of the NZ Transport Agency (NZTA) solely for the use by the NZTA for the purpose for which it has been prepared. This purpose being the Form Assessment Study input to the Additional Waitemata Harbour Crossing Business Case. No liability is accepted by these companies or any employee or sub-consultant of these companies with respect to its use by any other person. All rights reserved. No section or element of this document may be removed from this document, reproduced, electronically stored or transmitted in any form without the written permission of Beca Infrastructure Ltd and AECOM New Zealand Limited

This drawing is confidential and shall only be used for the purposes of this project.

No.	BY	DATE	DESCRIPTION	APPD
0	IMH	15.10.10	FORM ASSESSMENT REPORT	

DESIGNED	JMT	CHECKED	KRA
DRAWN	JRH	CHECKED	JMT
APPROVED		DATE	

SCALES:
 1:2500 A1
 1:5000 A3

Beca
AECOM
AECOM New Zealand Limited

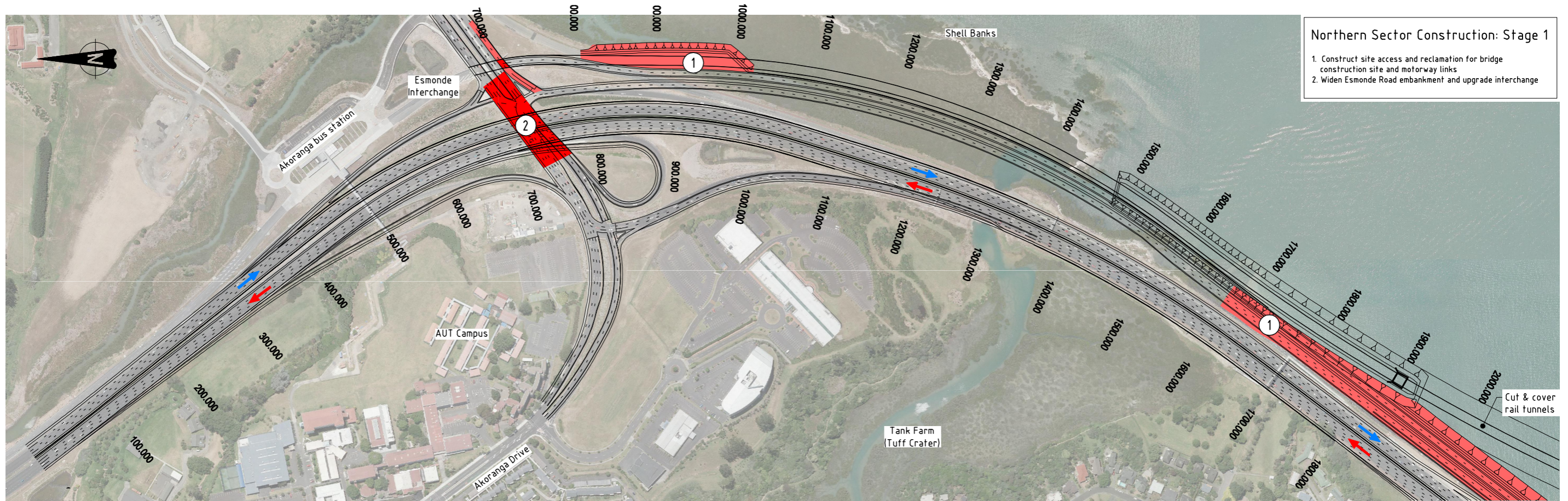
AWHC

NZ TRANSPORT AGENCY
WAKA KOTAHI

ADDITIONAL WAITEMATA HARBOUR CROSSING
 BRIDGE OPTION
 SOUTHERN SECTOR - RECLAMATION

A1	STATUS	FORM ASSESSMENT STUDY	DRAWING NO.	60157303-TR-075	REV.	0
----	--------	-----------------------	-------------	-----------------	------	---

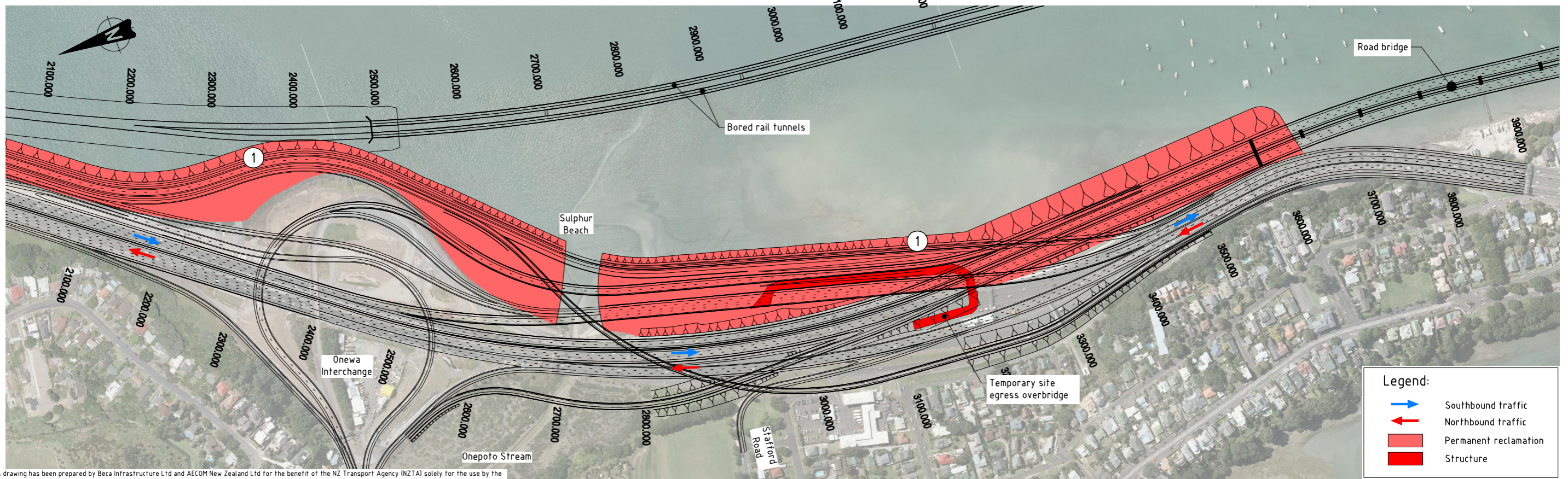
Last saved Tue, 19 Oct 2016 10:03 am



Northern Sector Construction: Stage 1

1. Construct site access and reclamation for bridge construction site and motorway links
2. Widen Esmonde Road embankment and upgrade interchange

STAGE 1 - Distance 0 to 2000
1:2500



Legend:

- Southbound traffic
- ← Northbound traffic
- Permanent reclamation
- Structure

STAGE 1 - Distance 2000 to 3900
1:2500

CAD Ref: P:\ATTIP\BECAM01\Waitemata Harbour\60157303\1\5_CADD\5.6_Final Drawings\60157303-TR-076.dwg

This drawing has been prepared by Beca Infrastructure Ltd and AECOM New Zealand Ltd for the benefit of the NZ Transport Agency (NZTA) solely for the use by the NZTA for the purpose for which it has been prepared. This purpose being the Form Assessment Study input to the Additional Waitemata Harbour Crossing Business Case. No liability is accepted by these companies or any employee or sub-consultant of these companies with respect to its use by any other person. All rights reserved. No section or element of this document may be removed from this document, reproduced, electronically stored or transmitted in any form without the written permission of Beca Infrastructure Ltd and AECOM New Zealand Limited

REVISIONS				
No.	BY	DATE	DESCRIPTION	APPD
0	IMH	15.10.10	FORM ASSESSMENT REPORT	

DESIGNED	BS	CHECKED	JQC
DRAWN	NW	CHECKED	BS
APPROVED		DATE	

SCALES:
1:2500 A1
1:5000 A3

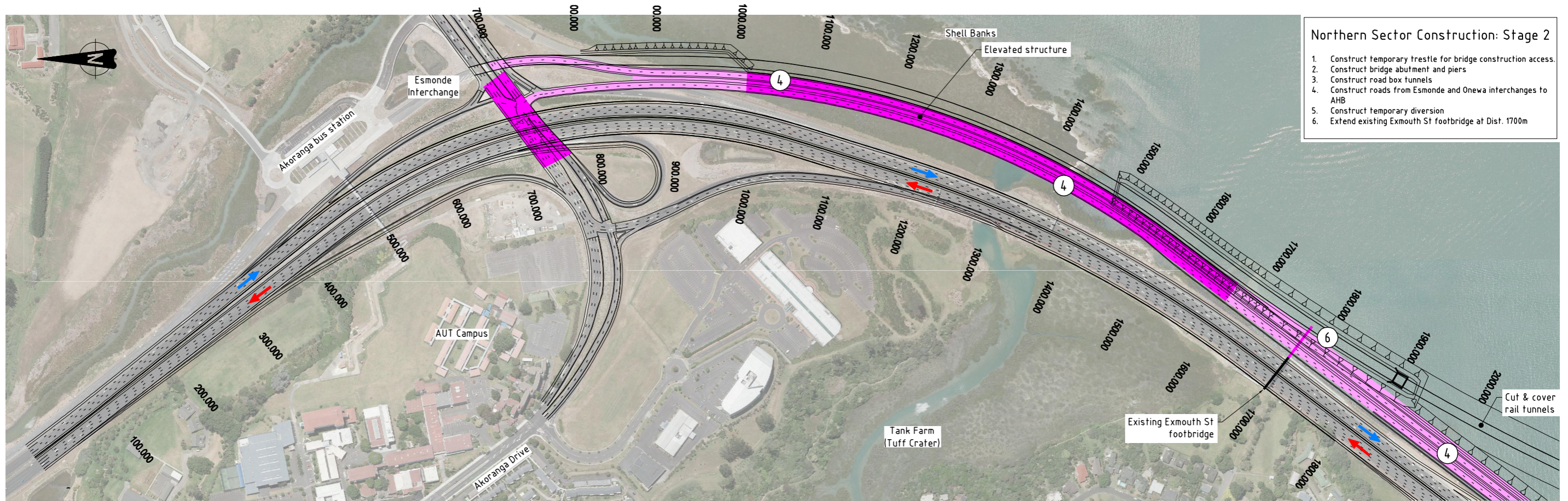
Beca
AECOM
AECOM New Zealand Limited

AWHC

CLIENT:
NZ TRANSPORT AGENCY
WAKA KOTAHĪ

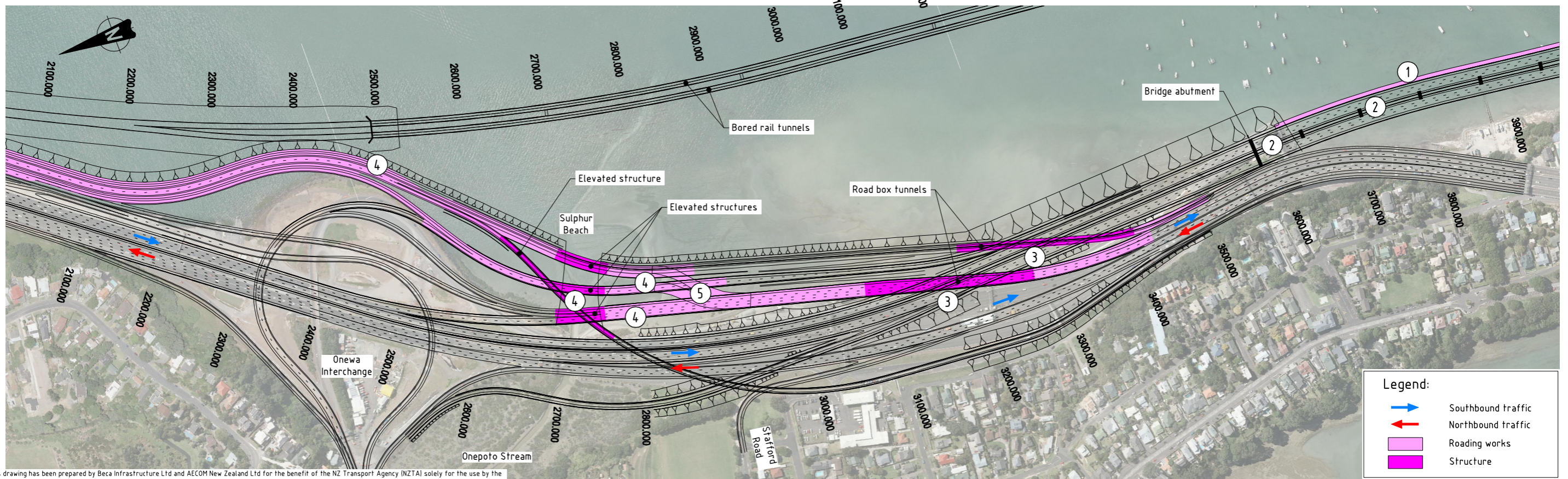
ADDITIONAL WAITEMATA HARBOUR CROSSING			
BRIDGE OPTION			
NORTHERN SECTOR CONSTRUCTION SEQUENCING			
STAGE 1			
A1	STATUS: FORM ASSESSMENT STUDY	DRAWING NO: 60157303-TR-076	REV: 0

Last saved Tue, 19 Oct 2010 10:17 am



- Northern Sector Construction: Stage 2**
1. Construct temporary trestle for bridge construction access.
 2. Construct bridge abutment and piers
 3. Construct road box tunnels
 4. Construct roads from Esmonde and Onewa interchanges to AHB
 5. Construct temporary diversion
 6. Extend existing Exmouth St footbridge at Dist. 1700m

STAGE 2 - Distance 0 to 2000
1:2500



- Legend:**
- Southbound traffic
 - ← Northbound traffic
 - Roading works
 - Structure

STAGE 2 - Distance 2000 to 3900
1:2500

CAD Ref: P:\ATTIP\BECAM01\Waitemata Harbour\60157303\5.6 Final drawings\60157303-TR-077.dwg

This drawing has been prepared by Beca Infrastructure Ltd and AECOM New Zealand Ltd for the benefit of the NZ Transport Agency (NZTA) solely for the use by the NZTA for the purpose for which it has been prepared. This purpose being the Form Assessment Study input to the Additional Waitemata Harbour Crossing Business Case. No liability is accepted by these companies or any employee or sub-consultant of these companies with respect to its use by any other person. All rights reserved. No section or element of this document, reproduced, electronically stored or transmitted in any form without the written permission of Beca Infrastructure Ltd and AECOM New Zealand Limited

REVISIONS				
No.	BY	DATE	DESCRIPTION	APPD
0	IMH	15.10.10	FORM ASSESSMENT REPORT	

DESIGNED	BS	CHECKED	JJC
DRAWN	NW	CHECKED	BS
APPROVED		DATE	

SCALES:
1:2500 A1
1:5000 A3



ADDITIONAL WAITEMATA HARBOUR CROSSING			
BRIDGE OPTION			
NORTHERN SECTOR CONSTRUCTION SEQUENCING			
STAGE 2			
A1	STATUS	FORM ASSESSMENT STUDY	REV: 0
	DRAWING NO.	60157303-TR-077	