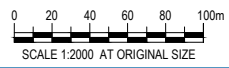


- NOTES**
- FOR NOTES AND GENERAL LEGEND, REFER TO DRAWING CW-001.
 - THIS DRAWING IS TO BE READ IN CONJUNCTION WITH THE CONSTRUCTION WATER MANAGEMENT (WAR) DESIGN TECHNICAL REPORT.
 - PRIMARY SEDIMENT CONTROL MEASURES WILL BE SRP AND DEB. HOWEVER CIS AND SSF WILL BE UTILISED AS REQUIRED THROUGHOUT THE PROJECT ALIGNMENT. DESIGN OF SSF AND CIS ARE CONTAINED IN TYPICAL DETAILS CW-072 TO CW-076.
 - EARTHWORKS ACTIVITIES AS PER THE WAR WILL APPLY THROUGHOUT THE PROJECT.
 - CWD ARE SHOWN ON THE PLANS, HOWEVER THE NEED WILL BE DETERMINED ON SITE AND THROUGH THE CESC DEVELOPMENT.
 - CATCHMENT AREAS THAT CANNOT BE DIVERTED TO THE SRP WILL BE MANAGED THROUGH CIS, OR FURTHER SRP / DEB WILL BE ESTABLISHED.

ALL INFORMATION SHOWN IS SUBJECT TO FINAL DESIGN AND THE DETAILS MAY CHANGE. AREAS AND MEASUREMENTS ARE SUBJECT TO SURVEY



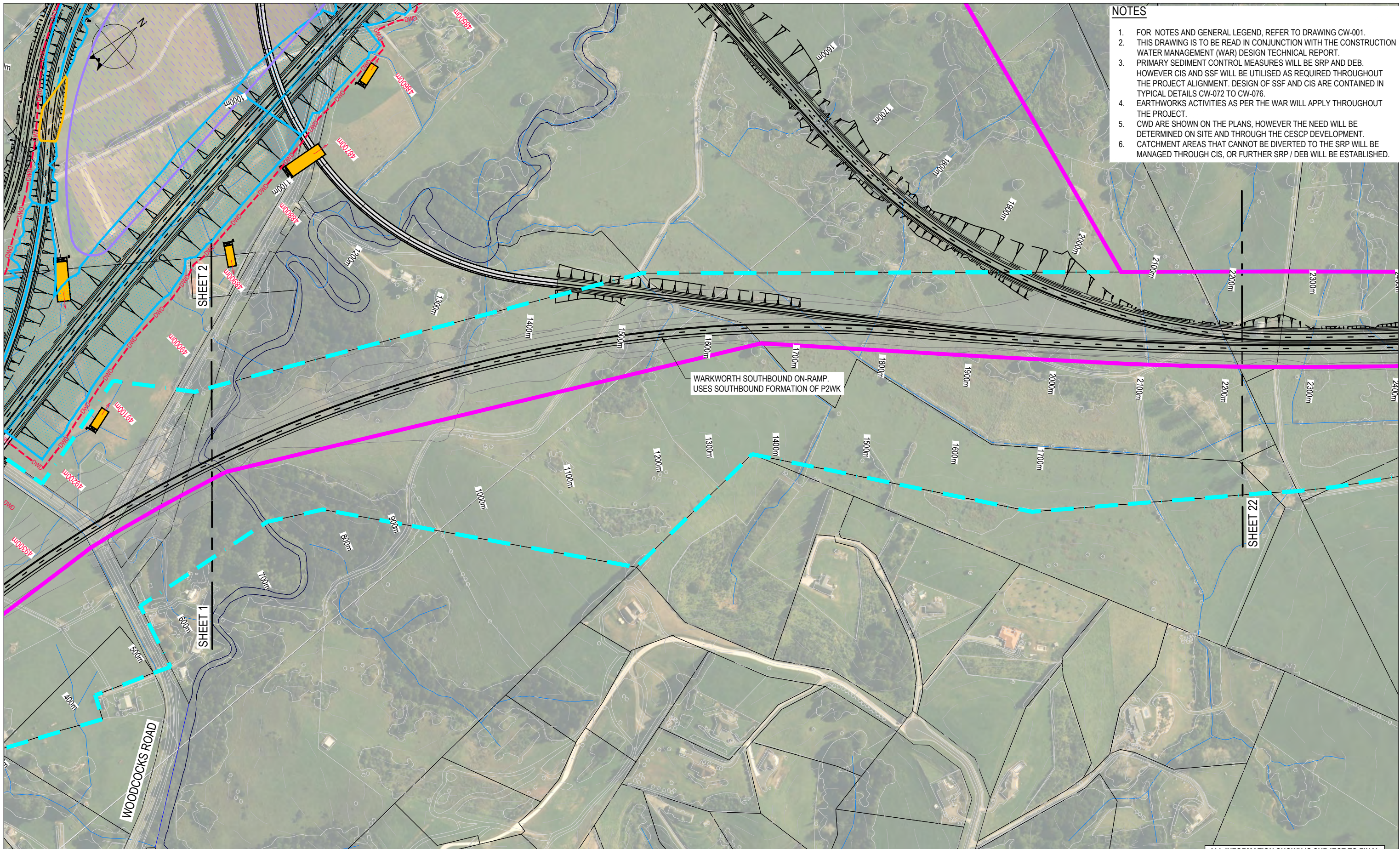
0	ISSUED FOR RMA APPROVALS	WAS	JB*	BN*	07/19	
No	Revision	Note: * indicates signatures on original issue of drawing or last revision of drawing	Drawn	Checked	Approved	Date



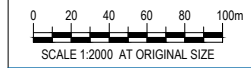
DO NOT SCALE
 Conditions of Use:
 This document may only be used by The JV's client (and any other person who The JV has agreed can use this document) for the purpose for which it was prepared and must not be used by any other person or for any other purpose.

FOR RMA APPROVALS			
Drawn WAS	Drafting TC* Check	Designed RP	Design TC* Check
Approved BN*	Date JULY 2019		
Scale AS SHOWN	This Drawing must not be used for Construction unless signed as Approved		Original Size A1

Project	WARKWORTH TO WELLSFORD PROJECT			
Title	CONSTRUCTION WATER MANAGEMENT CONCEPT PLAN			
Contract:	PA4156	Drawing No:	CW-030	Sheet: 20 OF 23
Rev:	0			



- NOTES**
1. FOR NOTES AND GENERAL LEGEND, REFER TO DRAWING CW-001.
 2. THIS DRAWING IS TO BE READ IN CONJUNCTION WITH THE CONSTRUCTION WATER MANAGEMENT (WAR) DESIGN TECHNICAL REPORT.
 3. PRIMARY SEDIMENT CONTROL MEASURES WILL BE SRP AND DEB. HOWEVER CIS AND SSF WILL BE UTILISED AS REQUIRED THROUGHOUT THE PROJECT ALIGNMENT. DESIGN OF SSF AND CIS ARE CONTAINED IN TYPICAL DETAILS CW-072 TO CW-076.
 4. EARTHWORKS ACTIVITIES AS PER THE WAR WILL APPLY THROUGHOUT THE PROJECT.
 5. CWD ARE SHOWN ON THE PLANS, HOWEVER THE NEED WILL BE DETERMINED ON SITE AND THROUGH THE CESCOP DEVELOPMENT.
 6. CATCHMENT AREAS THAT CANNOT BE DIVERTED TO THE SRP WILL BE MANAGED THROUGH CIS, OR FURTHER SRP / DEB WILL BE ESTABLISHED.



ALL INFORMATION SHOWN IS SUBJECT TO FINAL DESIGN AND THE DETAILS MAY CHANGE. AREAS AND MEASUREMENTS ARE SUBJECT TO SURVEY

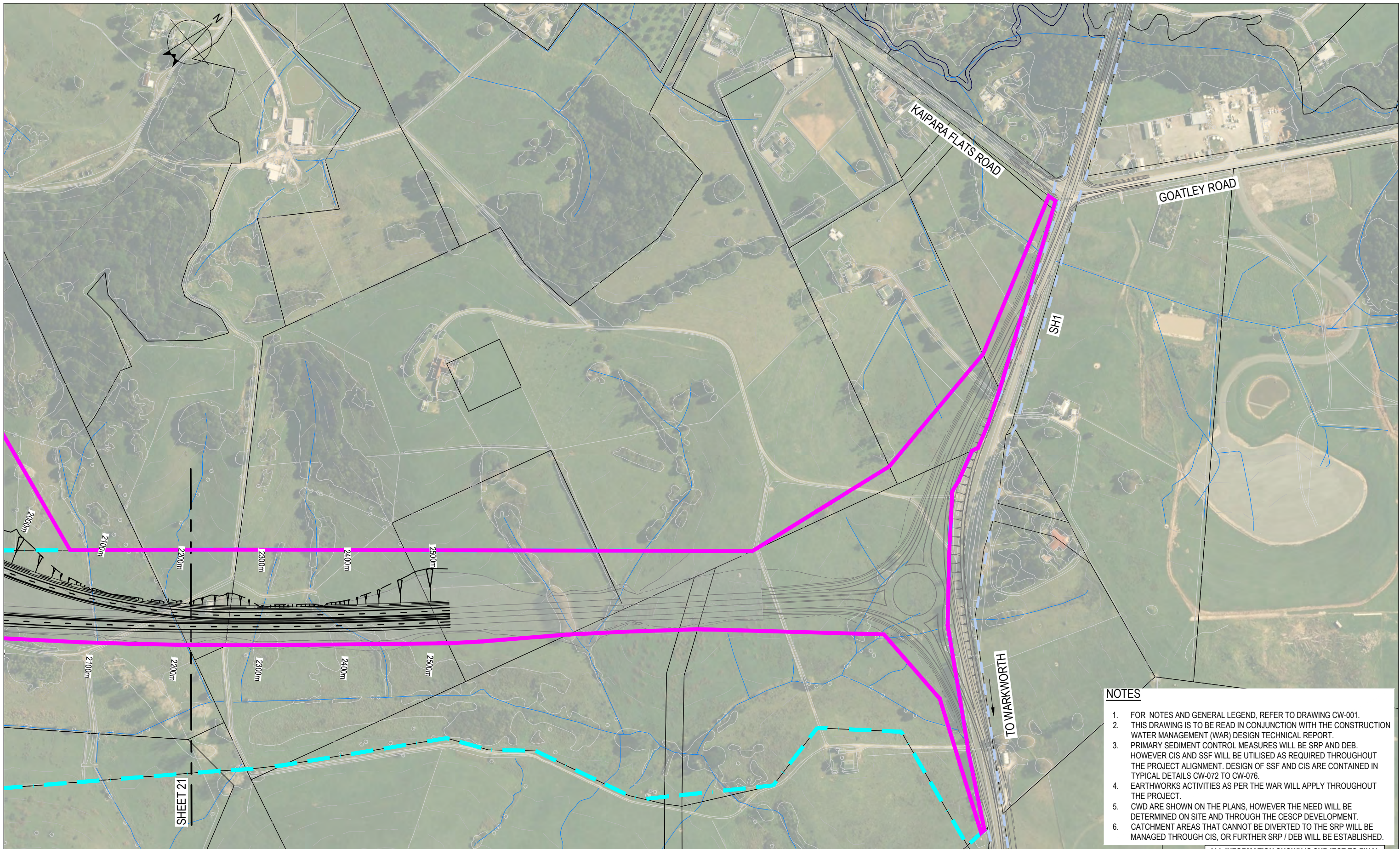
0	ISSUED FOR RMA APPROVALS	WAS	JB*	BN*	07/19	
No	Revision	Note: * indicates signatures on original issue of drawing or last revision of drawing	Drawn	Checked	Approved	Date



DO NOT SCALE
 Conditions of Use:
 This document may only be used by The JV's client (and any other person who The JV has agreed can use this document) for the purpose for which it was prepared and must not be used by any other person or for any other purpose.

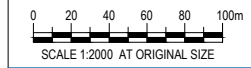
FOR RMA APPROVALS			
Drawn WAS	Drafting TC* Check	Designed RP	Design TC* Check
Approved BN*	Date JULY 2019		Original Size
Scale AS SHOWN	This Drawing must not be used for Construction unless signed as Approved		A1

Project	WARKWORTH TO WELLSFORD PROJECT			
Title	CONSTRUCTION WATER MANAGEMENT CONCEPT PLAN			
Contract:	PA4156	Drawing No:	CW-031	Sheet: 21 OF 23 Rev: 0



- NOTES**
- FOR NOTES AND GENERAL LEGEND, REFER TO DRAWING CW-001.
 - THIS DRAWING IS TO BE READ IN CONJUNCTION WITH THE CONSTRUCTION WATER MANAGEMENT (WAR) DESIGN TECHNICAL REPORT.
 - PRIMARY SEDIMENT CONTROL MEASURES WILL BE SRP AND DEB. HOWEVER CIS AND SSF WILL BE UTILISED AS REQUIRED THROUGHOUT THE PROJECT ALIGNMENT. DESIGN OF SSF AND CIS ARE CONTAINED IN TYPICAL DETAILS CW-072 TO CW-076.
 - EARTHWORKS ACTIVITIES AS PER THE WAR WILL APPLY THROUGHOUT THE PROJECT.
 - CWD ARE SHOWN ON THE PLANS, HOWEVER THE NEED WILL BE DETERMINED ON SITE AND THROUGH THE CESCOP DEVELOPMENT.
 - CATCHMENT AREAS THAT CANNOT BE DIVERTED TO THE SRP WILL BE MANAGED THROUGH CIS, OR FURTHER SRP / DEB WILL BE ESTABLISHED.

ALL INFORMATION SHOWN IS SUBJECT TO FINAL DESIGN AND THE DETAILS MAY CHANGE. AREAS AND MEASUREMENTS ARE SUBJECT TO SURVEY



No	Revision	Note: * indicates signatures on original issue of drawing or last revision of drawing	Drawn	Checked	Approved	Date
0		ISSUED FOR RMA APPROVALS	WAS	JB*	BN*	07/19



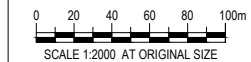
DO NOT SCALE
 Conditions of Use:
 This document may only be used by The JV's client (and any other person who The JV has agreed can use this document) for the purpose for which it was prepared and must not be used by any other person or for any other purpose.

FOR RMA APPROVALS			
Drawn WAS	Drafting TC* Check	Designed RP	Design TC* Check
Approved BN*		Date JULY 2019	
Scale AS SHOWN		This Drawing must not be used for Construction unless signed as Approved	Original Size A1

Project	WARKWORTH TO WELLSFORD PROJECT		
Title	CONSTRUCTION WATER MANAGEMENT CONCEPT PLAN		
Contract:	PA4156	Drawing No:	CW-032
Sheet:	22 OF 23	Rev:	0



- NOTES**
1. FOR NOTES AND GENERAL LEGEND, REFER TO DRAWING CW-001.
 2. THIS DRAWING IS TO BE READ IN CONJUNCTION WITH THE CONSTRUCTION WATER MANAGEMENT (WAR) DESIGN TECHNICAL REPORT.
 3. PRIMARY SEDIMENT CONTROL MEASURES WILL BE SRP AND DEB. HOWEVER CIS AND SSF WILL BE UTILISED AS REQUIRED THROUGHOUT THE PROJECT ALIGNMENT. DESIGN OF SSF AND CIS ARE CONTAINED IN TYPICAL DETAILS CW-072 TO CW-076.
 4. EARTHWORKS ACTIVITIES AS PER THE WAR WILL APPLY THROUGHOUT THE PROJECT.
 5. CWD ARE SHOWN ON THE PLANS, HOWEVER THE NEED WILL BE DETERMINED ON SITE AND THROUGH THE CESCOP DEVELOPMENT.
 6. CATCHMENT AREAS THAT CANNOT BE DIVERTED TO THE SRP WILL BE MANAGED THROUGH CIS, OR FURTHER SRP / DEB WILL BE ESTABLISHED.



ALL INFORMATION SHOWN IS SUBJECT TO FINAL DESIGN AND THE DETAILS MAY CHANGE. AREAS AND MEASUREMENTS ARE SUBJECT TO SURVEY

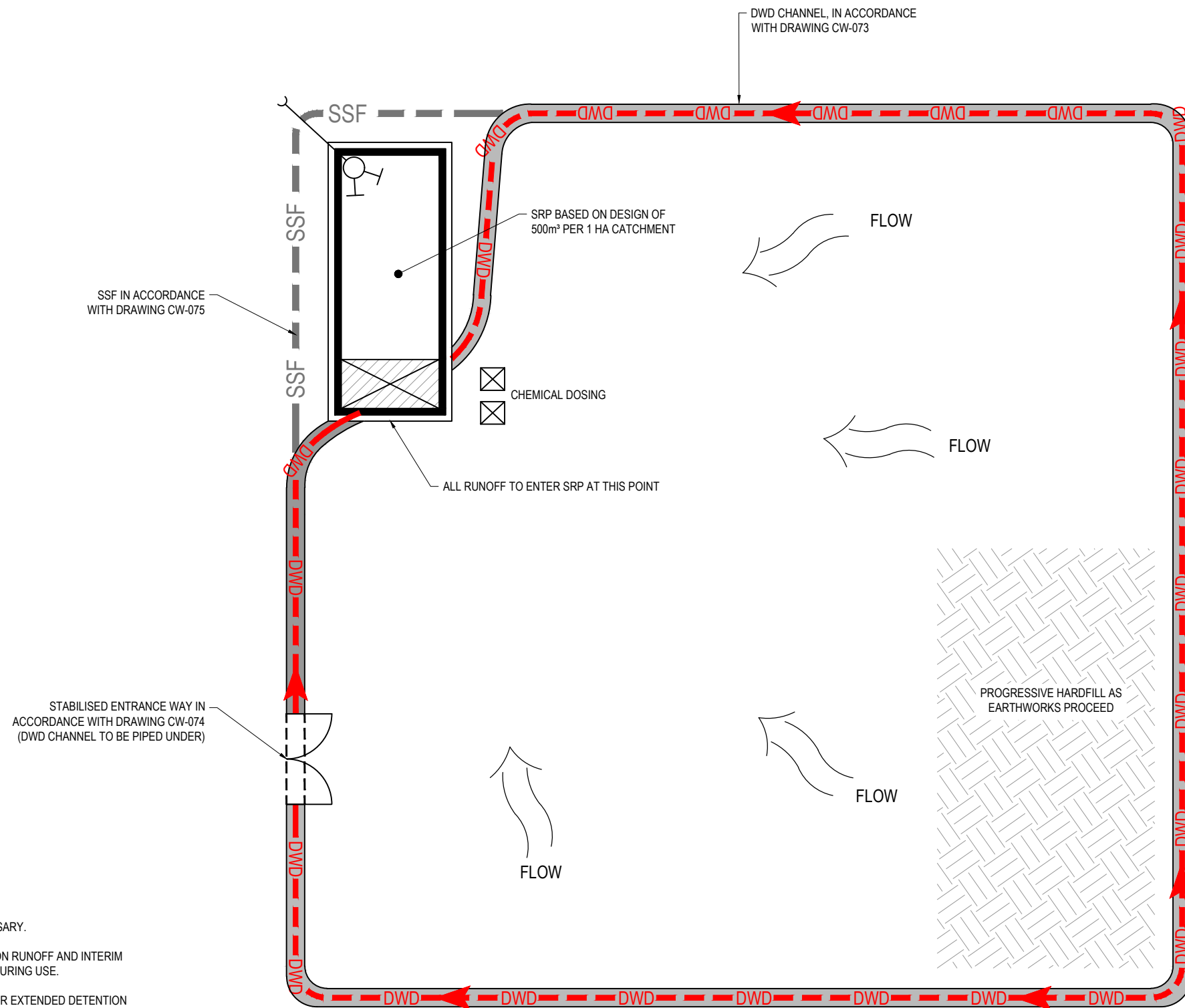
0	ISSUED FOR RMA APPROVALS	WAS	JB*	BN*	07/19	
No	Revision	Note: * indicates signatures on original issue of drawing or last revision of drawing	Drawn	Checked	Approved	Date



DO NOT SCALE
 Conditions of Use:
 This document may only be used by The JV's client (and any other person who The JV has agreed can use this document) for the purpose for which it was prepared and must not be used by any other person or for any other purpose.

FOR RMA APPROVALS			
Drawn WAS	Drafting TC* Check	Designed RP	Design TC* Check
Approved BN*	Date JULY 2019		
Scale AS SHOWN	This Drawing must not be used for Construction unless signed as Approved		Original Size A1

Project	WARKWORTH TO WELLSFORD PROJECT			
Title	CONSTRUCTION WATER MANAGEMENT CONCEPT PLAN			
Contract:	PA4156	Drawing No:	CW-033	Sheet: 23 OF 23
Rev:	0			



NOTES

1. CLEAN WATER DIVERSION ESTABLISHED IF NECESSARY.
2. SRP DESIGNED FOR TREATMENT OF CONSTRUCTION RUNOFF AND INTERIM STORMWATER RUNOFF FROM IMPERVIOUS AREA DURING USE.
3. DECANT DEVICE IN SRP DESIGNED AS PER TP90 FOR EXTENDED DETENTION OF IMPERVIOUS AREAS.
4. ON COMPLETION OF ESTABLISHMENT EARTHWORKS YARD TO BE FULLY COVERED WITH 50-100mm OF CLEAN HARDFILL.

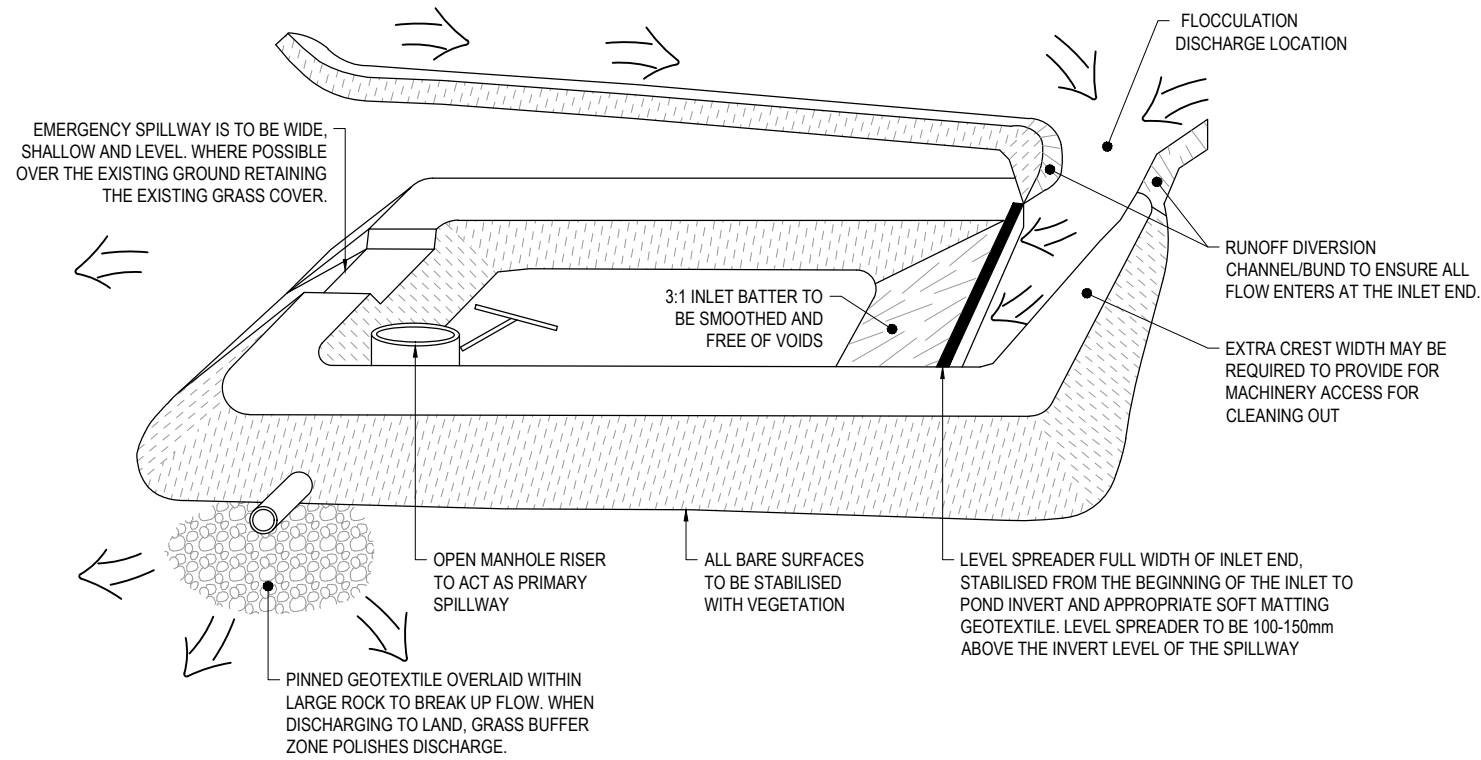
No	Revision	Note: * indicates signatures on original issue of drawing or last revision of drawing	Drawn	Checked	Approved	Date
0		ISSUED FOR RMA APPROVALS	WAS	JB*	BN*	07/19



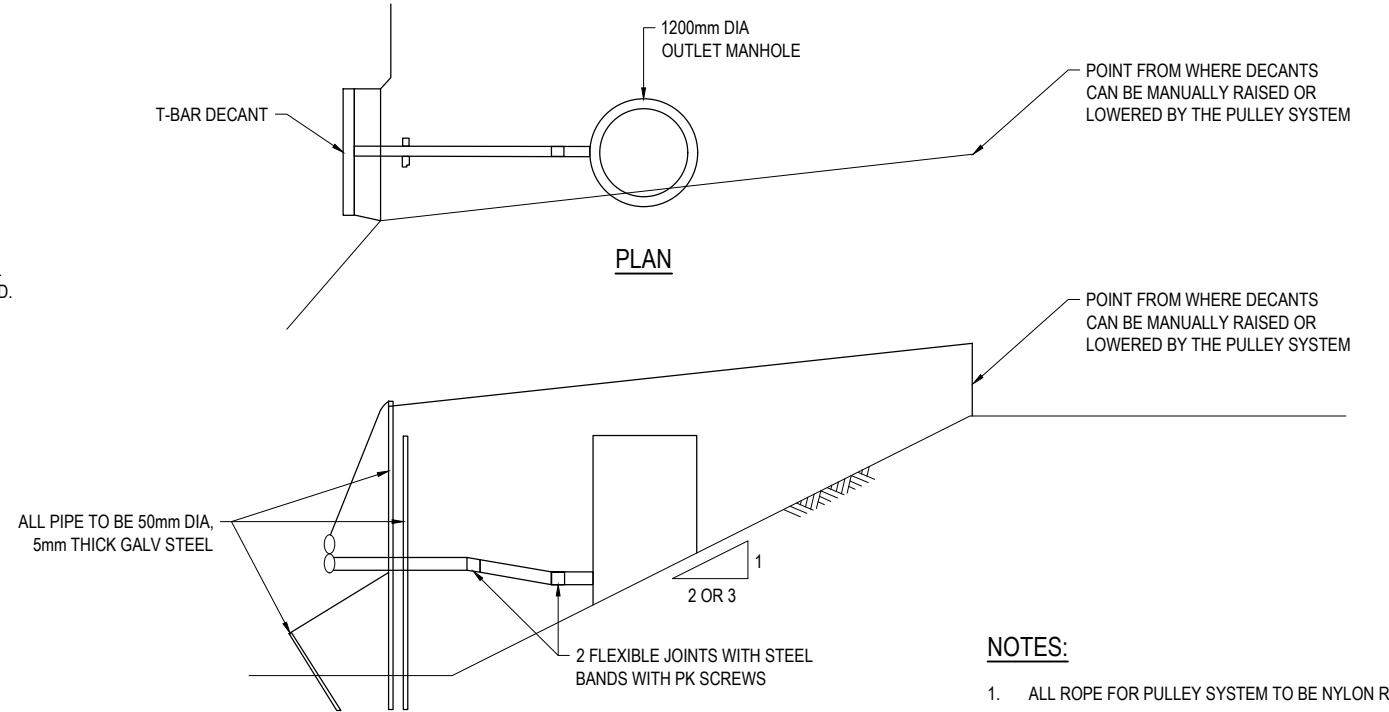
DO NOT SCALE
 Conditions of Use:
 This document may only be used by The JV's client (and any other person who The JV has agreed can use this document) for the purpose for which it was prepared and must not be used by any other person or for any other purpose.

FOR RMA APPROVALS			
Drawn WAS	Drafting TC*	Designed RP	Design TC*
Approved BN*		Date JULY 2019	
Scale NTS		This Drawing must not be used for Construction unless signed as Approved	
		Original Size	A1

Project	WARKWORTH TO WELLSFORD PROJECT		
Title	CONSTRUCTION WATER MANAGEMENT CONCEPTUAL CONSTRUCTION YARD LAYOUT		
Contract:	PA4156	Drawing No:	CW-071
Sheet:	1 OF 1	Rev:	0



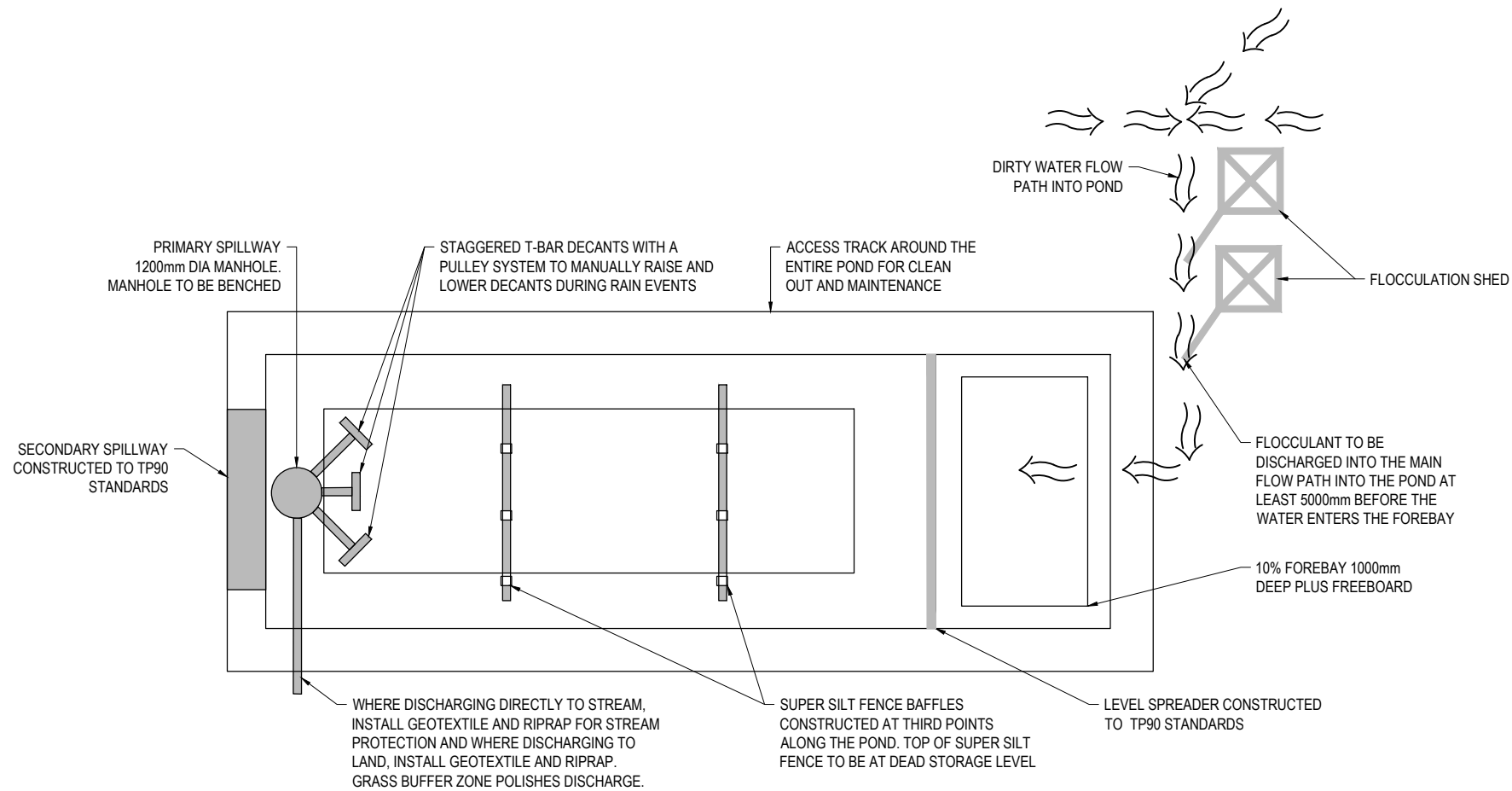
SEDIMENT RETENTION POND
NTS



ELEVATION DECANT PULLEY SYSTEM
NTS

NOTES:

1. ALL ROPE FOR PULLEY SYSTEM TO BE NYLON ROPE.
2. ROPE IS TO BE SECURED TO THE BANK WITH A STAKE SO THAT IT CAN BE EASILY ACCESSED DURING A RAIN EVENT AND INDIVIDUAL DECANTS CAN BE MANUALLY RAISED OR LOWERED.



SEDIMENT RETENTION POND TYPICAL DETAILS
NTS

No	Revision	Note: * indicates signatures on original issue of drawing or last revision of drawing	Drawn	Checked	Approved	Date
0	ISSUED FOR RMA APPROVALS		WAS	JB*	BN*	07/19



DO NOT SCALE

Conditions of Use:
This document may only be used by The JV's client (and any other person who The JV has agreed can use this document) for the purpose for which it was prepared and must not be used by any other person or for any other purpose.

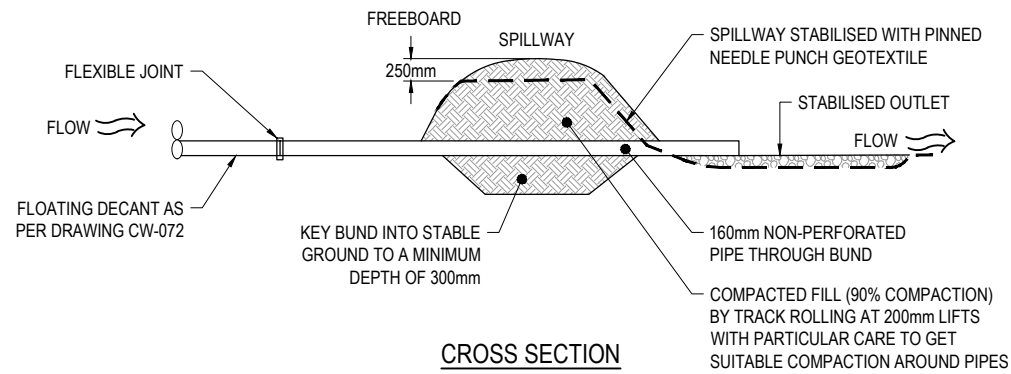
FOR RMA APPROVALS

Drawn WAS	Drafting Check TC*	Designed RP	Design Check TC*
Approved BN*	Date JULY 2019		
Scale NTS	This Drawing must not be used for Construction unless signed as Approved		Original Size A1

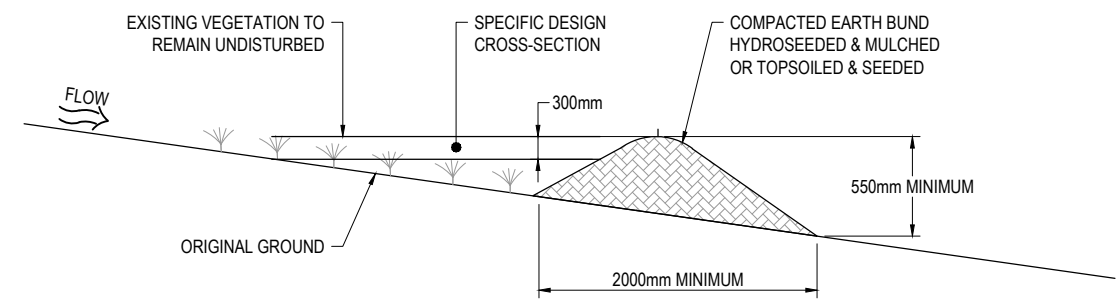
Project **WARKWORTH TO WELLSFORD PROJECT**

Title **CONSTRUCTION WATER MANAGEMENT TYPICAL CONCEPT DESIGN DETAILS**

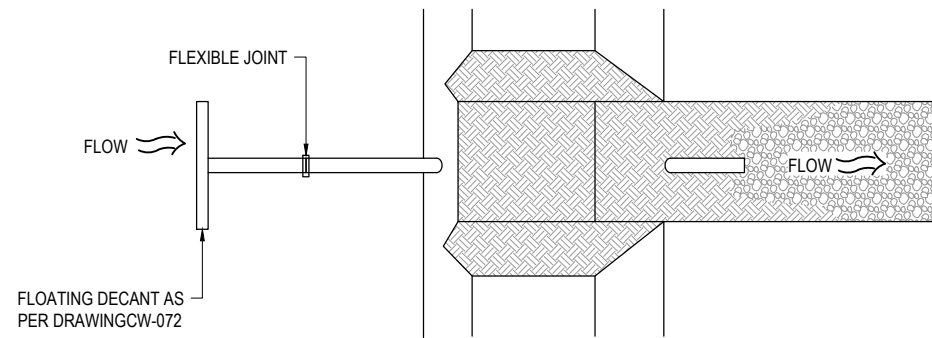
Contract: **PA4156** Drawing No: **CW-072** Sheet: **1 OF 5** Rev: **0**



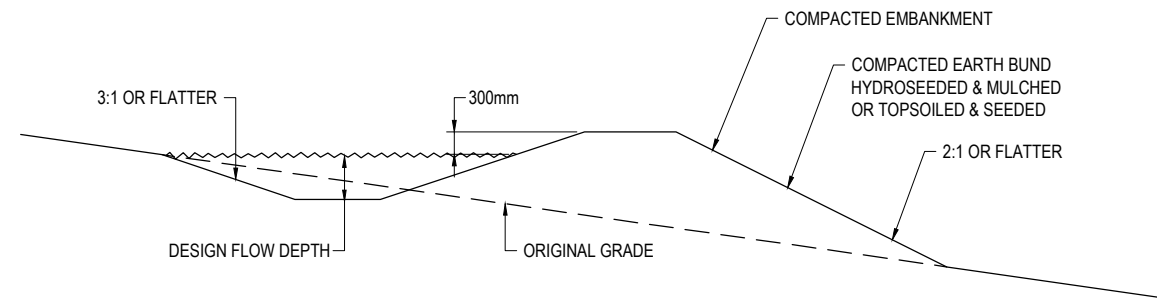
CROSS SECTION



CROSS SECTION - CLEANWATER RUNOFF DIVERSION BUND
NTS



PLAN
DECANTING EARTH BUND
NTS



CROSS SECTION - DIRTYWATER DIVERSION CHANNEL
NTS

NOTE

- CHEMICAL TREATMENT (FLOCCULATION) TO BE PROVIDED FOR ALL DECANTING EARTH BUNDS

No	Revision	Note: * indicates signatures on original issue of drawing or last revision of drawing	Drawn	Checked	Approved	Date
0	ISSUED FOR RMA APPROVALS		WAS	JB*	BN*	07/19



DO NOT SCALE

Conditions of Use.
This document may only be used by The JV's client (and any other person who The JV has agreed can use this document) for the purpose for which it was prepared and must not be used by any other person or for any other purpose.

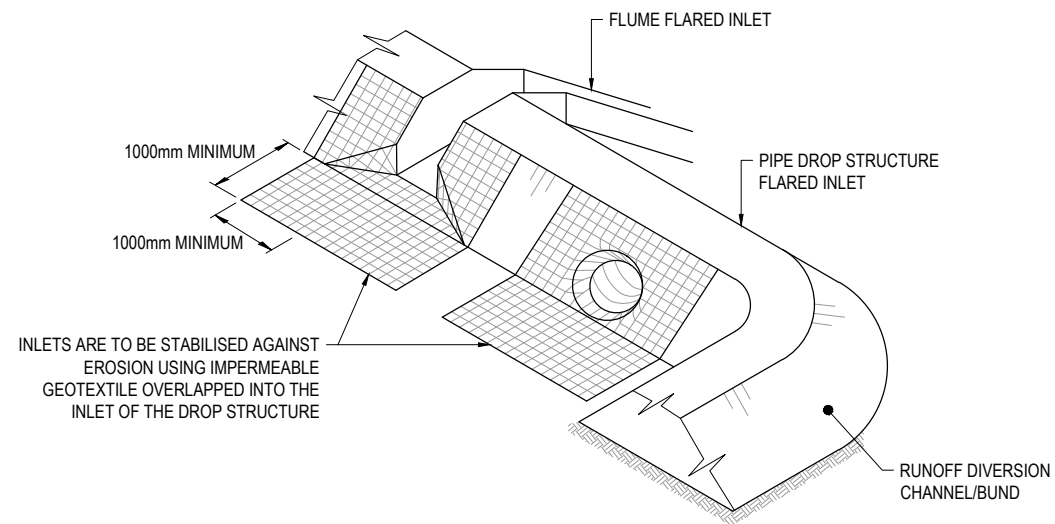
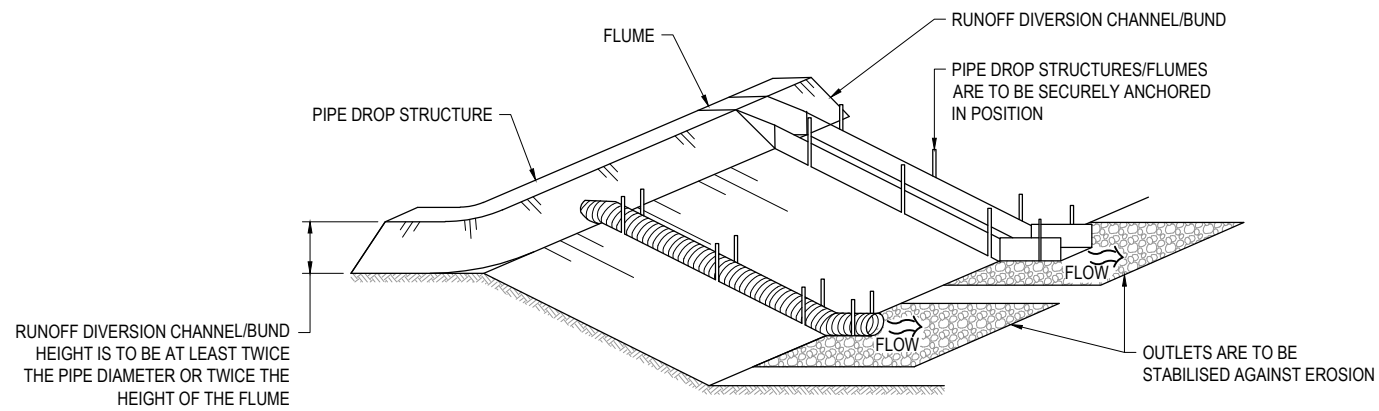
FOR RMA APPROVALS

Drawn WAS	Drafting Check TC*	Designed RP	Design Check TC*
Approved BN*	Date JULY 2019		
Scale NTS	This Drawing must not be used for Construction unless signed as Approved		Original Size A1

Project **WARKWORTH TO WELLSFORD PROJECT**

Title **CONSTRUCTION WATER MANAGEMENT
TYPICAL CONCEPT DESIGN DETAILS**

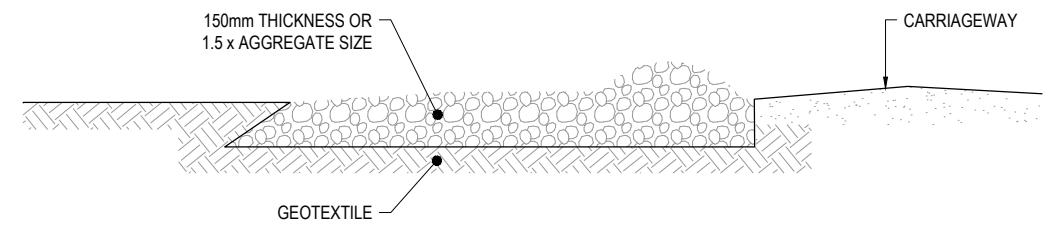
Contract: **PA4156** Drawing No: **CW-073** Sheet: **2 OF 5** Rev: **0**



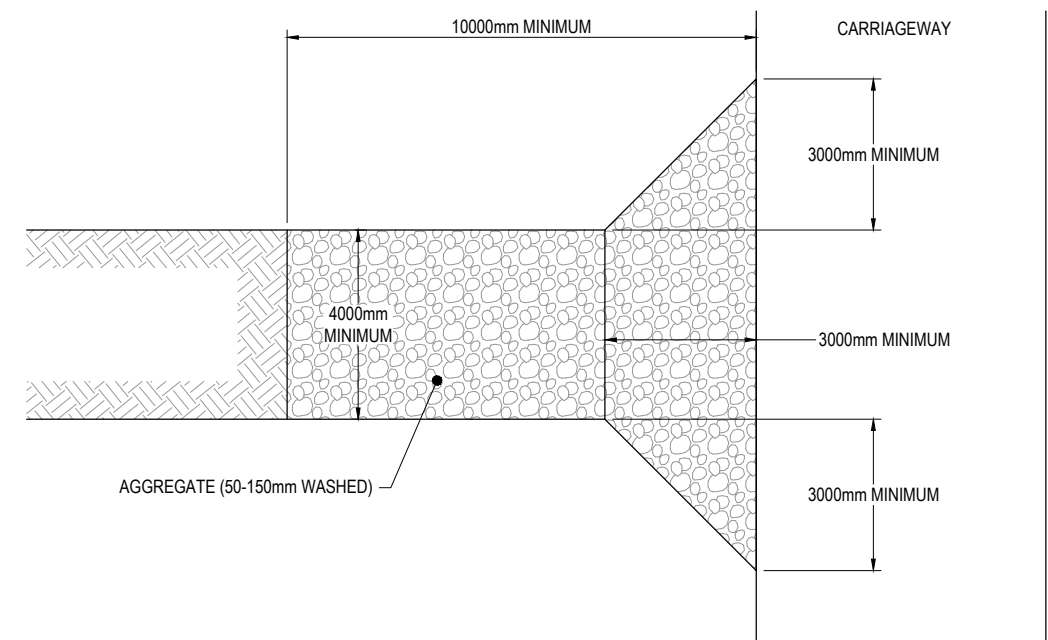
TP90 DESIGN CRITERIA FOR PIPE DROP STRUCTURE	
PIPE DIAMETER (mm)	MAXIMUM CATCHMENT AREA (ha)
150	0.05
300	0.20
450	0.60
500	1.00
600	1.00

SPECIFIC DESIGNS ARE REQUIRED FOR FLUME SIZING

PIPE DROP / FLUME STRUCTURE
NTS



SIDE ELEVATION



PLAN VIEW
STABILISED CONSTRUCTION ENTRANCE
NTS

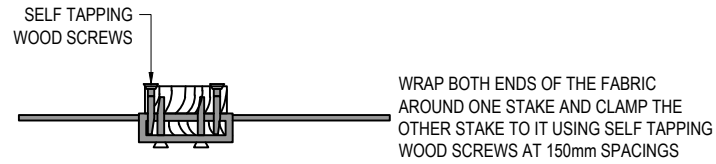
No	Revision	Note	Drawn	Checked	Approved	Date
0	ISSUED FOR RMA APPROVALS		WAS	JB*	BN*	07/19



DO NOT SCALE
Conditions of Use:
This document may only be used by The JV's client (and any other person who The JV has agreed can use this document) for the purpose for which it was prepared and must not be used by any other person or for any other purpose.

FOR RMA APPROVALS			
Drawn WAS	Drafting Check TC*	Designed RP	Design Check TC*
Approved BN*		Date JULY 2019	
Scale NTS		This Drawing must not be used for Construction unless signed as Approved	

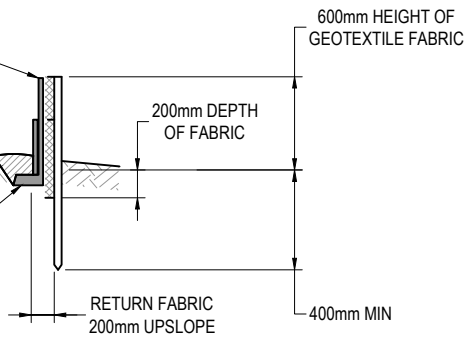
Project	WARKWORTH TO WELLSFORD PROJECT		
Title	CONSTRUCTION WATER MANAGEMENT TYPICAL CONCEPT DESIGN DETAILS		
Contract:	PA4156	Drawing No:	CW-074
Sheet:	3 OF 5	Rev:	0



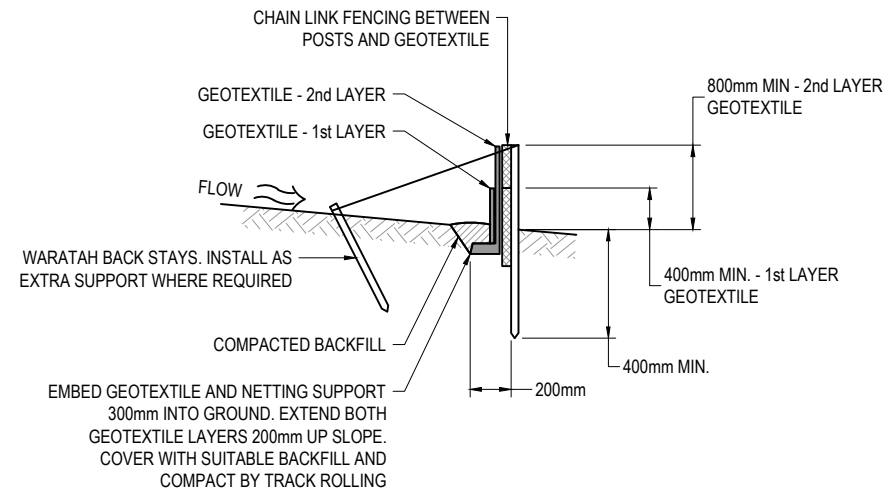
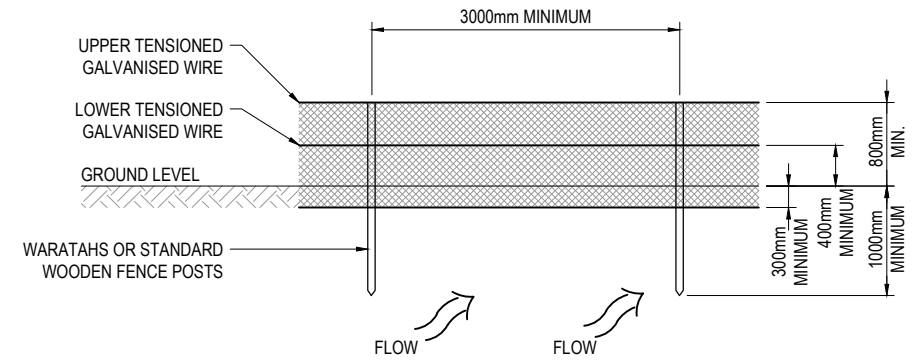
STANDARD DETAIL FOR FABRIC JOIN

WRAP BOTH ENDS OF THE FABRIC AROUND ONE STAKE AND CLAMP THE OTHER STAKE TO IT USING SELF TAPPING WOOD SCREWS AT 150mm SPACINGS

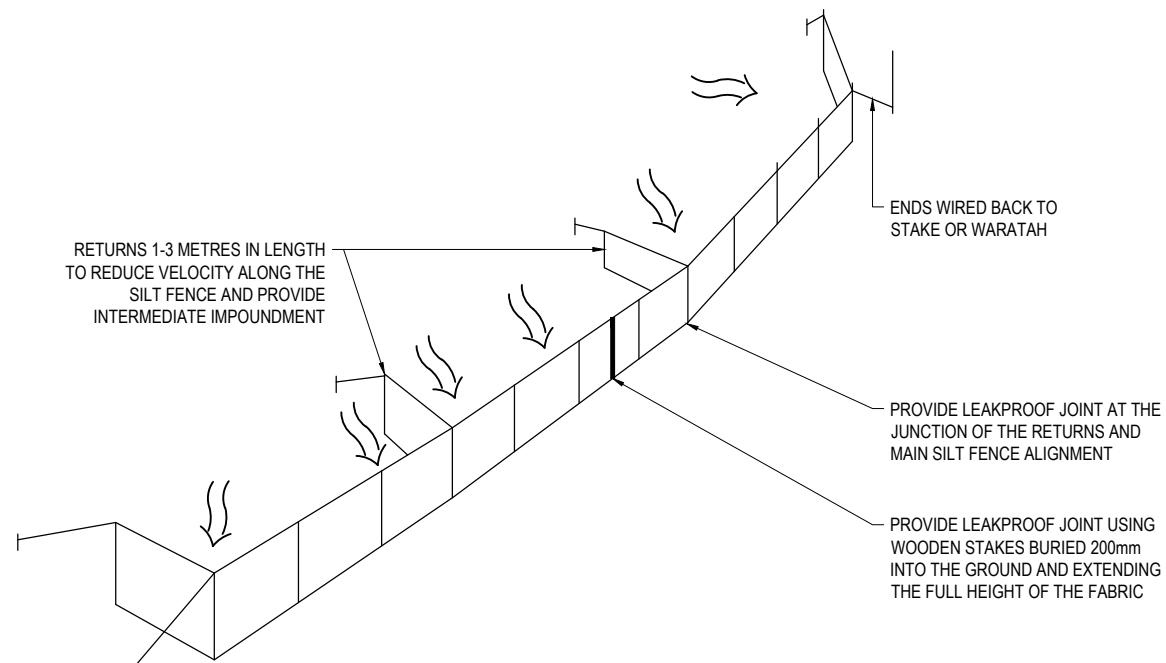
POST SPACING CAN BE INCREASED FROM 2000mm TO 4000mm IF SUPPORTED BY A 2.5mm DIAMETER HIGH TENSILE WIRE ALONG THE TOP WITH CLIPS EVERY 200mm



SILT FENCE
NTS



SUPER SILT FENCE
NTS



DETAIL - RETURNS AND SUPPORT WIRE FOR SILT FENCE & SUPER SILT FENCE
NTS

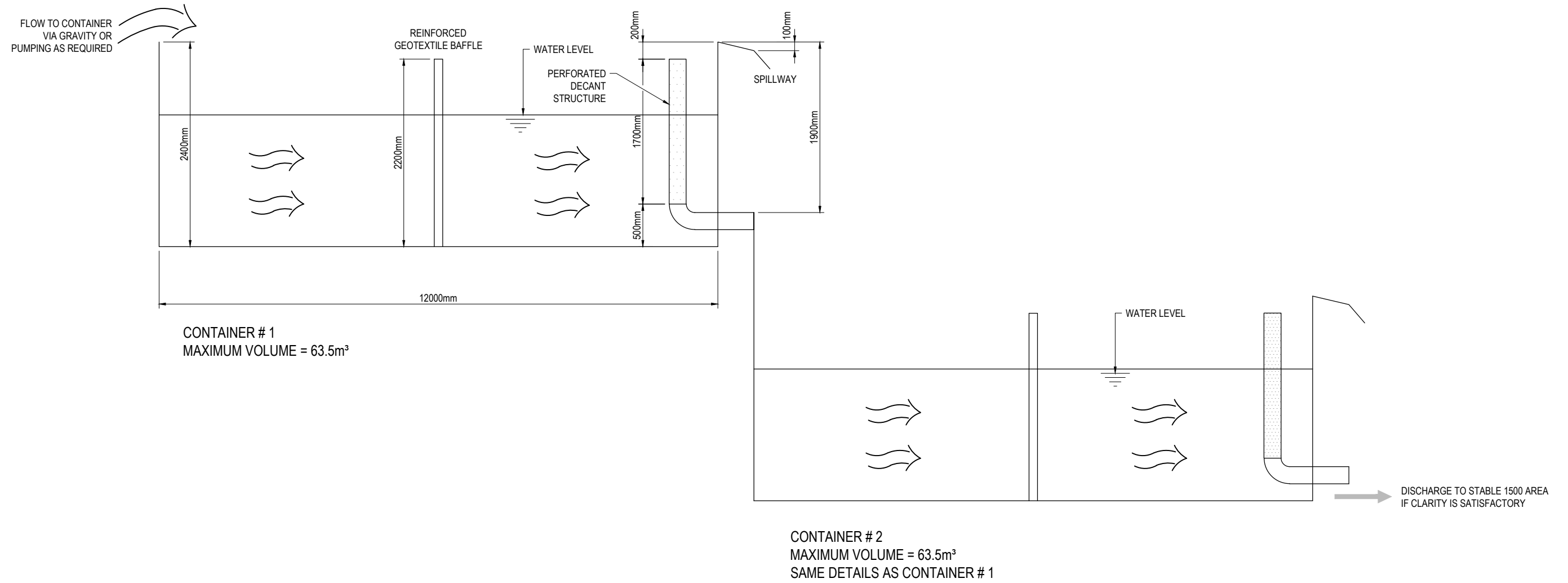
No	Revision	Note: * indicates signatures on original issue of drawing or last revision of drawing	Drawn	Checked	Approved	Date
0	ISSUED FOR RMA APPROVALS		WAS	JB*	BN*	07/19



DO NOT SCALE
Conditions of Use:
This document may only be used by The JV's client (and any other person who The JV has agreed can use this document) for the purpose for which it was prepared and must not be used by any other person or for any other purpose.

FOR RMA APPROVALS			
Drawn WAS	Drafting TC*	Designed RP	Design TC*
Approved BN*	Date JULY 2019		
Scale NTS	This Drawing must not be used for Construction unless signed as Approved		Original Size A1

Project	WARKWORTH TO WELLSFORD PROJECT		
Title	CONSTRUCTION WATER MANAGEMENT TYPICAL CONCEPT DESIGN DETAILS		
Contract:	PA4156	Drawing No:	CW-075
Sheet:	4 OF 5	Rev:	0



CONTAINER IMPOUNDMENT SYSTEM
NTS

NOTES:

1. DRAWINGS NOT TO SCALE. SCHEMATIC ONLY.
2. BAFFLE DESIGNED FROM REINFORCED GEOTEXTILE TO ALLOW FLOWS TO PASS.
3. STRUCTURAL INTEGRITY OF CONTAINERS WOULD REMAIN.
4. CONTAINER # 1 WILL BE POSITIONED 1900mm HIGHER THAN CONTAINER # 2. IF CONTOURS DO NOT ALLOW THIS THEN CONTAINER # 1 WILL BE ARTIFICIALLY RAISED BY 1900mm.
5. WATER CLARITY CAN BE CHECKED IN CONTAINER # 2 AND FLOCCULENT ADDED MANUALLY IF NECESSARY TO ACHIEVE WATER CLARITY.

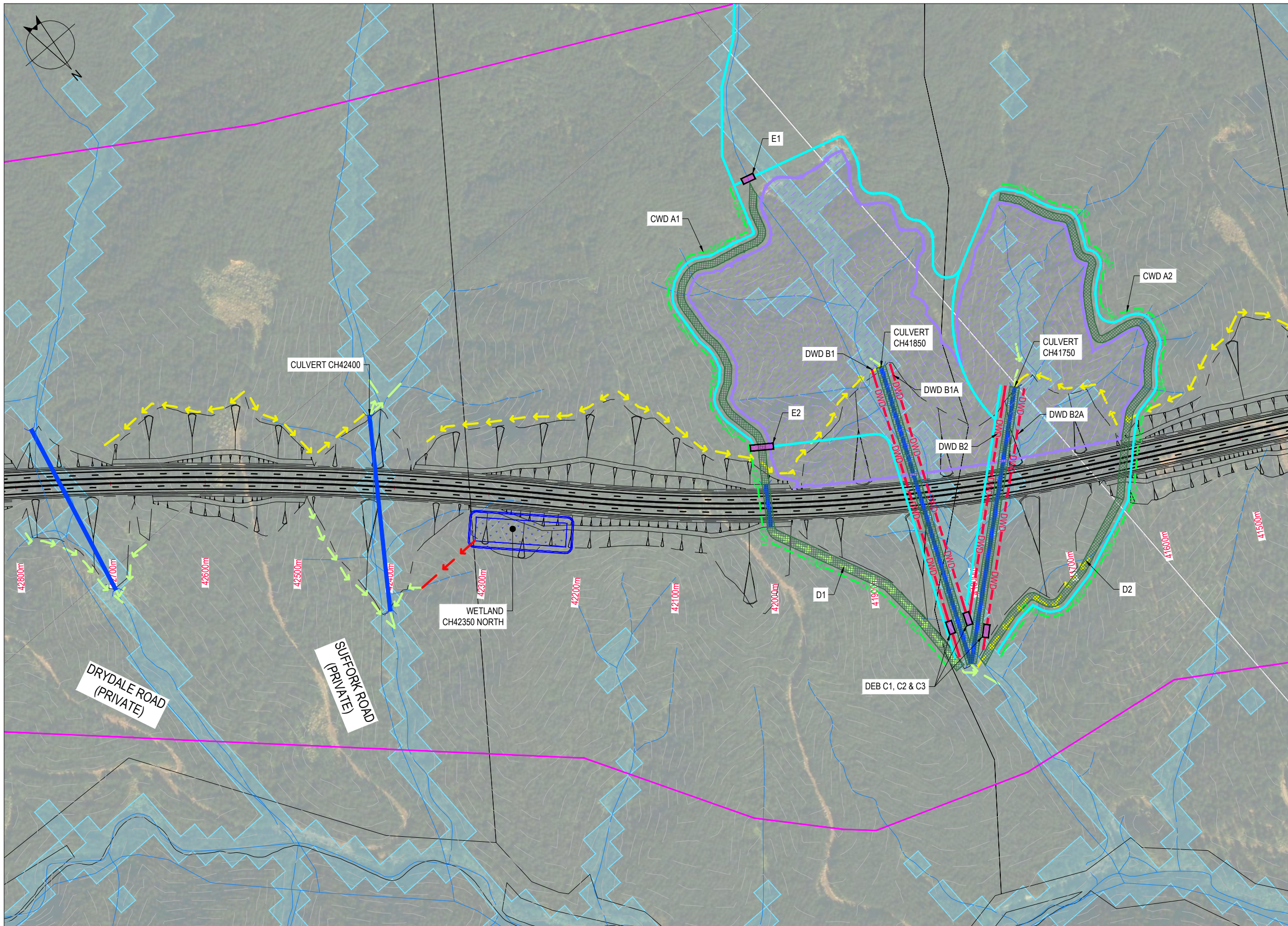
No	Revision	Note: * indicates signatures on original issue of drawing or last revision of drawing	Drawn	Checked	Approved	Date
0		ISSUED FOR RMA APPROVALS	WAS	JB*	BN*	07/19



DO NOT SCALE
Conditions of Use:
This document may only be used by The JV's client (and any other person who The JV has agreed can use this document) for the purpose for which it was prepared and must not be used by any other person or for any other purpose.

FOR RMA APPROVALS			
Drawn WAS	Drafting Check TC*	Designed RP	Design Check TC*
Approved BN*		Date JULY 2019	
Scale NTS	This Drawing must not be used for Construction unless signed as Approved		Original Size A1

Project	WARKWORTH TO WELLSFORD PROJECT		
Title	CONSTRUCTION WATER MANAGEMENT TYPICAL CONCEPT DESIGN DETAILS		
Contract:	PA4156	Drawing No:	CW-076
Sheet:	5 OF 5	Rev:	0

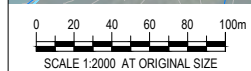


NOTES

1. FOR NOTES AND LEGEND, REFER TO DRAWING CW-001.
2. FOR SHEET LAYOUT PLANS, REFER TO DRAWINGS R-100.
3. CULVERT INFORMATION - REFER TO CULVERT SUMMARY TABLE (PROVIDED IN WATER ASSESSMENT REPORT).
4. WETLAND SHAPE IS INDICATIVE ONLY TO PRESENT PROPOSED LOCATION AND SIZING. SHAPING TO CONTOURS IS SUBJECT TO DETAILED DESIGN.
5. BOTTOM OF CUT TO BE WIDENED LOCALLY TO INTEGRATE WETLAND SHOWN WITHIN CUT PROFILE.
6. ALL WORKS TO OCCUR OUTSIDE OF ANY STREAM CHANNEL

LEGEND:

- POTENTIAL SOIL DISPOSAL SITE
- SITE ACCESS
- TEMPORARY STREAM DIVERSION
- VEGETATION CLEARANCE
- DRY WATER DIVERSION (DWD)
- CLEAN WATER DIVERSION (CWD)
- SUPER SILT FENCE
- GULLY DRAIN
- DECANTING EARTH BUND (DEB)
- SEDIMENT RETENTION POND (SRP)



STAGE 1
SCALE 1:2000

ALL INFORMATION SHOWN IS SUBJECT TO FINAL DESIGN AND THE DETAILS MAY CHANGE. AREAS AND MEASUREMENTS ARE SUBJECT TO SURVEY

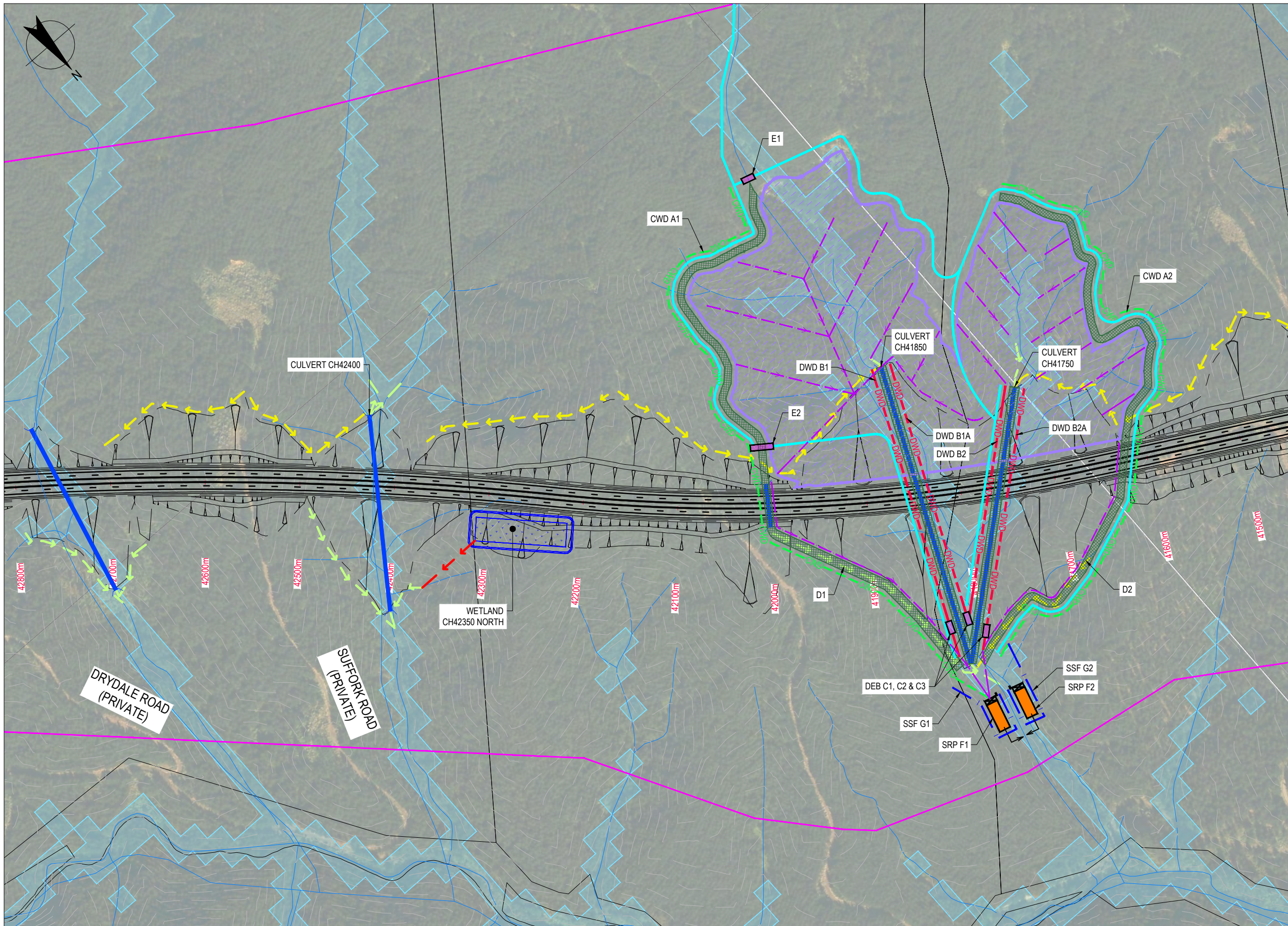
No	Revision	Note: * indicates signatures on original issue of drawing or last revision of drawing	Drawn	Checked	Approved	Date
0	ISSUED FOR RMA APPROVALS		WAS	JB*	BN*	07/19



DO NOT SCALE
Conditions of Use:
This document may only be used by The JV's client (and any other person who The JV has agreed can use this document) for the purpose for which it was prepared and must not be used by any other person or for any other purpose.

FOR RMA APPROVALS			
Drawn WAS	Drafting TC* Check	Designed RP	Design TC* Check
Approved BN*	Date JULY 2019		
Scale AS SHOWN	This Drawing must not be used for Construction unless signed as Approved		Original Size A1

Project	WARKWORTH TO WELLSFORD PROJECT		
Title	SOIL DISPOSAL SITE ESTABLISHMENT CONCEPTUAL - METHODOLOGY STAGING PLAN		
Contract:	PA4156	Drawing No:	CW-081
Sheet:	1 OF 4	Rev:	0

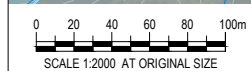


NOTES

- FOR NOTES AND LEGEND, REFER TO DRAWING CW-001.
- FOR SHEET LAYOUT PLANS, REFER TO DRAWINGS R-100.
- CULVERT INFORMATION - REFER TO CULVERT SUMMARY TABLE (PROVIDED IN WATER ASSESSMENT REPORT).
- WETLAND SHAPE IS INDICATIVE ONLY TO PRESENT PROPOSED LOCATION AND SIZING. SHAPING TO CONTOURS IS SUBJECT TO DETAILED DESIGN.
- BOTTOM OF CUT TO BE WIDENED LOCALLY TO INTEGRATE WETLAND SHOWN WITHIN CUT PROFILE.
- ALL WORKS TO OCCUR OUTSIDE OF ANY STREAM CHANNEL

LEGEND:

- POTENTIAL SOIL DISPOSAL SITE
- SITE ACCESS
- TEMPORARY STREAM DIVERSION
- VEGETATION CLEARANCE
- DRY WATER DIVERSION (DWD)
- CLEAN WATER DIVERSION (CWD)
- SUPER SILT FENCE
- GULLY DRAIN
- DECANTING EARTH BUND (DEB)
- SEDIMENT RETENTION POND (SRP)



STAGE 2
SCALE 1:2000

ALL INFORMATION SHOWN IS SUBJECT TO FINAL DESIGN AND THE DETAILS MAY CHANGE. AREAS AND MEASUREMENTS ARE SUBJECT TO SURVEY

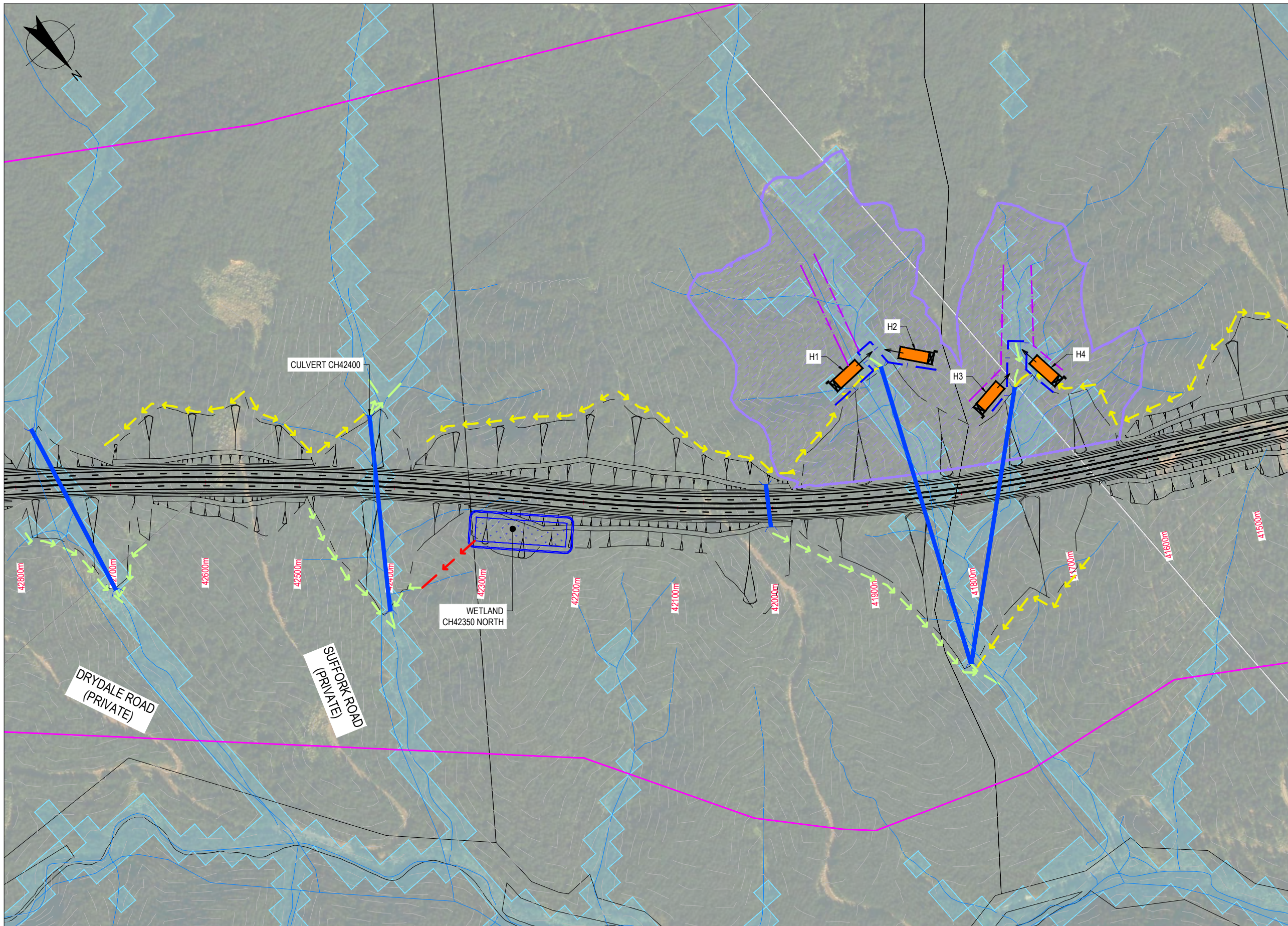
No	Revision	Note: * indicates signatures on original issue of drawing or last revision of drawing	Drawn	Checked	Approved	Date
0	ISSUED FOR RMA APPROVALS		WAS	JB*	BN*	07/19



DO NOT SCALE
Conditions of Use:
This document may only be used by The JV's client (and any other person who The JV has agreed can use this document) for the purpose for which it was prepared and must not be used by any other person or for any other purpose.

FOR RMA APPROVALS			
Drawn WAS	Drafting TC* Check	Designed RP	Design TC* Check
Approved BN*	Date JULY 2019		Original Size
Scale AS SHOWN	This Drawing must not be used for Construction unless signed as Approved		A1

Project	WARKWORTH TO WELLSFORD PROJECT		
Title	SOIL DISPOSAL SITE ESTABLISHMENT CONCEPTUAL - METHODOLOGY STAGING PLAN		
Contract:	PA4156	Drawing No:	CW-082
Sheet:	2 OF 4	Rev:	0



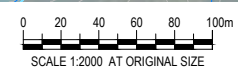
NOTES

1. FOR NOTES AND LEGEND, REFER TO DRAWING CW-001.
2. FOR SHEET LAYOUT PLANS, REFER TO DRAWINGS R-100.
3. CULVERT INFORMATION - REFER TO CULVERT SUMMARY TABLE (PROVIDED IN WATER ASSESSMENT REPORT).
4. WETLAND SHAPE IS INDICATIVE ONLY TO PRESENT PROPOSED LOCATION AND SIZING. SHAPING TO CONTOURS IS SUBJECT TO DETAILED DESIGN.
5. BOTTOM OF CUT TO BE WIDENED LOCALLY TO INTEGRATE WETLAND SHOWN WITHIN CUT PROFILE.
6. ALL WORKS TO OCCUR OUTSIDE OF ANY STREAM CHANNEL

LEGEND:

- POTENTIAL SOIL DISPOSAL SITE
- SITE ACCESS
- TEMPORARY STREAM DIVERSION
- VEGETATION CLEARANCE
- DRY WATER DIVERSION (DWD)
- CLEAN WATER DIVERSION (CWD)
- SUPER SILT FENCE
- GULLY DRAIN
- DECANTING EARTH BUND (DEB)
- SEDIMENT RETENTION POND (SRP)

ALL INFORMATION SHOWN IS SUBJECT TO FINAL DESIGN AND THE DETAILS MAY CHANGE. AREAS AND MEASUREMENTS ARE SUBJECT TO SURVEY



STAGE 3
SCALE 1:2000

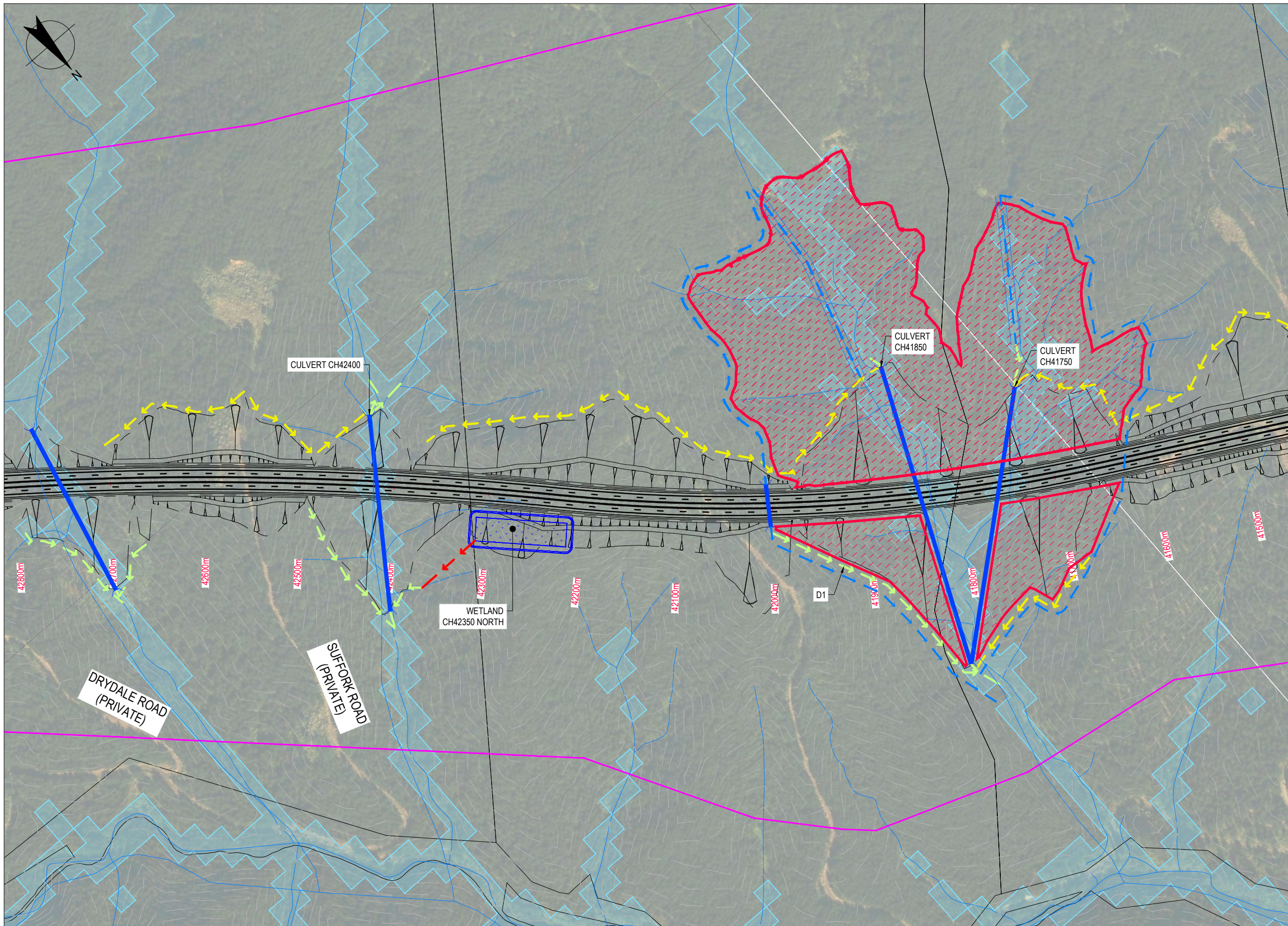
No	Revision	Note: * indicates signatures on original issue of drawing or last revision of drawing	Drawn	Checked	Approved	Date
0	ISSUED FOR RMA APPROVALS		WAS	JB*	BN*	07/19



DO NOT SCALE
Conditions of Use:
This document may only be used by The JV's client (and any other person who The JV has agreed can use this document) for the purpose for which it was prepared and must not be used by any other person or for any other purpose.

FOR RMA APPROVALS			
Drawn WAS	Drafting TC* Check	Designed RP	Design TC* Check
Approved BN*	Date JULY 2019		Original Size
Scale AS SHOWN	This Drawing must not be used for Construction unless signed as Approved		A1

Project	WARKWORTH TO WELLSFORD PROJECT		
Title	SOIL DISPOSAL SITE ESTABLISHMENT CONCEPTUAL - METHODOLOGY STAGING PLAN		
Contract:	PA4156	Drawing No:	CW-083
Sheet:	3 OF 4	Rev:	0

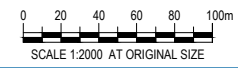


NOTES

1. FOR NOTES AND LEGEND, REFER TO DRAWING CW-001.
2. FOR SHEET LAYOUT PLANS, REFER TO DRAWINGS R-100.
3. CULVERT INFORMATION - REFER TO CULVERT SUMMARY TABLE (PROVIDED IN WATER ASSESSMENT REPORT).
4. WETLAND SHAPE IS INDICATIVE ONLY TO PRESENT PROPOSED LOCATION AND SIZING. SHAPING TO CONTOURS IS SUBJECT TO DETAILED DESIGN.
5. BOTTOM OF CUT TO BE WIDENED LOCALLY TO INTEGRATE WETLAND SHOWN WITHIN CUT PROFILE.
6. ALL WORKS TO OCCUR OUTSIDE OF ANY STREAM CHANNEL

LEGEND:

- POTENTIAL SOIL DISPOSAL SITE
- SITE ACCESS
- TEMPORARY STREAM DIVERSION
- VEGETATION CLEARANCE
- DRY WATER DIVERSION (DWD)
- CLEAN WATER DIVERSION (CWD)
- SUPER SILT FENCE
- GULLY DRAIN
- DECANTING EARTH BUND (DEB)
- SEDIMENT RETENTION POND (SRP)



STAGE 4
SCALE 1:2000

ALL INFORMATION SHOWN IS SUBJECT TO FINAL DESIGN AND THE DETAILS MAY CHANGE. AREAS AND MEASUREMENTS ARE SUBJECT TO SURVEY

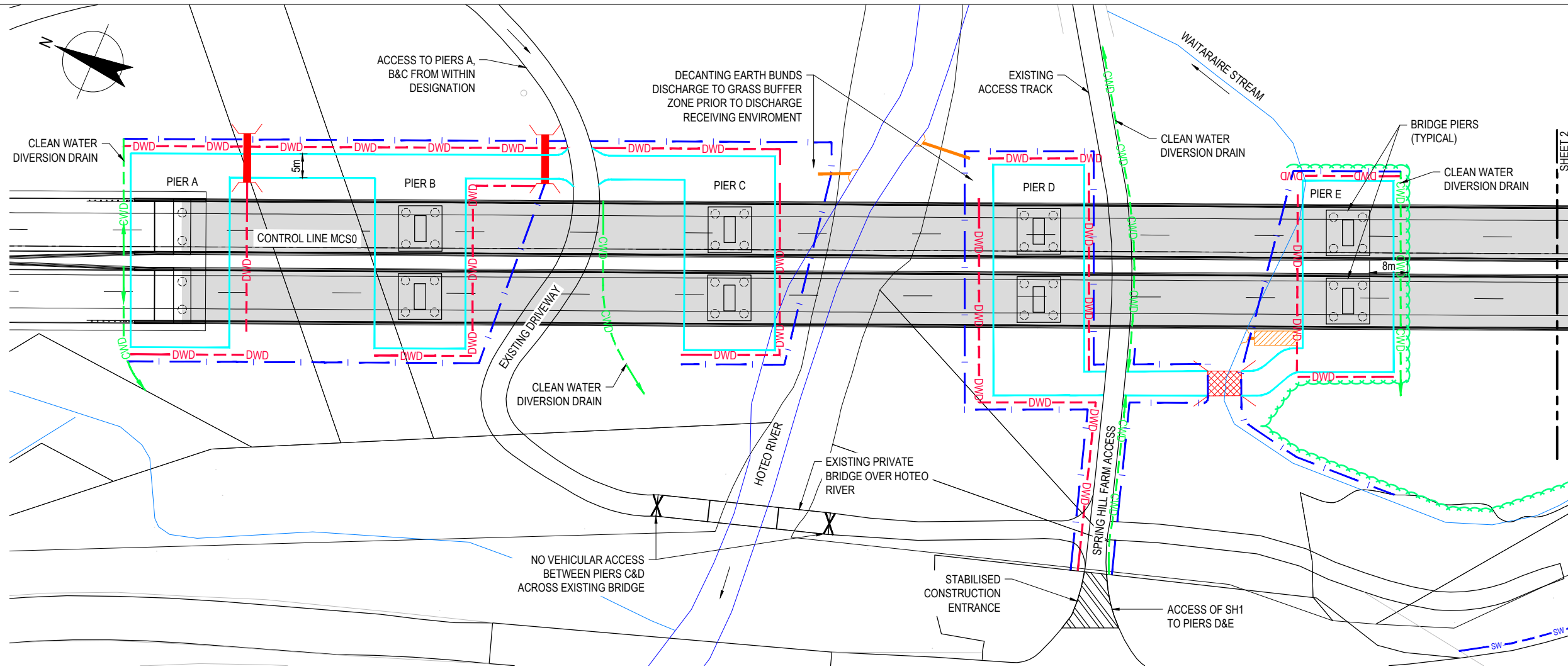
No	Revision	Note	Drawn	Checked	Approved	Date
0	ISSUED FOR RMA APPROVALS		WAS	JB*	BN*	07/19



DO NOT SCALE
Conditions of Use:
This document may only be used by The JV's client (and any other person who The JV has agreed can use this document) for the purpose for which it was prepared and must not be used by any other person or for any other purpose.

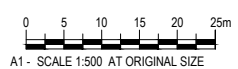
FOR RMA APPROVALS			
Drawn WAS	Drafting TC* Check	Designed RP	Design TC* Check
Approved BN*	Date JULY 2019		
Scale AS SHOWN	This Drawing must not be used for Construction unless signed as Approved		Original Size A1

Project	WARKWORTH TO WELLSFORD PROJECT		
Title	SOIL DISPOSAL SITE ESTABLISHMENT CONCEPTUAL - METHODOLOGY STAGING PLAN		
Contract:	PA4156	Drawing No:	CW-084
Sheet:	4 OF 4	Rev:	0



- LEGEND:**
- DECANTING EARTH BUND
 - DRY WATER DIVERSION DRAIN
 - CLEAN WATER DIVERSION DRAIN
 - SUPER SILT FENCE
 - SITE ACCESS TRACK
 - TEMPORARY BRIDGE CROSSING
 - DIRTY WATER PIPED BENEATH ACCESS TRACK AND/OR SUPER SILT FENCE
 - STABILISED CONSTRUCTION ENTRANCE

PLAN
SCALE 1:500



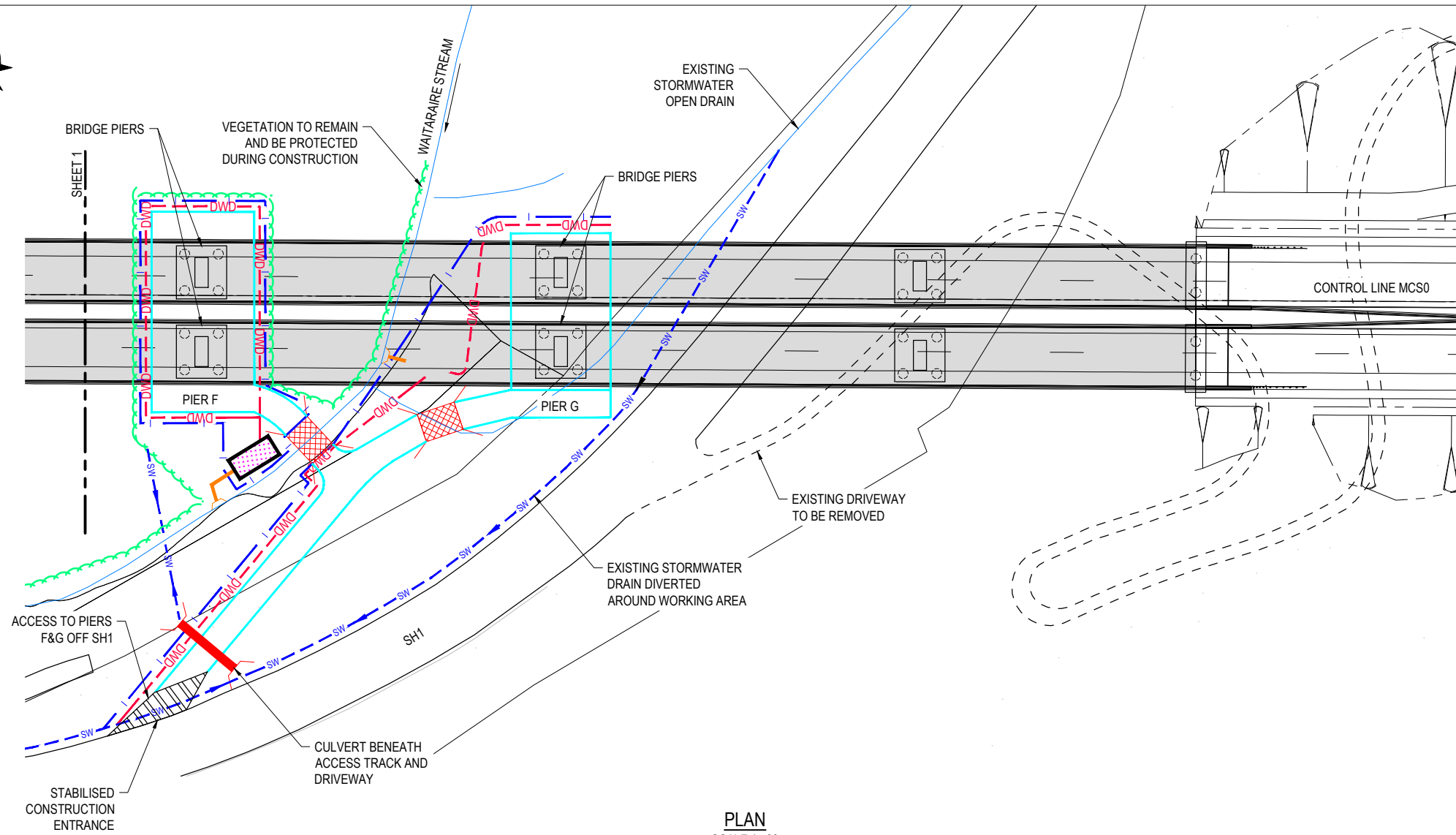
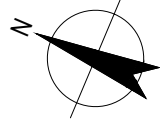
No	Revision	Note: * indicates signatures on original issue of drawing or last revision of drawing	Drawn	Checked	Approved	Date
0	ISSUED FOR RMA APPROVALS		WAS	JB*	BN*	07/19



DO NOT SCALE
Conditions of Use:
This document may only be used by The JV's client (and any other person who The JV has agreed can use this document) for the purpose for which it was prepared and must not be used by any other person or for any other purpose.

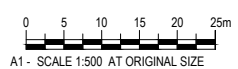
FOR RMA APPROVALS			
Drawn WAS	Drafting Check TC*	Designed RP	Design Check TC*
Approved BN*		Date JULY 2019	
Scale AS SHOWN		This Drawing must not be used for Construction unless signed as Approved	

Project	WARKWORTH TO WELLSFORD PROJECT		
Title	INDICATIVE ESC MEASURES - BRIDGE 11 PLAN AND ELEVATION		
Contract:	PA4156	Drawing No:	CW-086
Sheet:	1 OF 2	Rev:	0



- LEGEND:**
- DECANTING EARTH BUND
 - DRY WATER DIVERSION DRAIN
 - CLEAN WATER DIVERSION DRAIN
 - SUPER SILT FENCE
 - SITE ACCESS TRACK
 - TEMPORARY BRIDGE CROSSING
 - DIRTY WATER PIPED BENEATH ACCESS TRACK AND/OR SUPER SILT FENCE
 - STABILISED CONSTRUCTION ENTRANCE

PLAN
SCALE 1:500



A1 - SCALE 1:500 AT ORIGINAL SIZE

0	ISSUED FOR RMA APPROVALS	WAS	JB*	BN*	07/19	
No	Revision	Note: * indicates signatures on original issue of drawing or last revision of drawing	Drawn	Checked	Approved	Date



DO NOT SCALE
Conditions of Use:
This document may only be used by The JV's client (and any other person who The JV has agreed can use this document) for the purpose for which it was prepared and must not be used by any other person or for any other purpose.

FOR RMA APPROVALS			
Drawn WAS	Drafting TC*	Designed RP	Design TC*
Approved BN*		Date JULY 2019	
Scale AS SHOWN		This Drawing must not be used for Construction unless signed as Approved	Original Size A1

Project	WARKWORTH TO WELLSFORD PROJECT			
Title	INDICATIVE ESC MEASURES - BRIDGE 11 PLAN AND ELEVATION			
Contract:	PA4156	Drawing No:	CW-087	Sheet: 2 OF 2
Rev:	0			