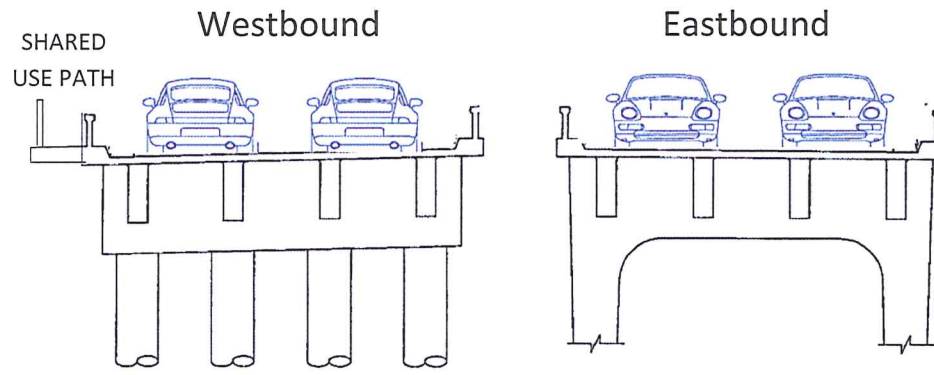
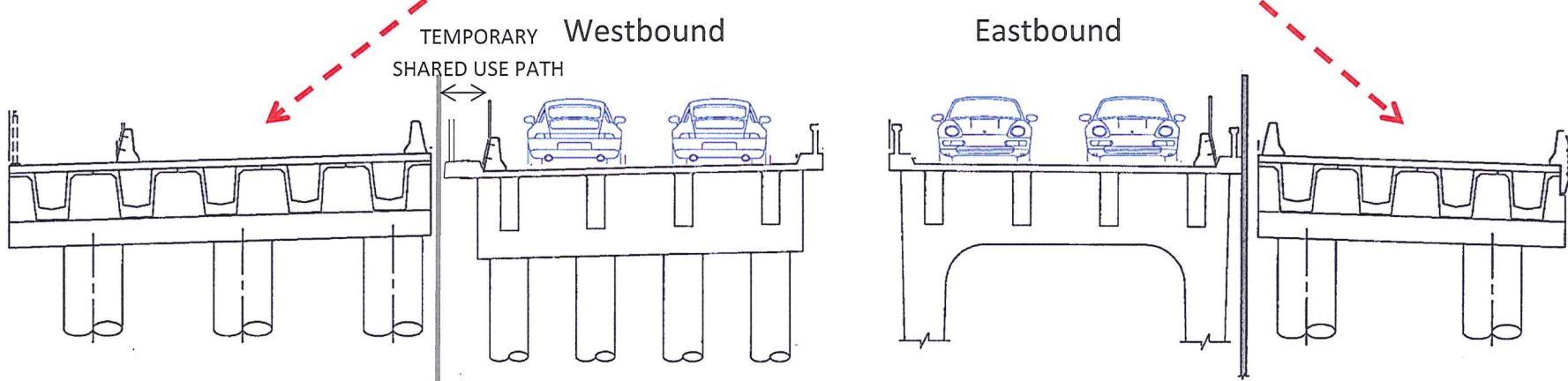


HENDERSON CREEK BRIDGE – Construction Phases

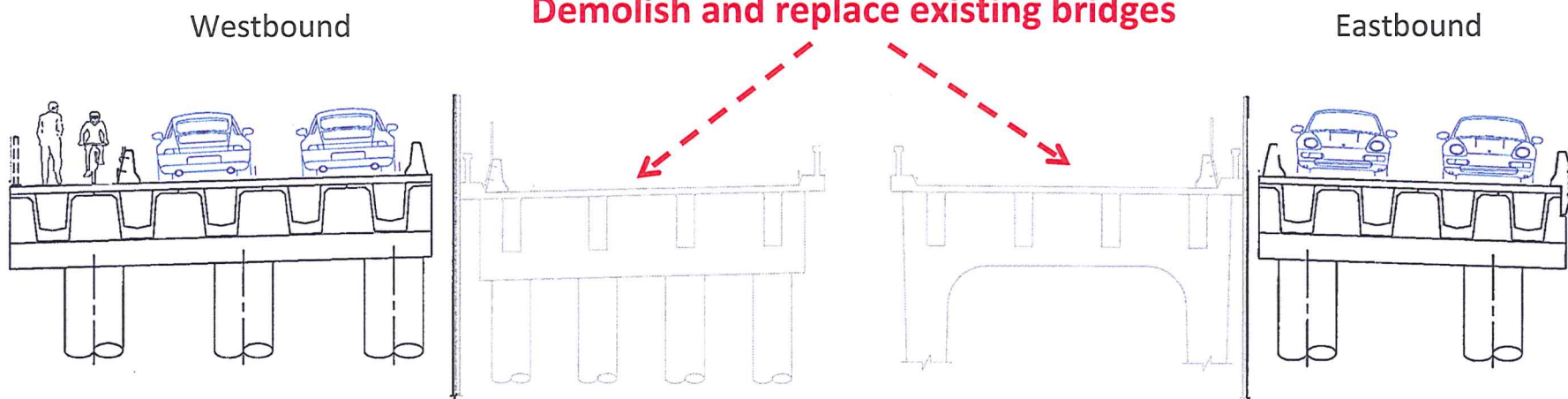
Existing Arrangement



Construct new outer lanes of Henderson Creek Bridge



Demolish and replace existing bridges



Completed widened bridge

